

FRQS-16A V2

frequency converter, 208-480V, 7,5kW, 16A, IP54, sine filter
Variant: 3~ 50/60Hz

Speed controller with 0-10V input for 3~ fans equipped with all pole sine filter
Maximum factory-set output frequency: 50Hz

The FRQS/FRQ5S frequency inverters have integrated all pole sine filters as standard. Therefore there is no need for shielded cables for the installation. This makes the unit also perfectly suited to retrofit into existing systems. The sine filters enable existing non-shielded cables to be retained. This units also reliably control motors which, due to their design, are not usually considered suitable for frequency inverter operation i.e. external rotor motors.

Save and trouble free motor operation with integrated, all pole effective sine filter

Analog input for external speed setup value(0-10 V, 0-20 mA, PWM)

10V DC output for external potentiometer

Potential-free operation notification

Enable contact section for a stand-by switch or electronic reset

Motor protection by connecting thermostats "TB" or thermistors "TP"

Interference emission EN 61000-6-3

Interference immunity EN 61000-6-2

Complete range in IP54

Trouble free parallel operation of motors

No danger to the motors through voltage peaks, bearing current, etc.

No limit of motor cable length

Retrofit in installations with existent wiring(unshielded cables)

Operation without electromagnetic motor noise

Wide voltage range 3~ 208V-480V, 50/60Hz

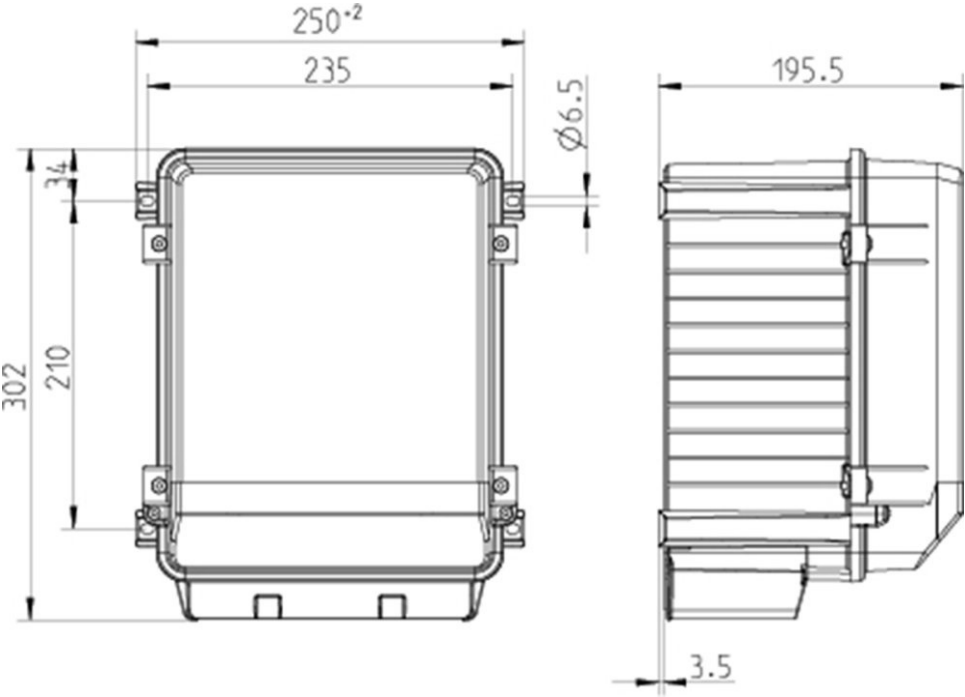
When operating with Explosion proof fans the FRQ has to be placed outside the EX zone!



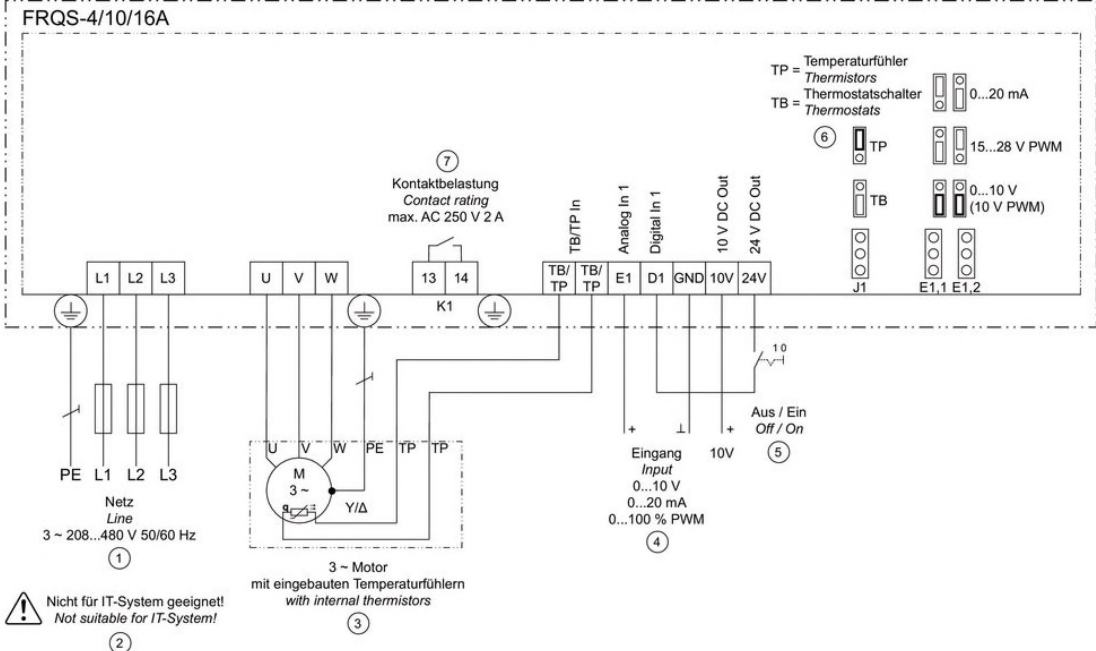
Technical parameters

Nominal data		
Rated voltage	208 to 480	V
Frequency	50; 60	Hz
Phase(s)	3~	
Maximum current	16	A
Protection/Classification		
Enclosure class	IP54	
Controller and Sensors		
Recommended fuse	20 A	
Permitted humidity, non-condensing	max 85	%RH
Permitted ambient temperature	max 40	°C
Dimensions and weights		
Weight	7	kg

Dimension



Wiring



- 1 Line 3 ~ 208 V...480 V, 50/60 Hz
- 2 Not suitable for IT system!
- 3 3 ~ Motor with internal thermistors
- 4 input: 0...10 V, 0...20 mA, 0...100 % PWM
- 5 Enable Device Off / On
- 6 TP = thermistors, TB = thermostats
- 7 Contact rating max. 2 A / 250 V AC