



#### Centrifugal fan model EUM, Es.4

Single inlet fan, direct driven with an IEC-standard motor in form B3 which is mounted on a motorbase. The overhang impeller is mounted on the motor shaft and has backwardly curved blades. The blades are welded between the back plate disc and the aerodynamically formed front plate. The robust industrial fan is totally made of steel and painted in the agate grey color RAL 7038. The fan is suitable for the transportation of clean and slightly dusty air.

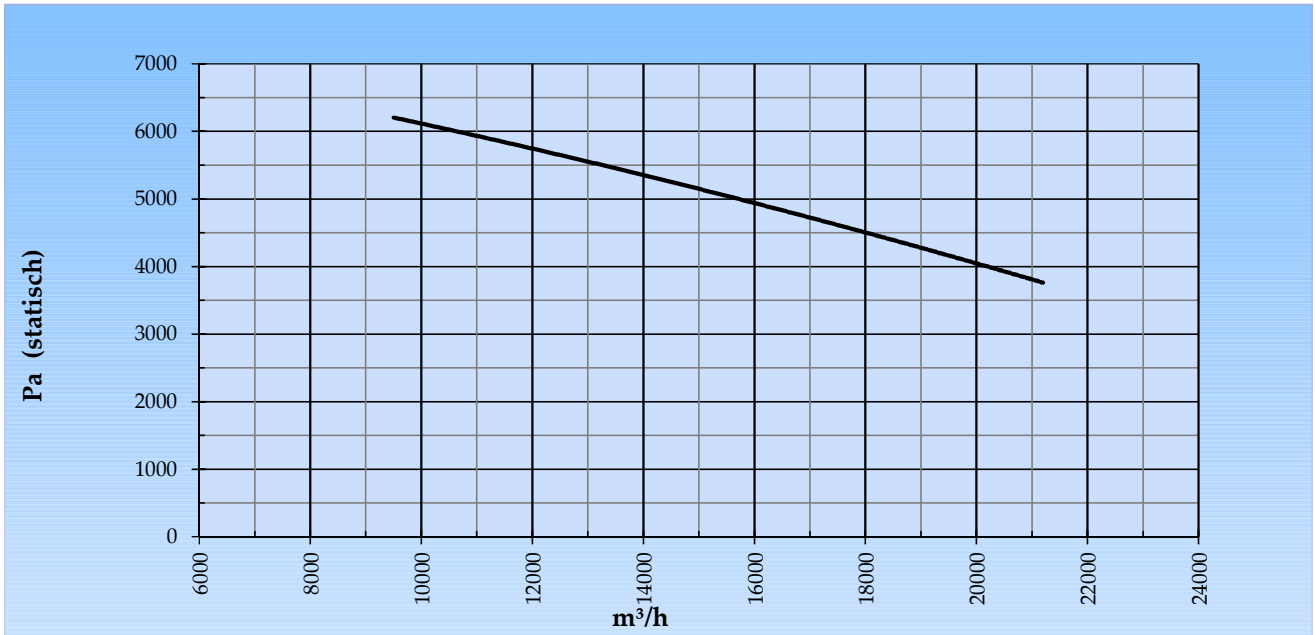
#### General data:

Drive	direct	
Motor position	horizontal	
Material casing/base	Steel	
Material impeller/hub	Steel	
Coating/protection	RAL 7038	
Operating temperature (max.)	15 (80)	°C
Medium density (altitude 0 m)	1,226	kg/m <sup>3</sup>
Impeller speed	2.960	rpm
Weight	471	kg
Sound pressure level ±3 (at 1,5 m near the fan with inlet and outlet ducted, in free field)	88	dB(A)

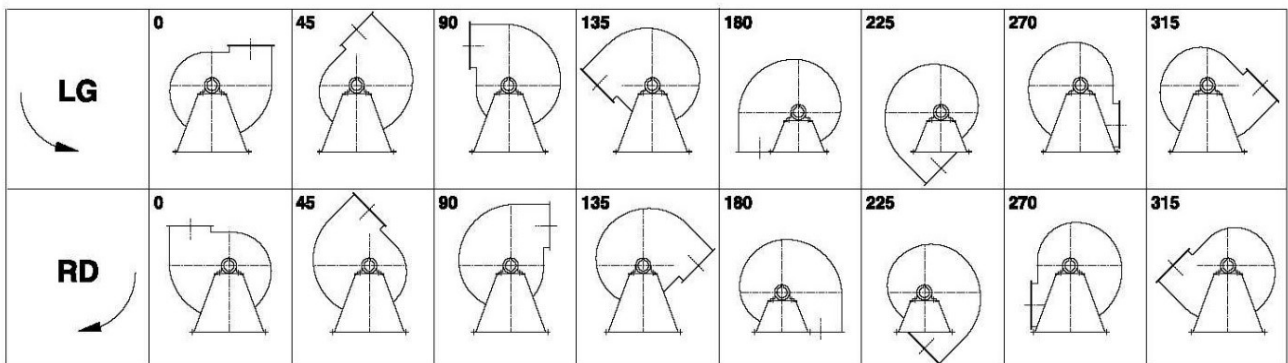
#### Electric motor:

	200L	IEC
Power	37,0	kW
Motor speed	2.960	rpm
Electric supply	3x400V50Hz	V/Hz
Full load current	67,8	A
Enclosure	55	IP
Shape	B3T	
Efficiency class	IE3	

Curve EUM 631 @ 2960rpm @ 15°C @ 0m



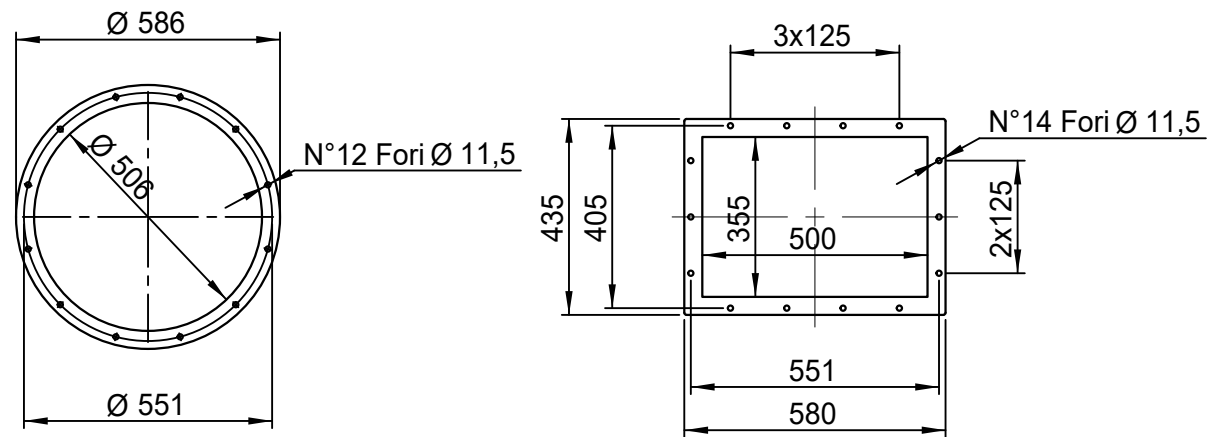
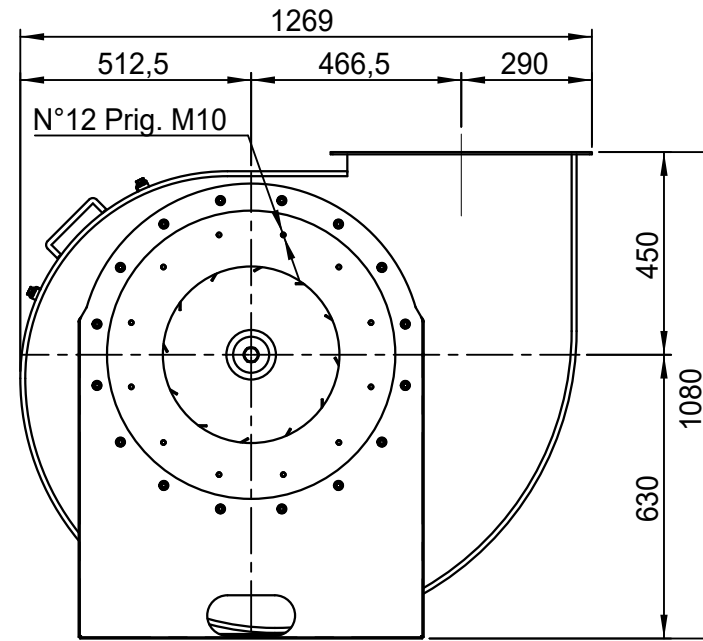
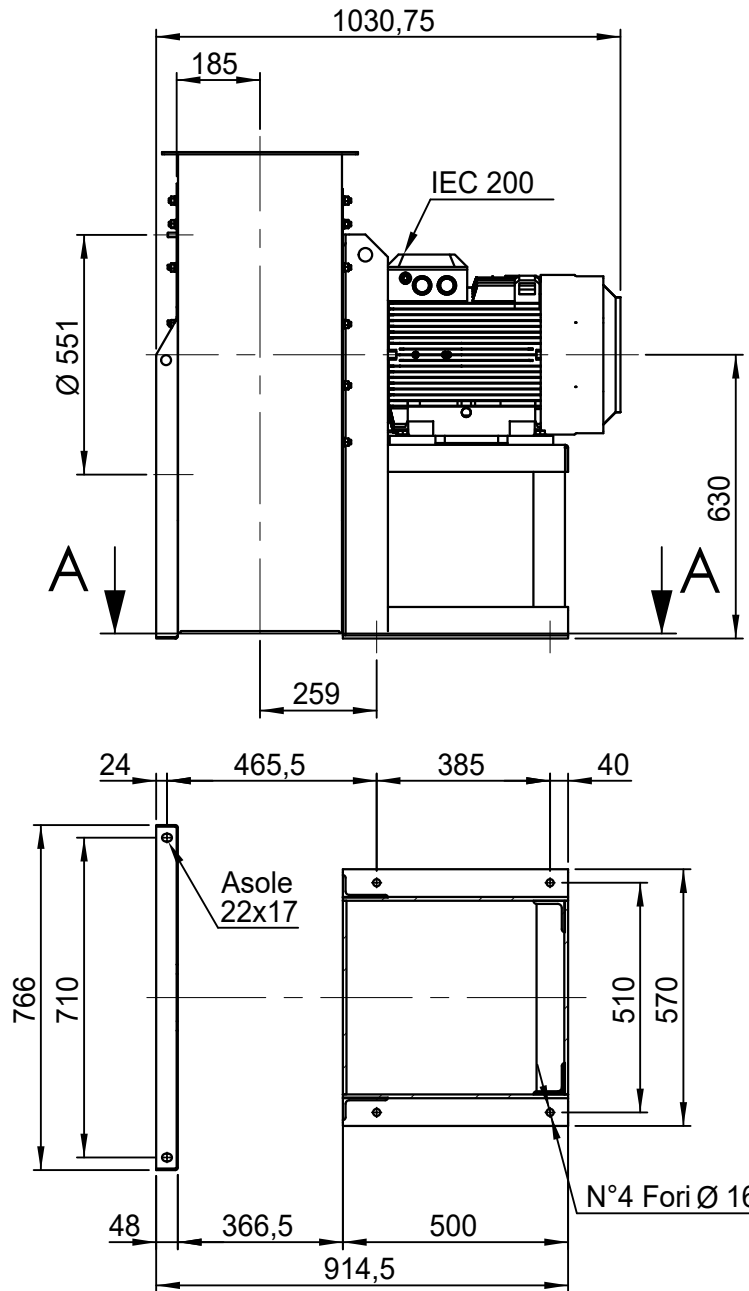
Possible discharge positions:



\* (Pos 180 and 225 extra price)

Possible accessories

Mounting profiles for load distribution	--
Counterflange inlet/outlet	
Flexible connection inlet/outlet max. 80°C	zz Ø 560 / pz Ø 630
Anti-vibration mountings	6x 50x40/B/70°ShA
Inspectiondoor	
Drain	
Shaft seal without asbestos	
Coolingwheel (medium max. 150°C)	( incl. coating RAL9006 )
Flexible connection inlet/outlet max. 150°C	zz Ø 560 / pz Ø 630
ATEX version	Zone 1 / 2 / 21 / 22
ATEX motor	Ex nA / Exe / Ex de
Coating suitable for outdoor application	RAL 5010 / RAL ....
Stainless steel version	304 / 316 / ...
Acoustic enclosure	



DESCRIZIONE - DESCRIPTION	SCALA	1:16	DISEGNATO - PREPARED	FORMATO
	DATA	10/07/2015	Duregotti P.	A4
EUM 631 - RD 0	SOSTITUISCE IL - REPLACED THE N° AEUM631A411A000			
	SOSTITUITO DAL - REPLACES BY N°			
Copy 13-7-2020	N.DISEGNO - N.DRAWING		REV.	
Slingerland ventilatoren		V1EUM631A0011		00