

Centrifugal fan model EU, Es.4

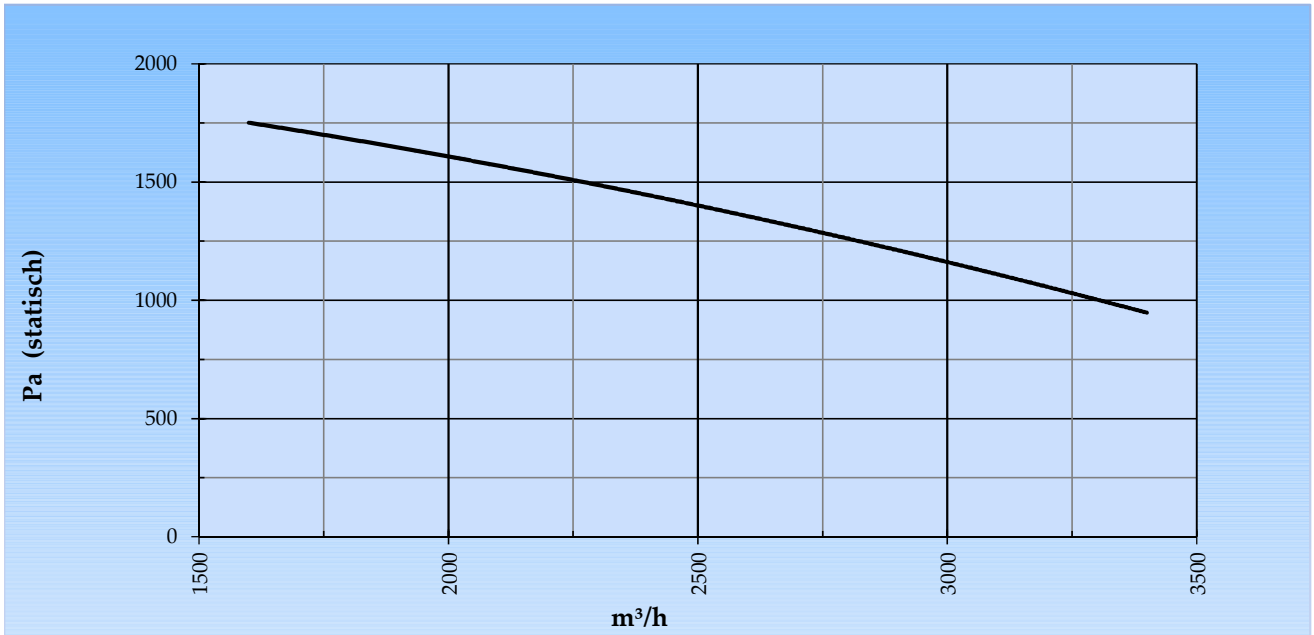
Single inlet fan, direct driven with an IEC-standard motor in form B3 which is mounted on a motorbase. The overhang impeller is mounted on the motor shaft and has backwardly curved blades. The blades are welded between the back plate disc and the aerodynamically formed front plate. The robust industrial fan is totally made of steel and painted in the agate grey color RAL 7038. The fan is suitable for the transportation of clean and slightly dusty air.

General data:

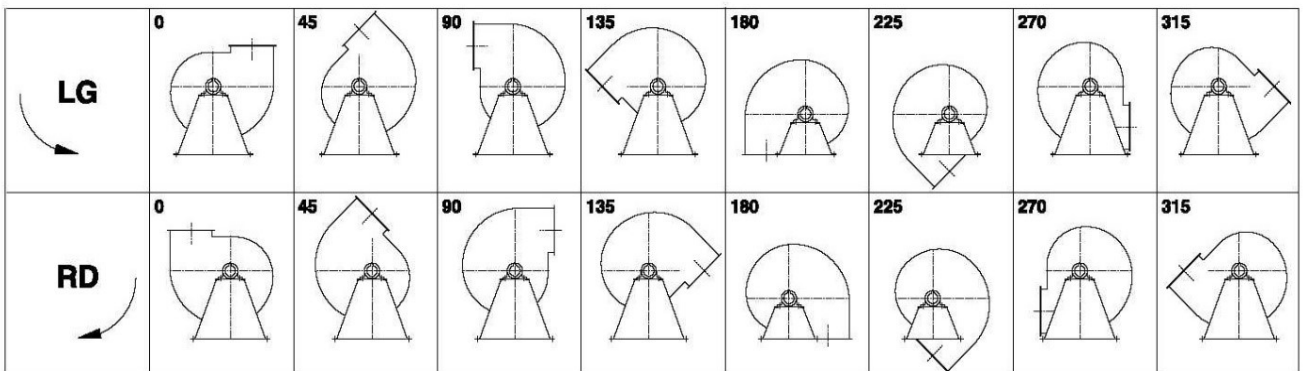
Drive	direct	
Motor position	horizontal	
Material casing/base	Steel	
Material impeller/hub	Steel	
Coating/protection	RAL 7038	
Operating temperature (max.)	15 (80)	°C
Medium density (altitude 0 m)	1,226	kg/m ³
Impeller speed	2.875	rpm
Weight	60	kg
Sound pressure level ±3 (at 1,5 m near the fan with inlet and outlet ducted, in free field)	72	dB(A)

Electric motor:	90S	IEC
Power	1,50	kW
Motor speed	2.875	rpm
Electric supply	3x400V50Hz	V/Hz
Full load current	3,09	A
Enclosure	55	IP
Shape	B3T	
Efficiency class	IE3	

Curve EU 352 @ 2875rpm @ 15°C @ 0m



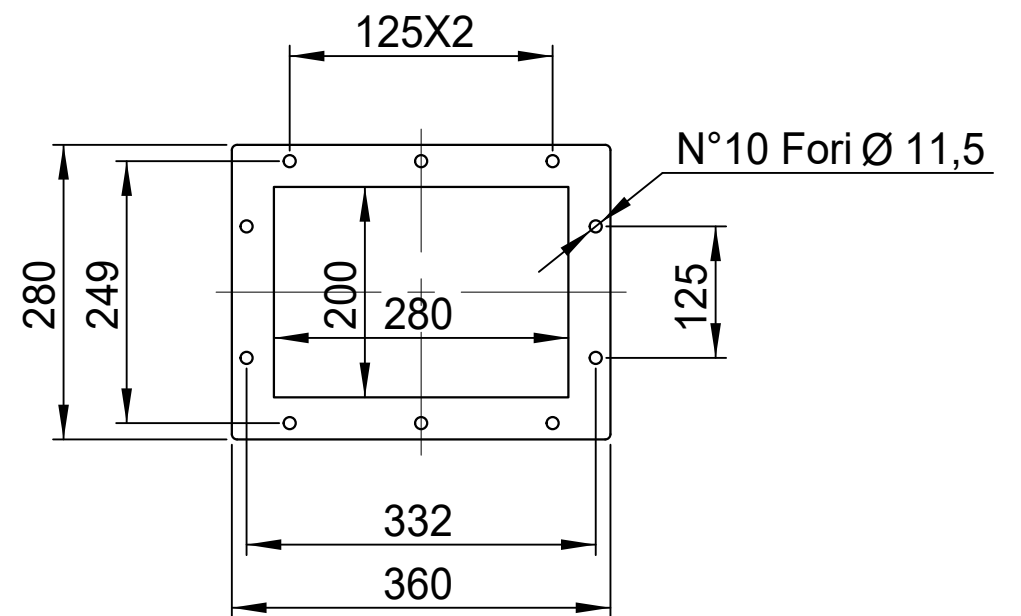
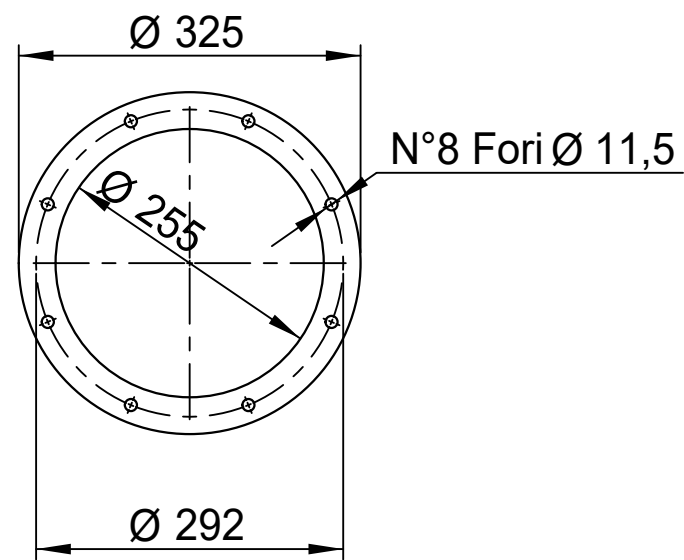
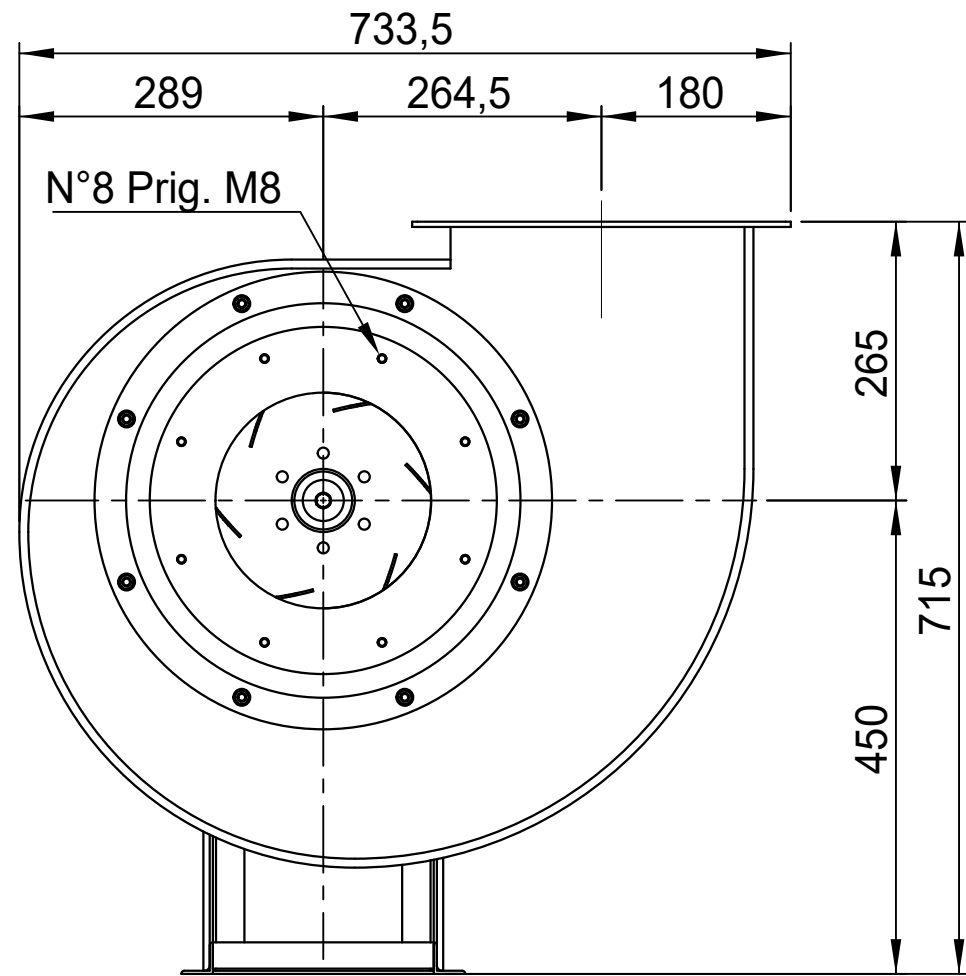
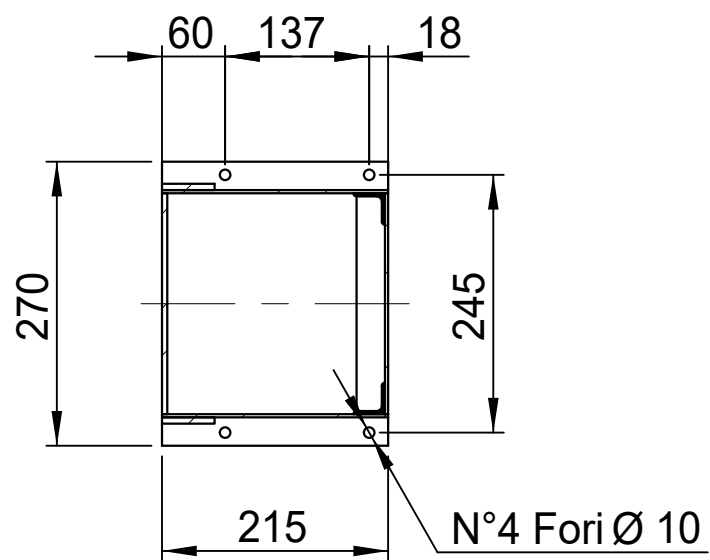
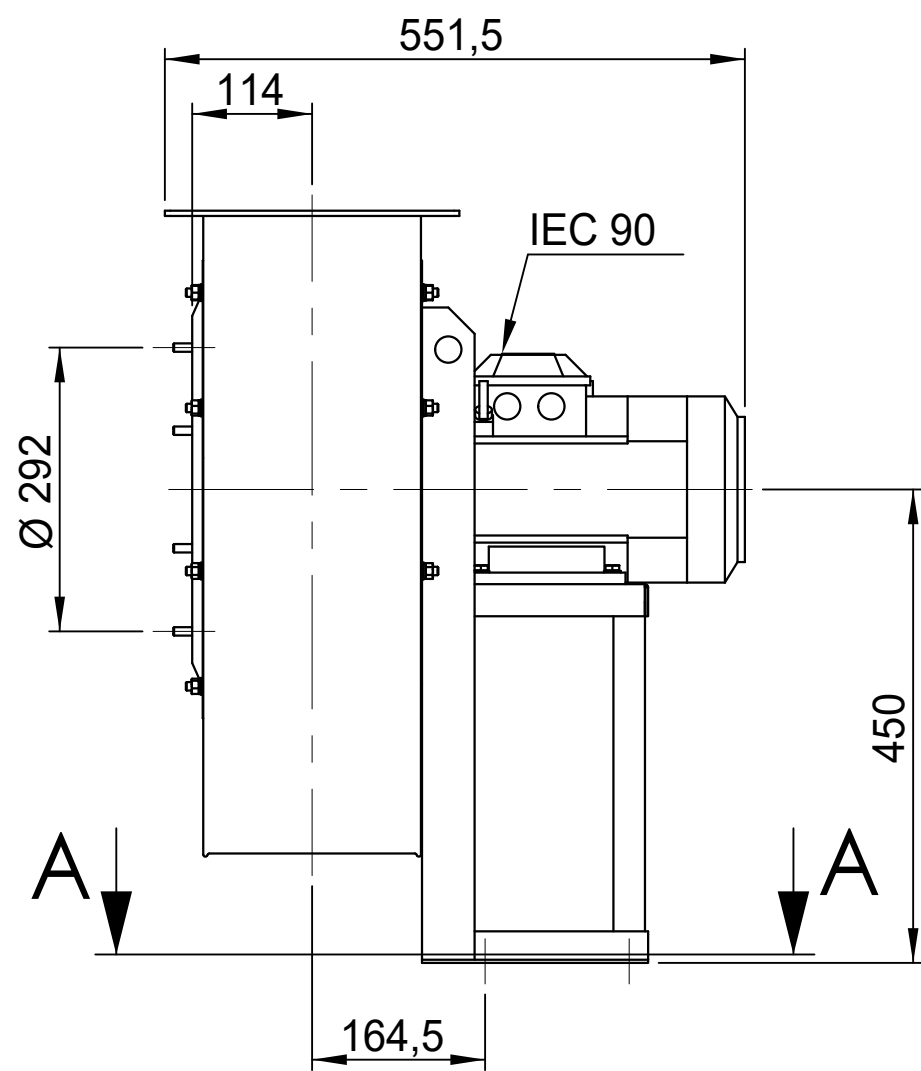
Possible discharge positions:



* (Pos 180 and 225 extra price)

Possible accessories

Mounting profiles for load distribution	STF 052501
Counterflange inlet/outlet	
Flexible connection inlet/outlet max. 80°C	zzØ 315 / pzØ 355
Anti-vibration mountings	4x 30x20/B/40° ShA
Inspectiondoor	
Drain	
Shaft seal without asbestos	
Coolingwheel (medium max. 150°C)	(incl. coating RAL9006)
Flexible connection inlet/outlet max. 150°C	zzØ 315 / pzØ 355
ATEX version	Zone 1 / 2 / 21 / 22
ATEX motor	Ex nA / Exe / Ex de
Coating suitable for outdoor application	RAL 5010 / RAL
Stainless steel version	304 / 316 / ...
Acoustic enclosure	



DESCRIZIONE - DESCRIPTION

EU 352 - RD 0

SCALA 1:10

DISEGNATO - PREPARED

FORMATO

DATA 17/12/2014

Cracco S.

A4

SOSTITUISCE IL - REPLACES THE N° A2EU352A411A000

SOSTITUITO DAL - REPLACES BY N°

Copy 19-2-2020

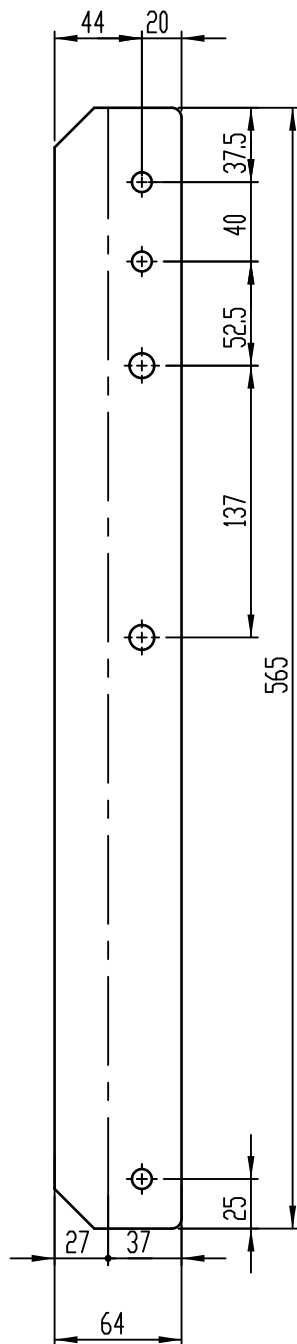


N.DISEGNO - N.DRAWING

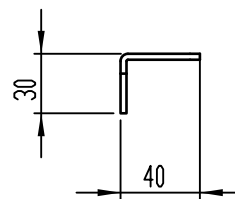
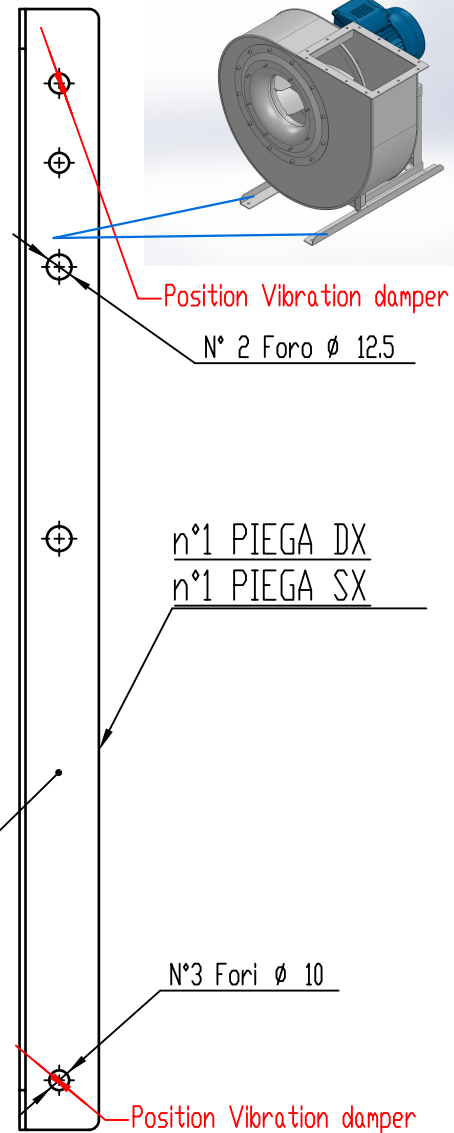
V11EU352A0018

REV.

00



Sp. 30/10



COMM.

N°

01	04/12/2019	Adattamento alle sedie nuove		Galiotto M.	De Santi G.
00	11/11/2015	PRIMA EMISSIONE		Galiotto M.	De Santi G.
REV	DATA - DATE	DESCRIZIONE - DESCRIPTION		DISEGNATO PREPARED	CONTROLLATO CHECKED
DESCRIZIONE - DESCRIPTION		MATERIALE - MATERIAL	NR.FILE	PESO - WEIGHT	
		Fe 360	EUR00068009	Kg 0.83	
DESCRIZIONE - DESCRIPTION		SCALA 1:3.5		DISEGNATO - PREPARED	FORMATO
Staffe per Puffer L=565		DATA 04/12/2019		Galiotto M.	A4
IEC 90		SOSTITUISCE IL - REPLACES THE N°		SOSTITUITO DAL - REPLACES BY N°	
		N.DISEGNO - N.DRAWING		REV.	
		STF052501		01	

