



Centrifugal fan model EU, Es.4

Single inlet fan, direct driven with an IEC-standard motor in form B3 which is mounted on a motorbase. The overhang impeller is mounted on the motor shaft and has backwardly curved blades. The blades are welded between the back plate disc and the aerodynamically formed front plate. The robust industrial fan is totally made of steel and painted in the agate grey color RAL 7038. The fan is suitable for the transportation of clean and slightly dusty air.

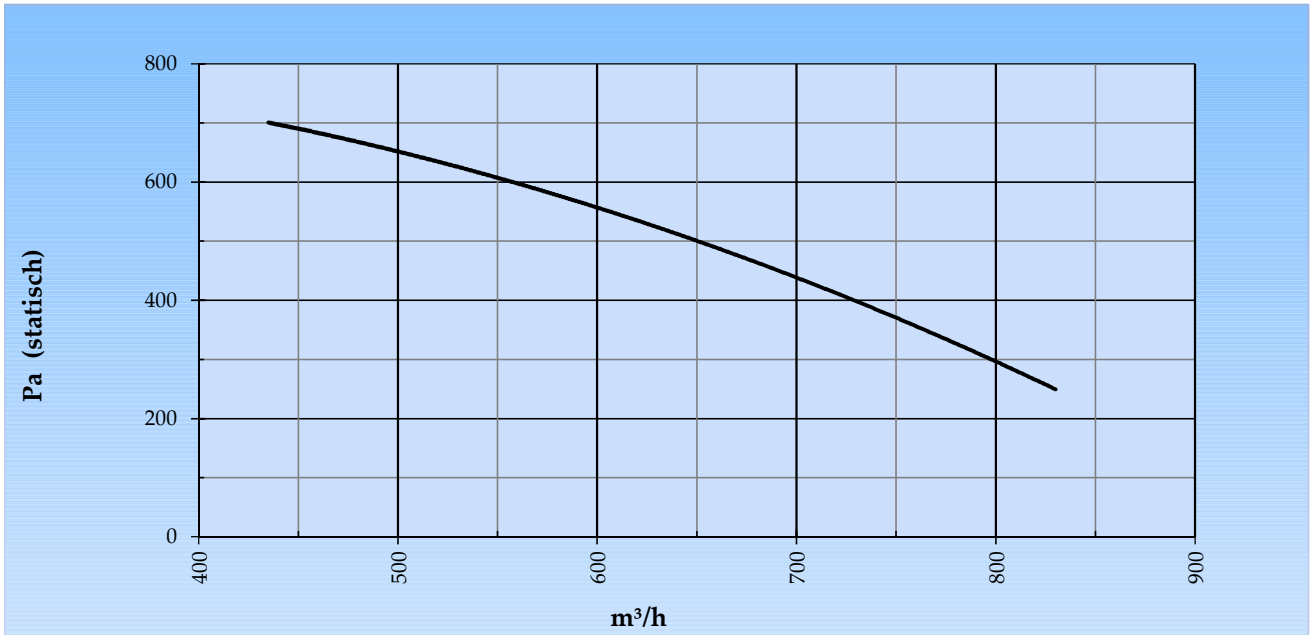
General data:

Drive	direct	
Motor position	horizontal	
Material casing/base	Steel	
Material impeller/hub	Steel	
Coating/protection	RAL 7038	
Operating temperature (max.)	15 (80)	°C
Medium density (altitude 0 m)	1,226	kg/m ³
Impeller speed	2.815	rpm
Weight	20	kg
Sound pressure level ±3 (at 1,5 m near the fan with inlet and outlet ducted, in free field)	62	dB(A)

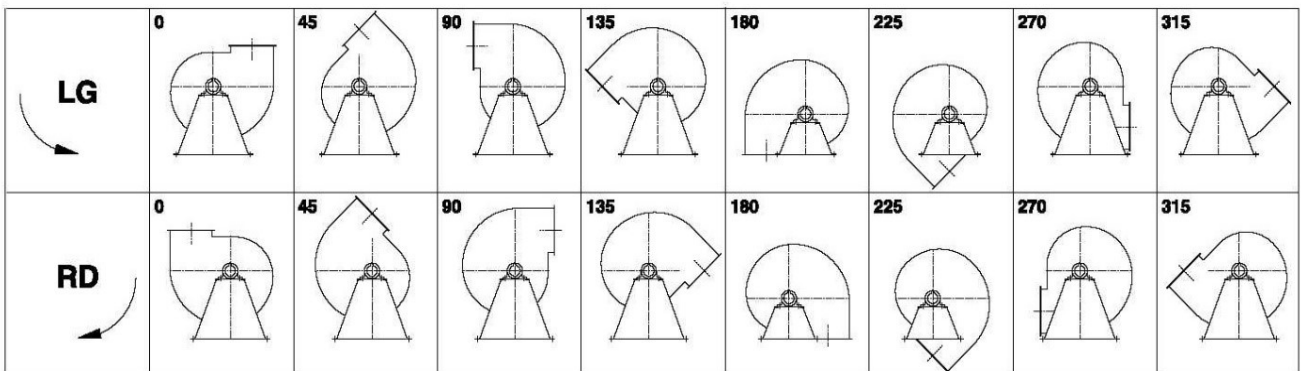
Electric motor:

	63	IEC
Power	0,18	kW
Motor speed	2.815	rpm
Electric supply	3x400V50Hz	V/Hz
Full load current	0,533	A
Enclosure	55	IP
Shape	B3T	
Efficiency class	IE3	

Curve EU 221 @ 2815rpm @ 15°C @ 0m



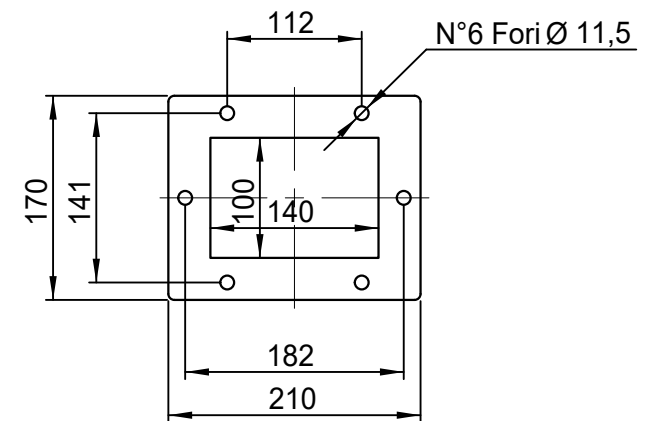
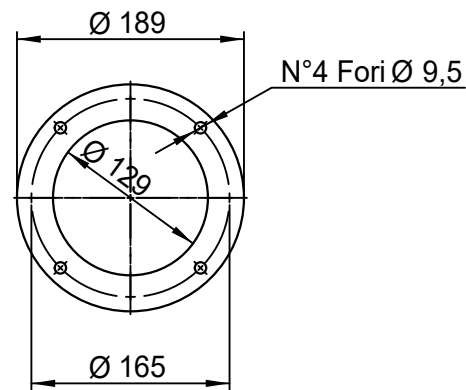
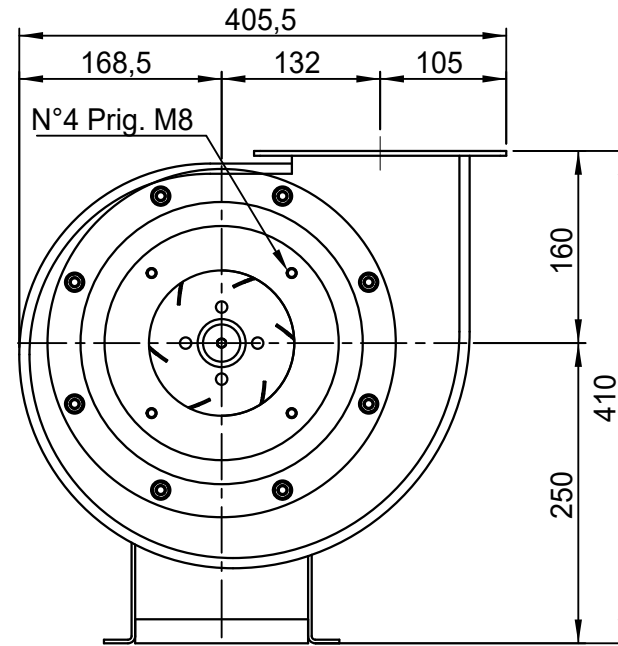
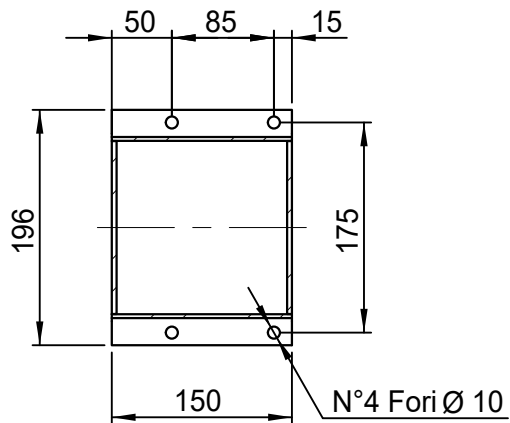
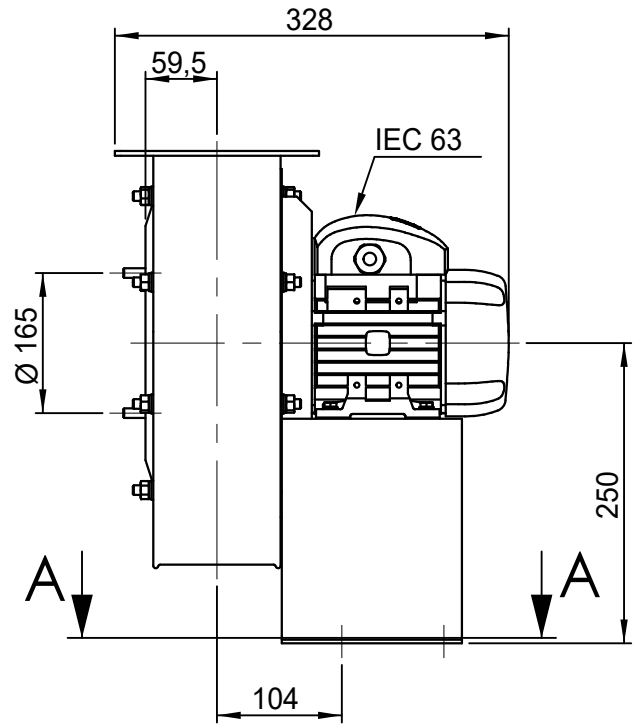
Possible discharge positions:



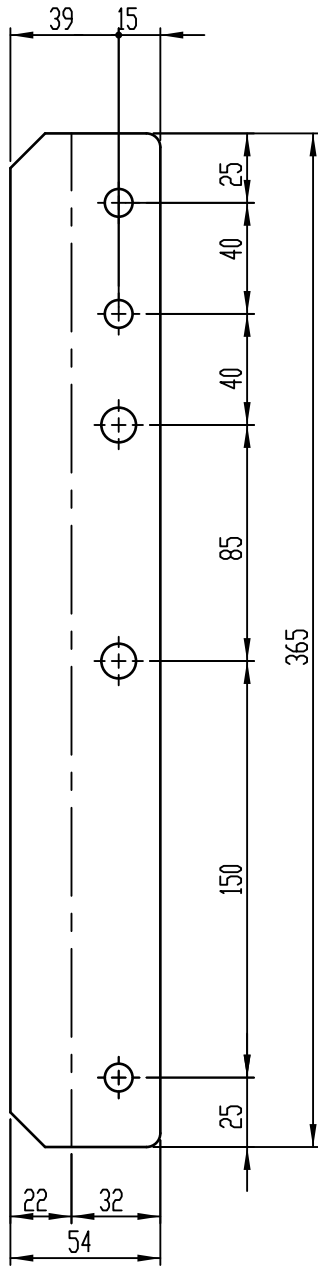
* (Pos 180 and 225 extra price)

Possible accessories

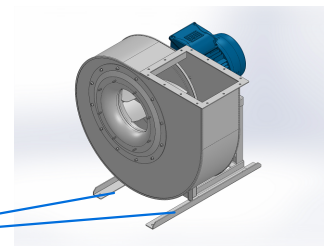
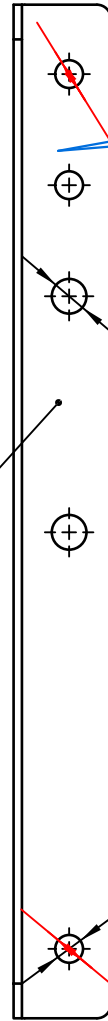
Mounting profiles for load distribution	STF 032501
Counterflange inlet/outlet	
Flexible connection inlet/outlet max. 80°C	zzØ 160 / pzØ 200
Anti-vibration mountings	4x 30x20/B/40° ShA
Inspectiondoor	
Drain	
Shaft seal without asbestos	
Coolingwheel (medium max. 150°C)	(incl. coating RAL9006)
Flexible connection inlet/outlet max. 150°C	zzØ 160 / pzØ 200
ATEX version	Zone 1 / 2 / 21 / 22
ATEX motor	Ex nA / Exe / Ex de
Coating suitable for outdoor application	RAL 5010 / RAL
Stainless steel version	304 / 316 / ...
Acoustic enclosure	



DESCRIZIONE - DESCRIPTION	SCALA 1:6	DISEGNATO - PREPARED	FORMATO
	DATA 04/11/2013	Galiotto M.	A4
EU 221 - RD 0	SOSTITUISCE IL - REPLACES THE N° A2EU221A411A000		
	SOSTITUITO DAL - REPLACES BY N°		
Copy 2-4-2020	N.DISEGNO - N.DRAWING		REV.
		V11EU221A0010	00



Sp. 30/10



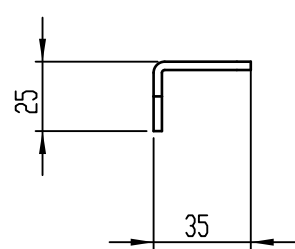
Position Vibration damper

N° 1 Foro ø 12.5

n°1 PIEGA DX
n°1 PIEGA SX

N°3 Fori ø 10

Position Vibration damper



COMM.

N°

01	04/12/2019	Adattamento a sedie nuove		Galiotto M.	De Santi G.
00	12/11/2015	PRIMA EMISSIONE		Galiotto M.	De Santi G.
REV	DATA - DATE	DESCRIZIONE - DESCRIPTION		DISEGNATO PREPARED	CONTROLLATO CHECKED
DESCRIZIONE - DESCRIPTION		MATERIALE - MATERIAL	NR.FILE	PESO - WEIGHT	
		Fe 360	EUR00067971	Kg 0.45	
DESCRIZIONE - DESCRIPTION			SCALA	DISEGNATO - PREPARED	FORMATO
Staffe per Puffer L=365			1:2.5	Galiotto M.	A4
IEC 63			DATA	SOSTITUISCE IL - REPLACES THE N°	
			04/12/2019	SOSTITUITO DAL - REPLACES BY N°	
			N.DISEGNO - N.DRAWING		REV.
			STF032501		01

