



Axial roof fan for supply air model DHA, **make ST-Fans**.

Casing and base frame manufactured from galvanized steel, powder coated RAL 7010; cowl manufactured from seawater resistant aluminium. With external rotor motors, speed controllable by voltage reduction. Three phase version to can be switched between D/Y connection for two speeds.(thyristor or transformer).

The axial impellers, powder coated RAL 9005, of galvanized steel are profiled . The maximum temperature of the air to be moved is max. 65 ° C.

Sealing tape and mounting material are supplied as standard.

General data:

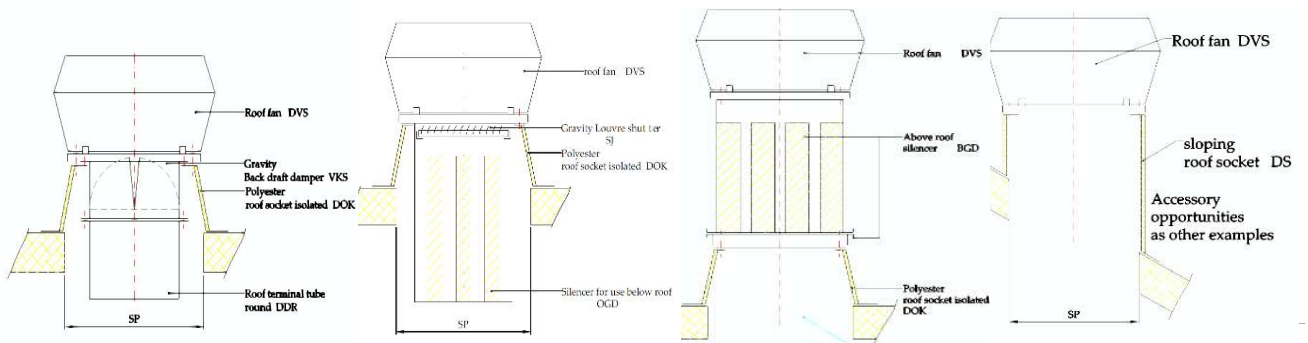
Max Air flow	10.429	m3/h
Impeller speed	910	rpm
Input power	0,673	kW
Voltage (nominal)	1x230/50	V/Hz
Input current	3,17	A
Enclosure class, motor	54	IP
Weight	51,0	kg
Sound pressure level ±2*	51	dB(A)

** (at 4 m near the fan with inlet and outlet ducted, in free field)*

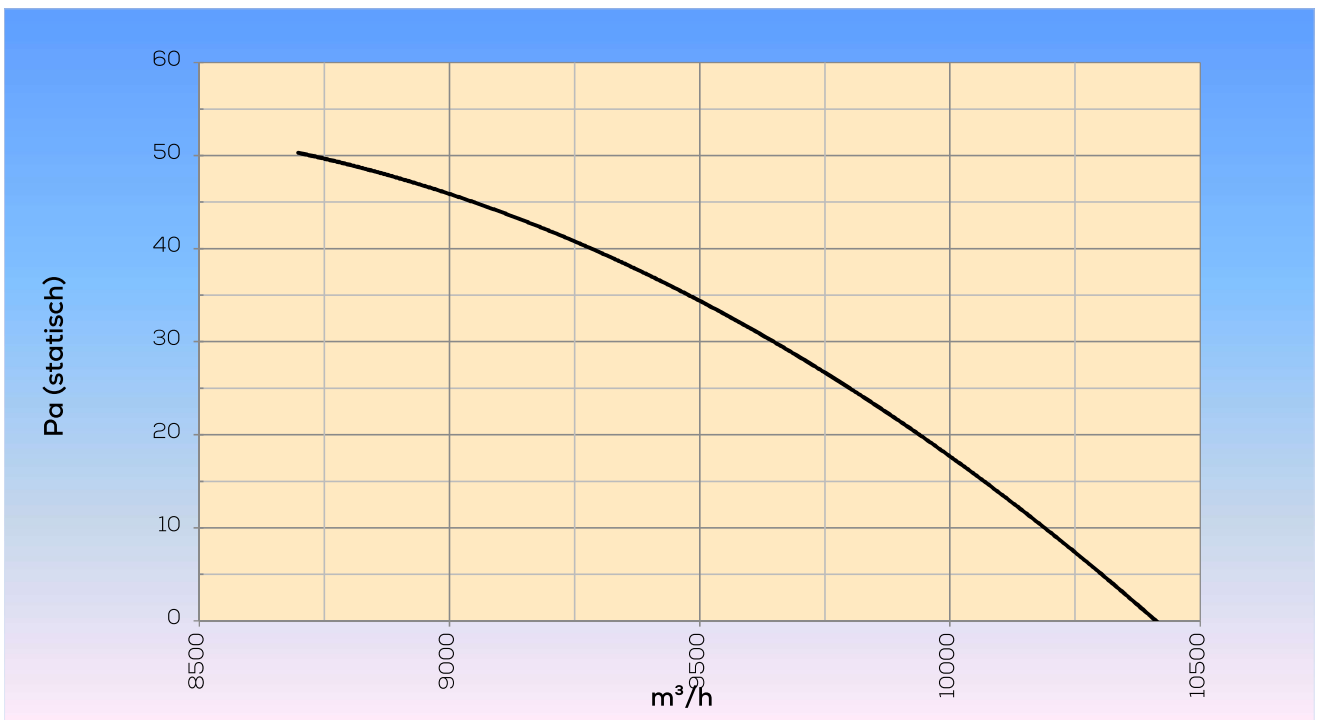
Options:

Dakopstand vlak dak	DOK 560/630
Silencer for use below roof	OGD 560/630
Silencer for use above roof	BGD 560/630
Gravity Louvre shutter	SJ 560/630
Roof duct	DDR 560/630
Gravity Back draft damper	VKS 560/630
Dakopstand schuindak	DS 560/630
Dakopstand schuindak/loadslabbe	DSL 560/630
Speed control	STRA1-35L22

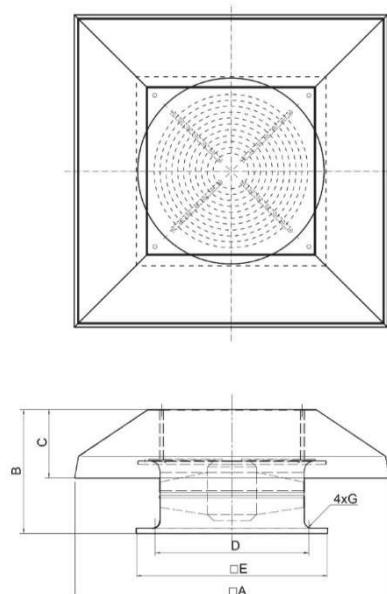
Assembly examples:



Curve:



Dimensions:



□A	1282
B	481
C	240
øD	750
E	939
G	14(4x)