



Axial roof fan for supply air model DHA, **make ST-Fans**.

Casing and base frame manufactured from galvanized steel, powder coated RAL 7010; cowl manufactured from seawater resistant aluminium. With external rotor motors, speed controllable by voltage reduction. Three phase version to can be switched between D/Y connection for two speeds.(thyristor or transformer).

The axial impellers, powder coated RAL 9005, of galvanized steel are profiled . The maximum temperature of the air to be moved is max. 65 ° C.

Sealing tape and mounting material are supplied as standard.

## General data:

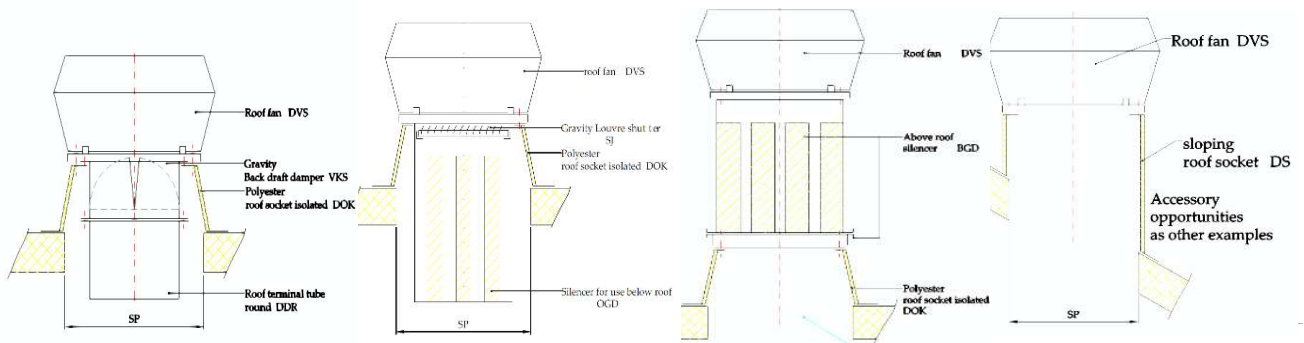
Max Air flow	3.600	m3/h
Impeller speed	1.364	rpm
Input power	0,234	kW
Voltage (nominal)	3x400/50	V/Hz
Input current	0,45	A
Enclosure class, motor	54	IP
Weight	17,5	kg
Sound pressure level ±2*	48,8	dB(A)

*\* (at 4 m near the fan with inlet and outlet ducted, in free field)*

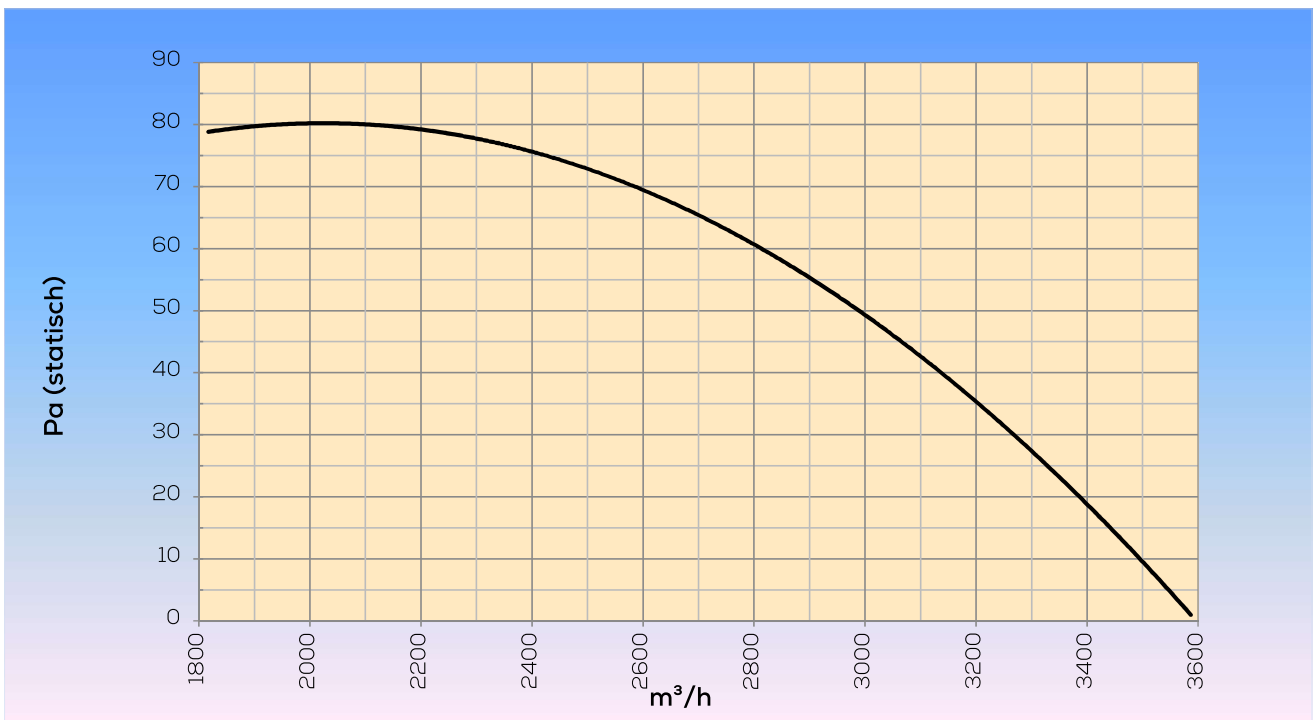
## Options:

Dakopstand vlak dak	DOK 355/400
Silencer for use below roof	OGD 355/400
Silencer for use above roof	BGD 355/400
Gravity Louvre shutter	SJ 355/400
Roof duct	DDR 355/400/450/500
Gravity Back draft damper	VKS 355/400/450/499/500
Dakopstand schuindak	DS 355/400
Dakopstand schuindak/loadslabbe	DSL 355/400
Speed control	STRS4-12L40

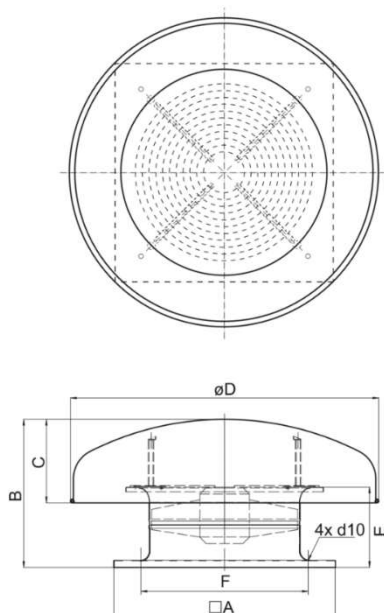
Assembly examples:



Curve:



Dimensions:



□A	595
B	399
C	225
øD	830
E	216
F	450