



Centrifugal fan model BPR, Es.4

Single inlet fan, direct driven with an IEC-standard motor in form B3 which is mounted on a motorbase. The overhang impeller is mounted on the motor shaft and has backwardly curved blades. The blades are welded between the back plate disc and the aerodynamically formed front plate. The robust industrial fan is totally made of steel and painted in the agate grey color RAL 7038. The fan is suitable for the transportation of clean and slightly dusty air.

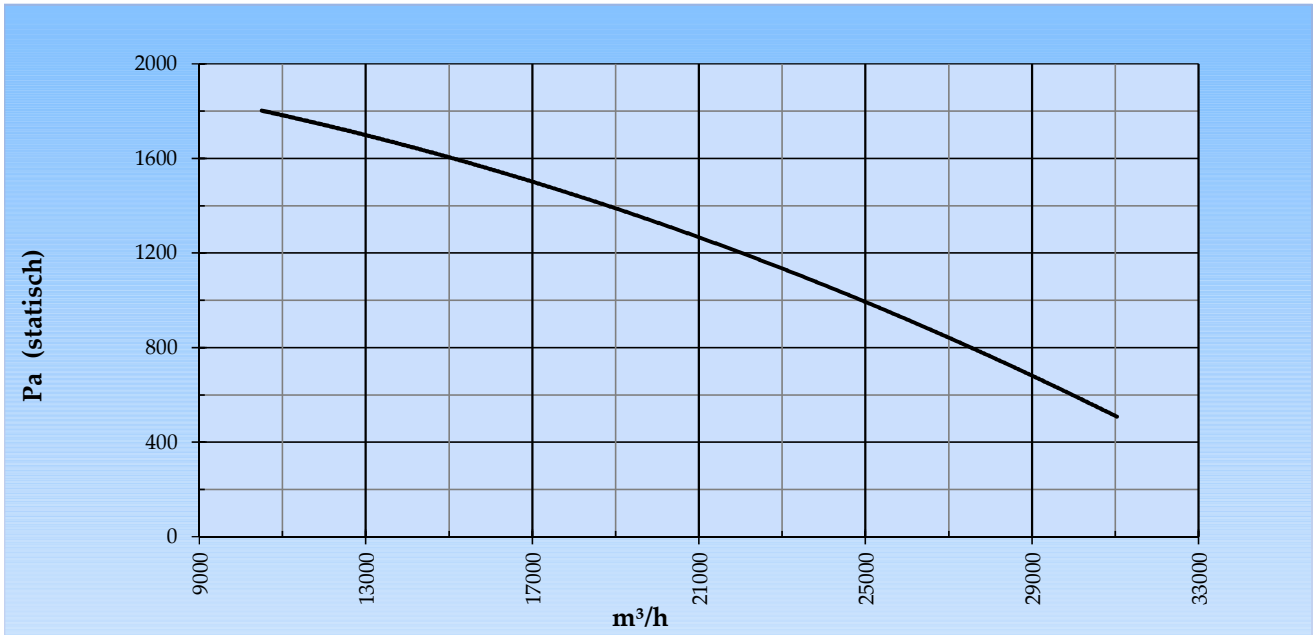
General data:

| | | |
|---|------------|-------------------|
| Drive | direct | |
| Motor position | horizontal | |
| Material casing/base | Steel | |
| Material impeller/hub | Steel | |
| Coating/protection | RAL 7038 | |
| Operating temperature (max.) | 15 (80) | °C |
| Medium density (altitude 0 m) | 1,226 | kg/m ³ |
| Impeller speed | 1.465 | rpm |
| Weight | 386 | kg |
| Sound pressure level ±3 (at 1,5 m near the fan with inlet and outlet ducted, in free field) | 79 | dB(A) |

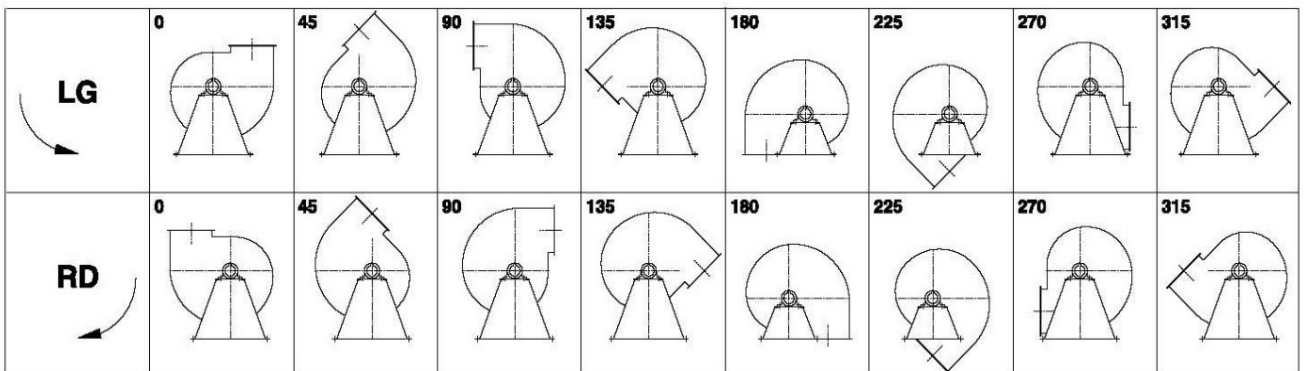
Electric motor:

| | | |
|-------------------|------------|------|
| | 160L | IEC |
| Power | 15,0 | kW |
| Motor speed | 1.465 | rpm |
| Electric supply | 3x400V50Hz | V/Hz |
| Full load current | 27,9 | A |
| Enclosure | 55 | IP |
| Shape | B3T | |
| Efficiency class | IE3 | |

Curve BPR 711B @ 1465rpm @ 15°C @ 0m



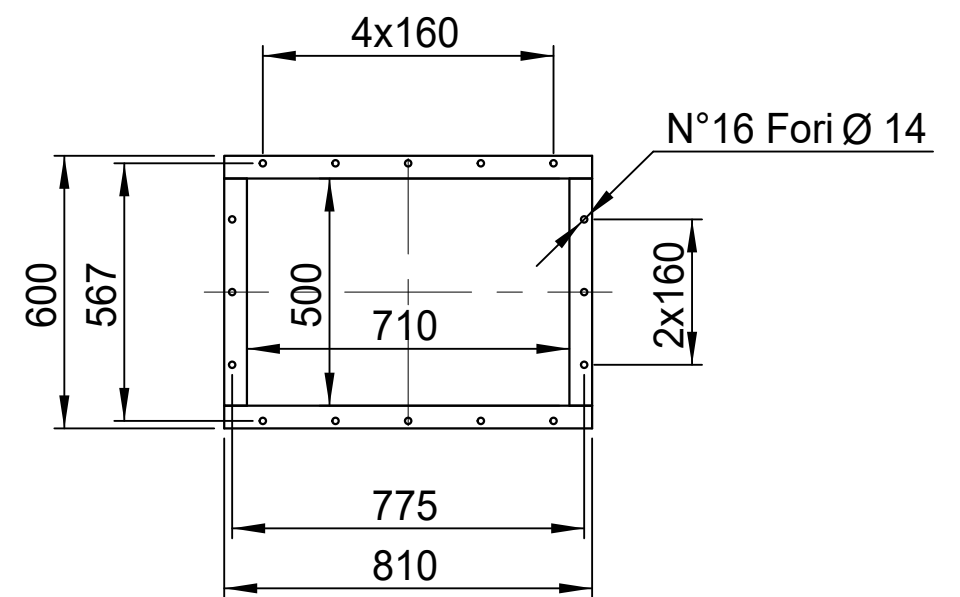
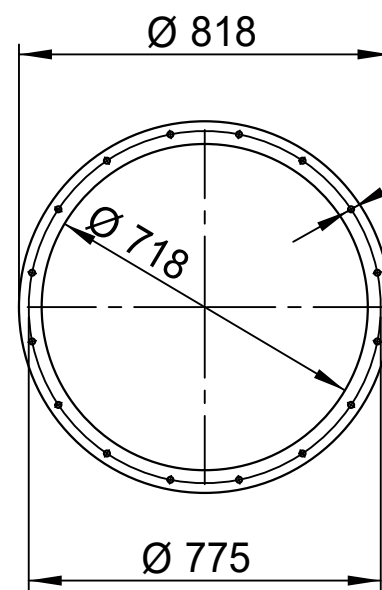
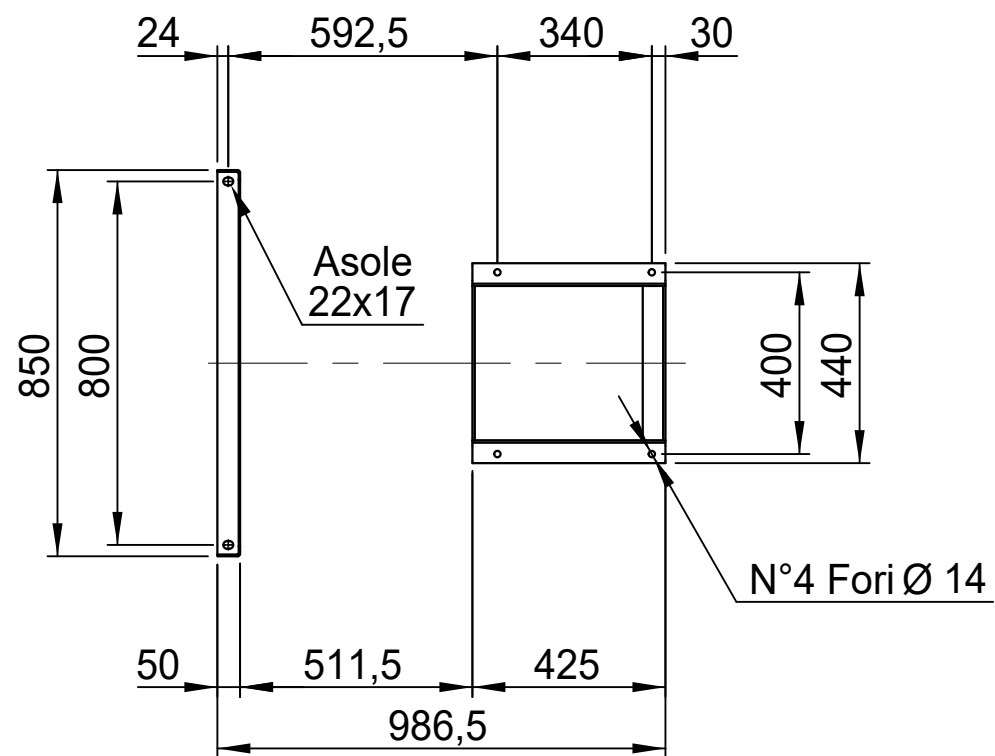
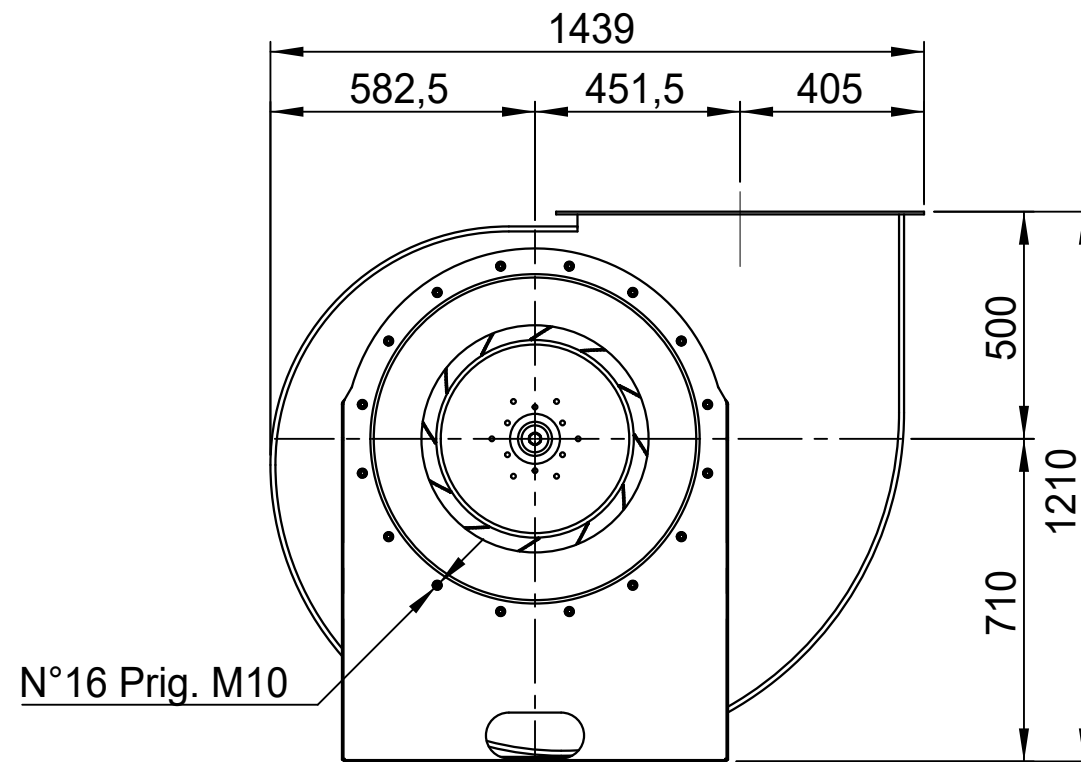
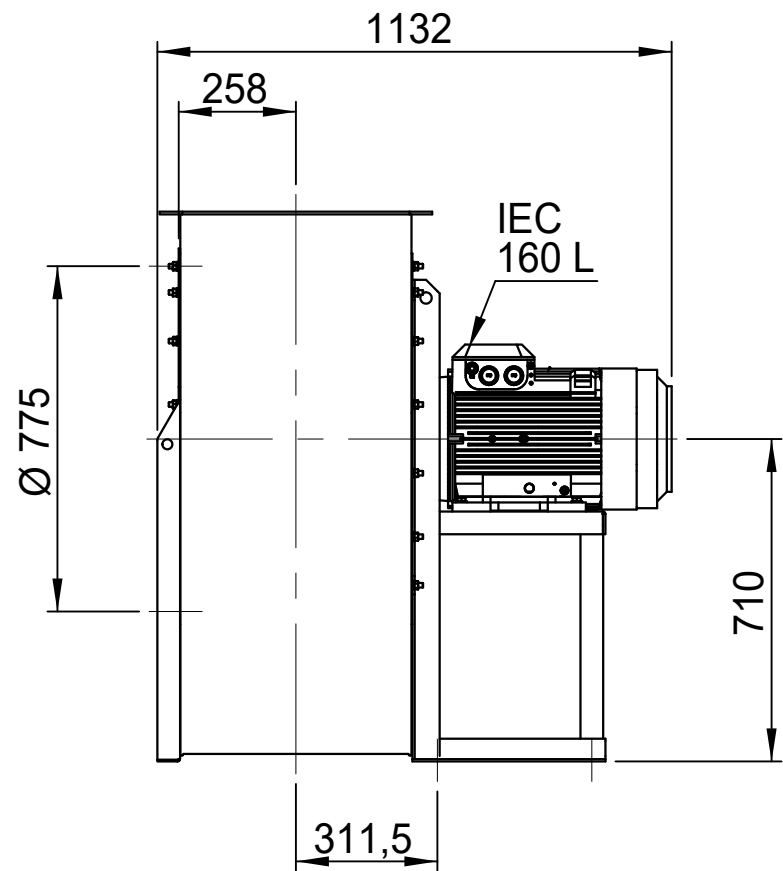
Possible discharge positions:



* (Pos 180 and 225 extra price)

Possible accessories

| | |
|---|---------------------------|
| Mounting profiles for load distribution | -- |
| Counterflange inlet/outlet | |
| Flexible connection inlet/outlet max. 80°C | zzØ 800 / pzØ 900 |
| Anti-vibration mountings | 6x 50x40/B/40° ShA |
| Inspectiondoor | |
| Drain | |
| Shaft seal without asbestos | |
| Coolingwheel (medium max. 150°C) | (incl. coating RAL9006) |
| Flexible connection inlet/outlet max. 150°C | zzØ 800 / pzØ 900 |
| ATEX version | Zone 1 / 2 / 21 / 22 |
| ATEX motor | Ex nA / Exe / Ex de |
| Coating suitable for outdoor application | RAL 5010 / RAL |
| Stainless steel version | 304 / 316 / ... |
| Acoustic enclosure | |



DESCRIZIONE - DESCRIPTION

BPR 711/B - RD 0

SCALA 1:22

DISEGNATO - PREPARED

FORMATO

DATA 10/06/2015

Duregotti P.

A4

SOSTITUISCE IL - REPLACES THE N° ABPR711A411B000

SOSTITUITO DAL - REPLACES BY N°

N.DISEGNO - N.DRAWING

REV.

Copy 18-2-2020



V1BPR711B0014

00