

**Centrifugal fan model BPR, Es.4**

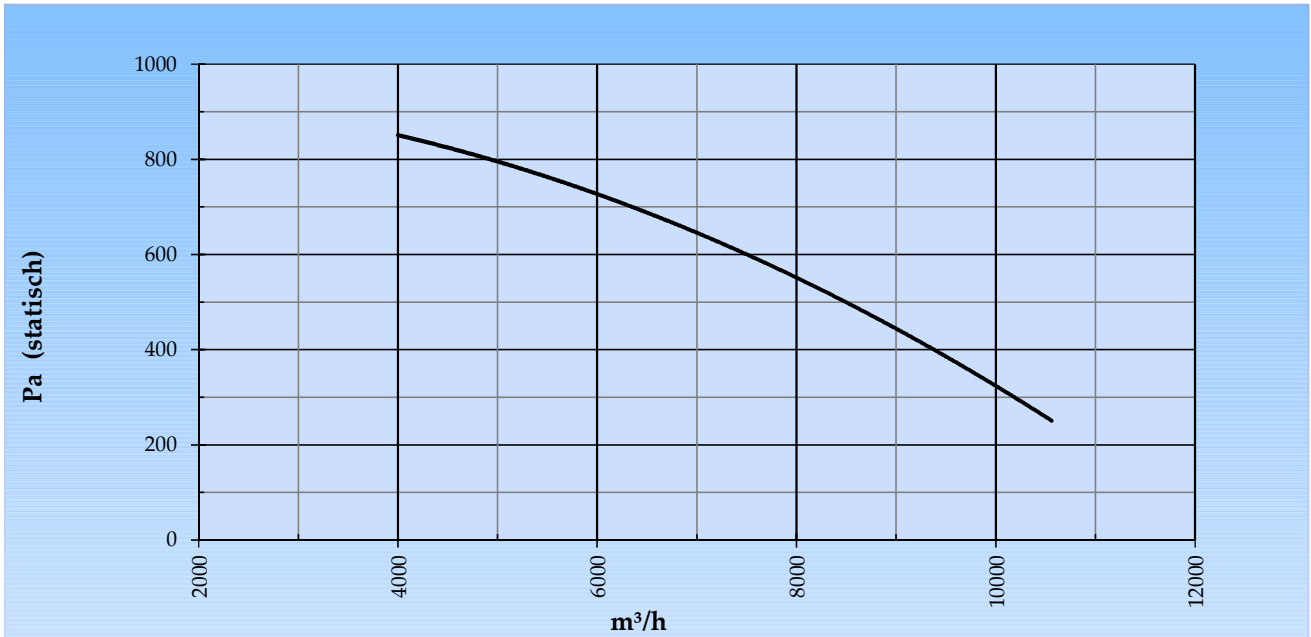
Single inlet fan, direct driven with an IEC-standard motor in form B3 which is mounted on a motorbase. The overhang impeller is mounted on the motor shaft and has backwardly curved blades. The blades are welded between the back plate disc and the aerodynamically formed front plate. The robust industrial fan is totally made of steel and painted in the agate grey color RAL 7038. The fan is suitable for the transportation of clean and slightly dusty air.

**General data:**

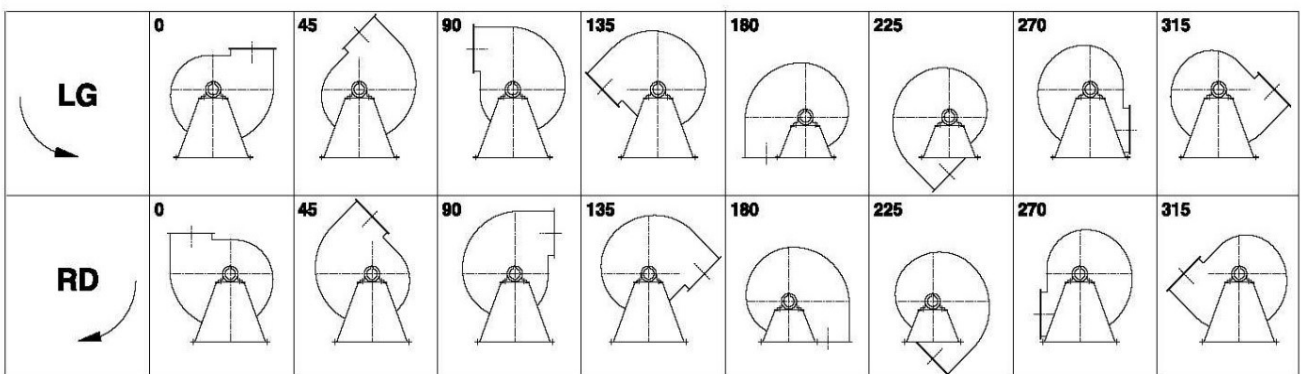
Drive	direct	
Motor position	horizontal	
Material casing/base	Steel	
Material impeller/hub	Steel	
Coating/protection	RAL 7038	
Operating temperature (max.)	15 (80)	°C
Medium density (altitude 0 m)	1,226	kg/m <sup>3</sup>
Impeller speed	1.435	rpm
Weight	136	kg
Sound pressure level ±3 (at 1,5 m near the fan with inlet and outlet ducted, in free field)	72	dB(A)

<b>Electric motor:</b>	100L	IEC
Power	2,2	kW
Motor speed	1.435	rpm
Electric supply	3x400V50Hz	V/Hz
Full load current	4,56	A
Enclosure	55	IP
Shape	B3T	
Efficiency class	IE3	

Curve BPR 501D @ 1435rpm @ 15°C @ 0m



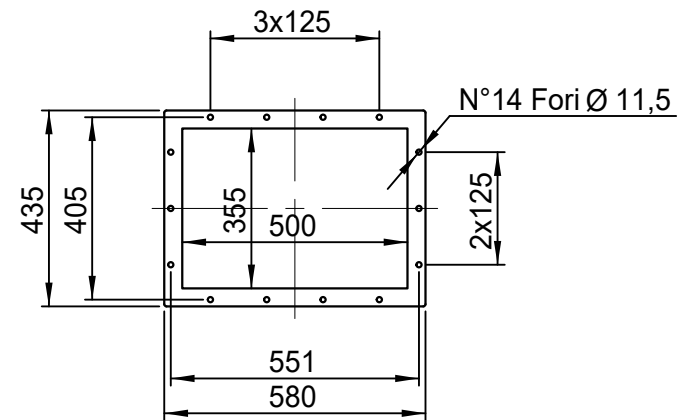
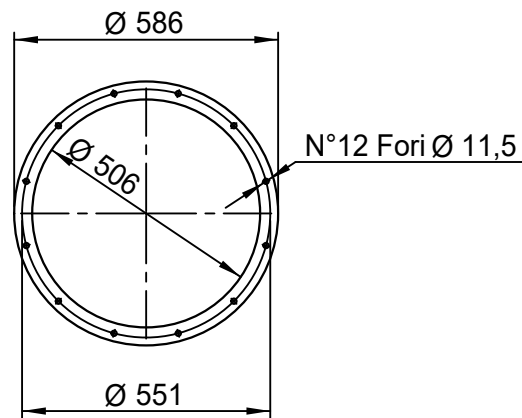
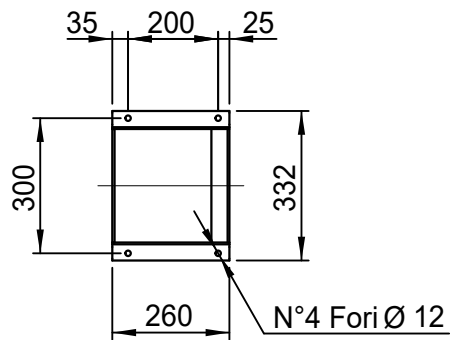
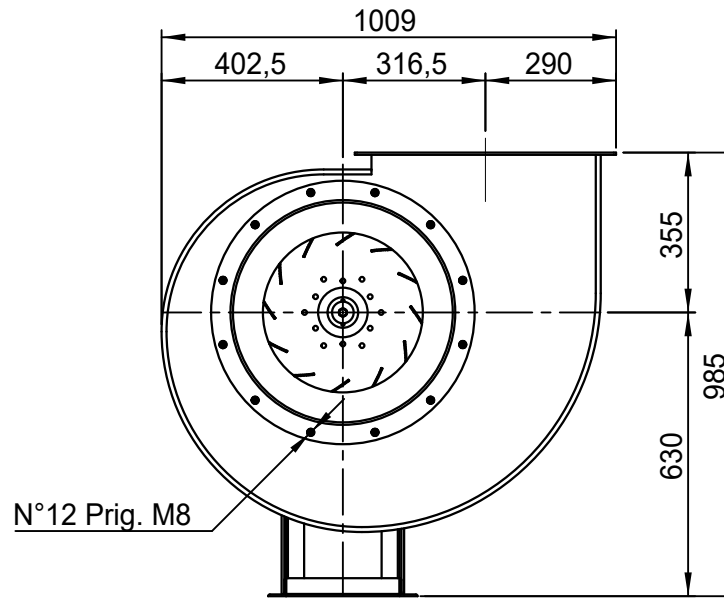
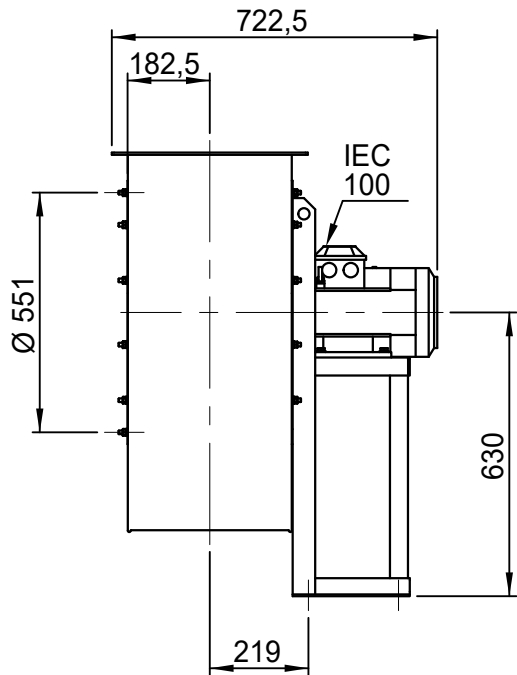
Possible discharge positions:



\* (Pos 180 and 225 extra price)

Possible accessories

Mounting profiles for load distribution	STF 057501
Counterflange inlet/outlet	
Flexible connection inlet/outlet max. 80°C	zzØ 560 / pzØ 630
Anti-vibration mountings	4x 40x30/B/40° ShA
Inspectiondoor	
Drain	
Shaft seal without asbestos	
Coolingwheel (medium max. 150°C)	( incl. coating RAL9006 )
Flexible connection inlet/outlet max. 150°C	zzØ 560 / pzØ 630
ATEX version	Zone 1 / 2 / 21 / 22
ATEX motor	Ex nA / Exe / Ex de
Coating suitable for outdoor application	RAL 5010 / RAL ....
Stainless steel version	304 / 316 / ...
Acoustic enclosure	



DESCRIZIONE - DESCRIPTION

BPR 501/D - RD 0

SCALA 1:16

DISEGNATO - PREPARED

FORMATO

DATA 05/06/2015

Duregotti P.

A4

SOSTITUISCE IL - REPLACES THE N° ABPR501A411D000

SOSTITUITO DAL - REPLACES BY N°

N.DISEGNO - N.DRAWING

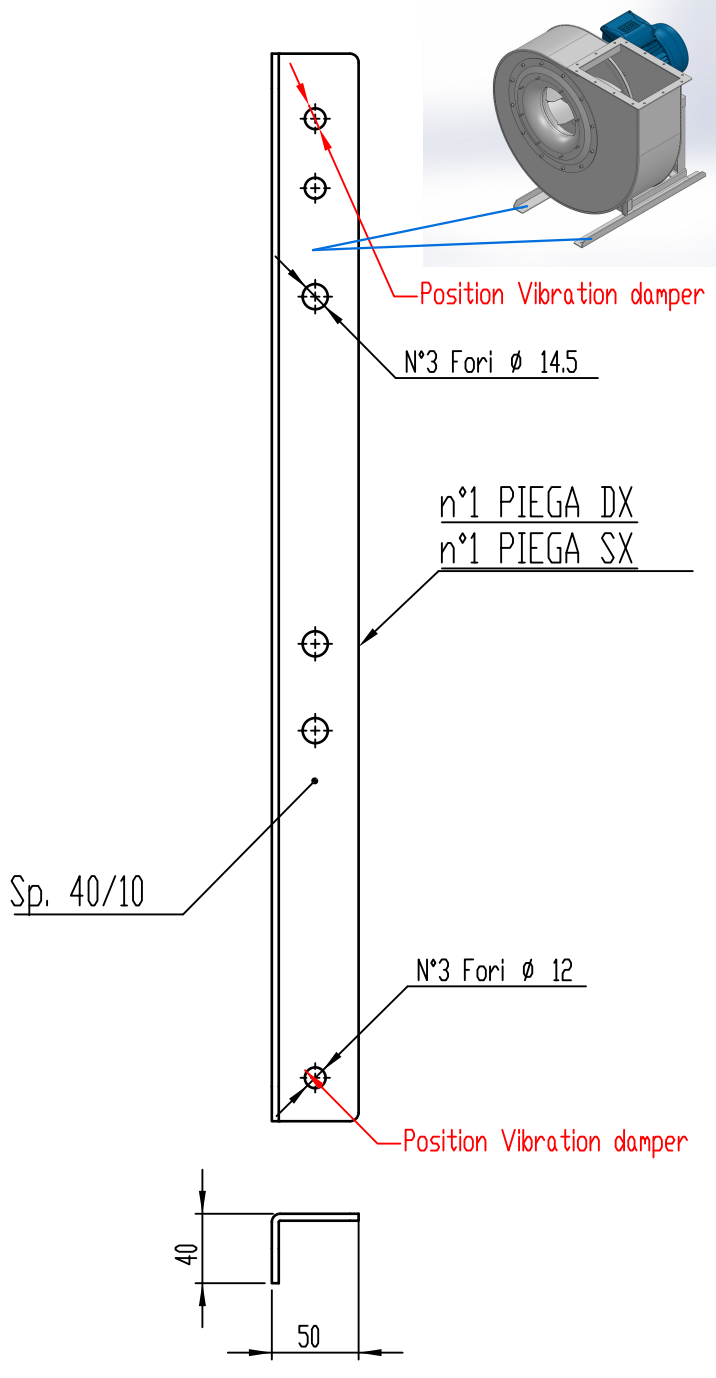
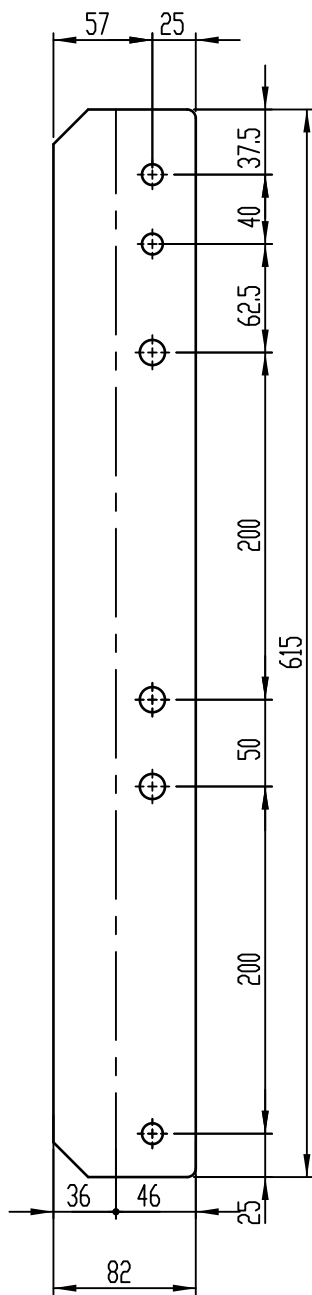
REV.

Copy 8-7-2020



V1BPR501D0019

00



COMM.  
N°

01	04/12/2019	Adattamento alle sedie nuove	Galiotto M.	De Santi G.
00	23/11/2015	PRIMA EMISSIONE	Galiotto M.	De Santi G.
REV	DATA - DATE	DESCRIZIONE - DESCRIPTION	DISEGNATO PREPARED	CONTROLLATO CHECKED
DESCRIZIONE - DESCRIPTION		MATERIALE - MATERIAL	NR.FILE	PESO - WEIGHT
		Fe 360	EUR00067997	Kg 1.53
DESCRIZIONE - DESCRIPTION		SCALA 1:4	DISEGNATO - PREPARED	FORMATO
Staffe per Puffer L=615 IEC 100-112-132		DATA 04/12/2019	Galiotto M.	A4
		SOSTITUISCE IL - REPLACES THE N°		
		SOSTITUITO DAL - REPLACES BY N°		
N.DISEGNO - N.DRAWING			REV.	
STF057501			01	

