



Axial wall fan model AW.

The free-running impeller is made of high-quality composite material (sizes 200-450) or black cast aluminum (sizes 450-1000) with energetically optimized geometry. Model 300E2 has a sickle blade impeller made of black coated sheet metal.

It is powered by a highly efficient outer pole motor. To protect the motor from burning, the fan has internal contacts with wires routed outwards for connection to a motor protection. Motor is cooled because it is placed in the air stream. Adjustable by means of transformer and star / delta control.

This fan has a high efficiency, excellent noise level and is maintenance-free and reliable. It is made of galvanized steel and then powder coated black (RAL9005). Supplied with protective grille (sizes 200-630), for larger models (sizes 710-1000) it is an accessory.

### General data:

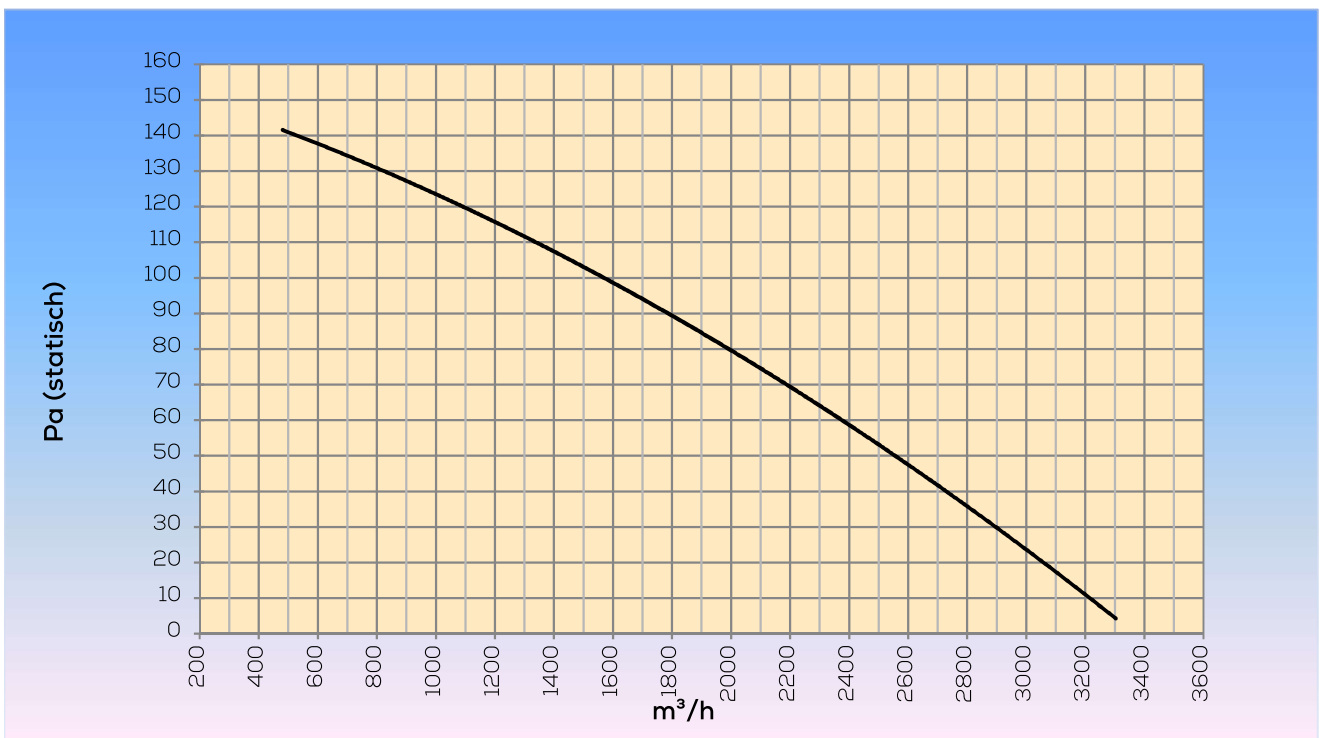
Max Air flow	3301	m <sup>3</sup> /h
Impeller speed	1.366	rpm
Input power	168	W
Voltage (nominal)	3x400/50	V/Hz
Input current	0,36	A
Enclosure class, motor	44	IP
Weight	8,8	kg
Max. Temperature of transported air	45	°C
Max. temperature of transported air, when speed controlled	45	°C
Sound pressure level ±2*	61	dB(A)

\* (at 1,5 m near the fan with inlet and outlet ducted, in free field)

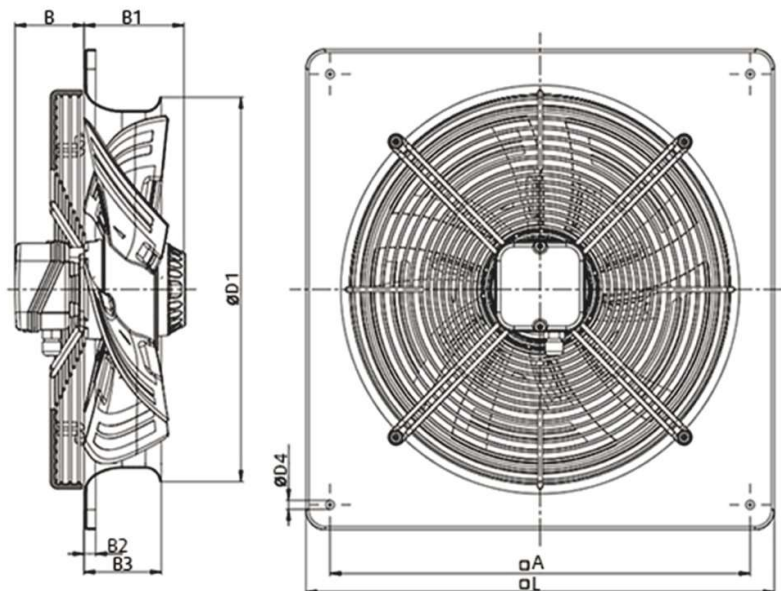
### Options:

Louvre shutter, plastic	VK 315/350
five-step transformer	STRS4-12L40

Curve :



Dimensions:



B	B1	ØD1	B2
72	105	417	12

B3	□A	□L	ØD4
80	435	485	9