



Axial wall fan model AW.

The free-running impeller is made of high-quality composite material (sizes 200-450) or black cast aluminum (sizes 450-1000) with energetically optimized geometry. Model 300E2 has a sickle blade impeller made of black coated sheet metal.

It is powered by a highly efficient outer pole motor. To protect the motor from burning, the fan has internal contacts with wires routed outwards for connection to a motor protection. Motor is cooled because it is placed in the air stream. Adjustable by means of transformer and star / delta control.

This fan has a high efficiency, excellent noise level and is maintenance-free and reliable. It is made of galvanized steel and then powder coated black (RAL9005). Supplied with protective grille (sizes 200-630), for larger models (sizes 710-1000) it is an accessory.

General data:

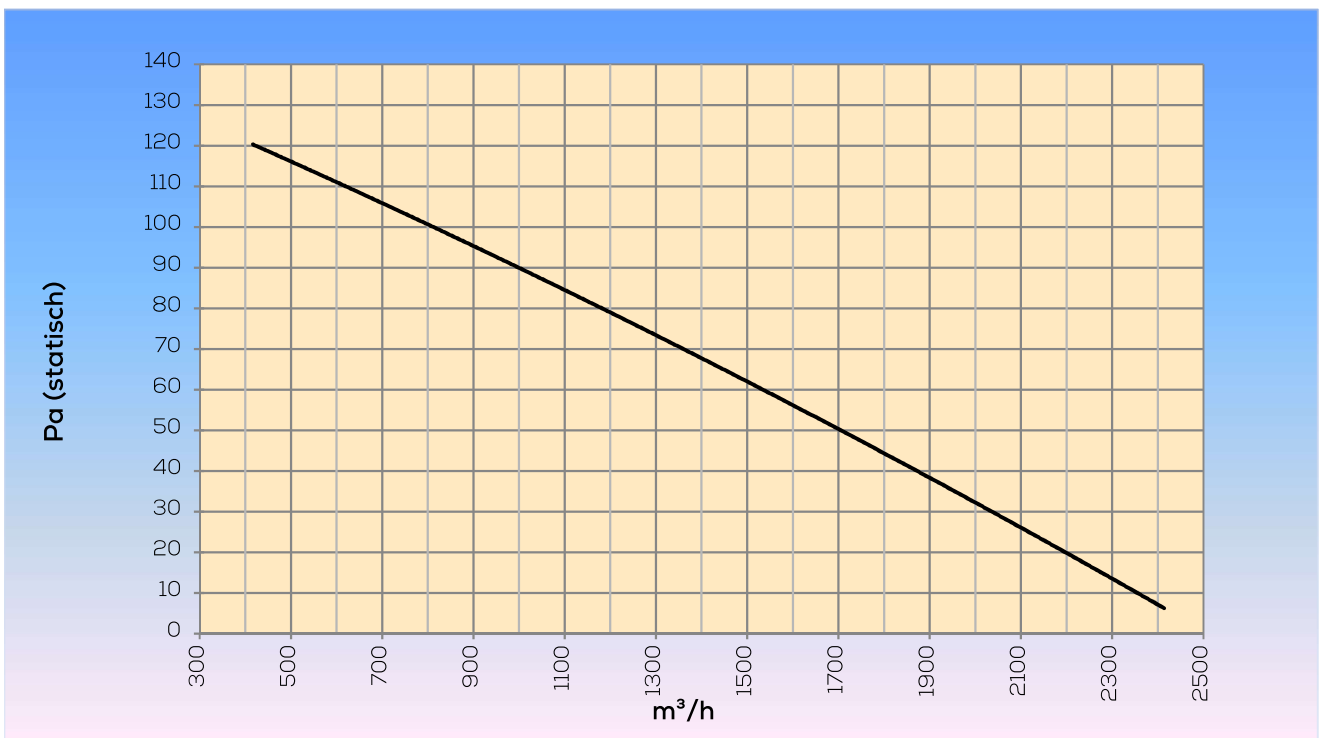
| | | |
|--|----------|-------------------|
| Max Air flow | 2412 | m ³ /h |
| Impeller speed | 1.364 | rpm |
| Input power | 112 | W |
| Voltage (nominal) | 3x400/50 | V/Hz |
| Input current | 0,273 | A |
| Enclosure class, motor | 44 | IP |
| Weight | 5,3 | kg |
| Max. Temperature of transported air | 60 | °C |
| Max. temperature of transported air, when speed controlled | 60 | |
| Sound pressure level ±2* | 59 | dB(A) |

* (at 1,5 m near the fan with inlet and outlet ducted, in free field)

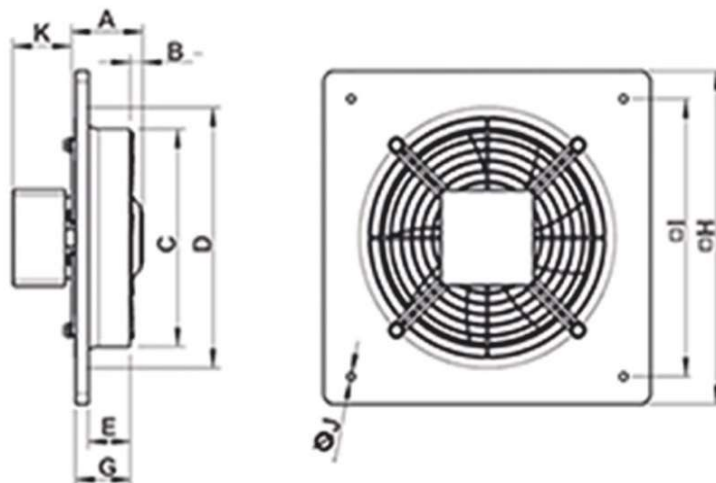
Options:

| | |
|-------------------------|-------------|
| Louvre shutter, plastic | VK 315/350 |
| five-step transformer | STRS4-12L40 |

Curve :



Dimensions:



| A | B | ØC | ØD | E |
|-----|----|-----|-----|----|
| 111 | 25 | 326 | 330 | 69 |

| G | L | H | ØJ | K |
|----|-----|-----|----|----|
| 80 | 430 | 380 | 9 | 65 |