



#### Axial fan model AR

The free-running axial impeller is made of high-quality composite material (sizes 200-450) or aluminum (sizes 450-1000) with a specially designed blade geometry.

This fan has a high efficiency, excellent noise level and is maintenance-free and reliable. It is made of galvanized steel and then powder coated black (RAL9005). Circular housing with flanges that meet Eurovent ½. Supplied with protective grille (sizes 200-630), for larger models (sizes 710-1000) it is an accessory.

Voltage controllable external rotor motors. Adjustable via voltage reduction using a transformer or thyristor. Star delta is possible for 3 ~ / 400 V types. To protect the motor from burning, the fan has internal contacts with wires routed outwards for connection to a motor protection.

#### General data:

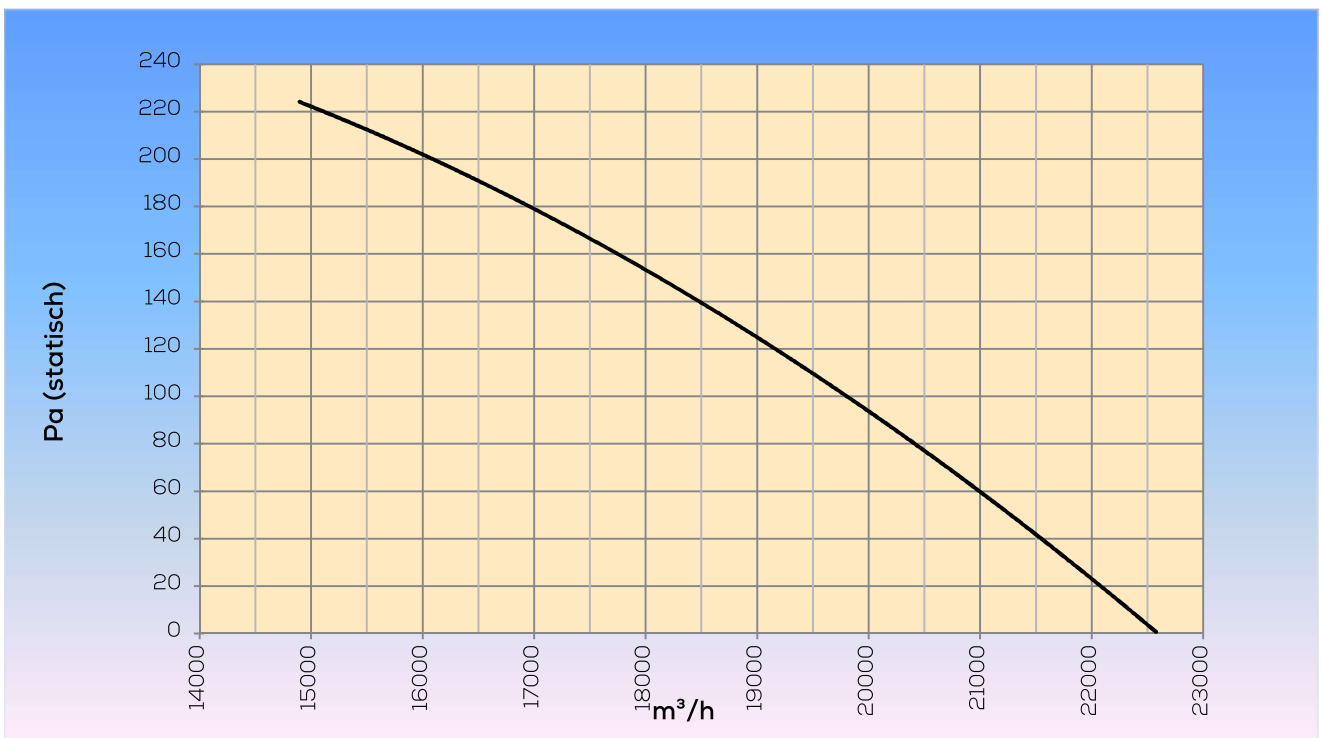
Max Air flow	22.575	m <sup>3</sup> /h
Impeller speed	1.332	rpm
Input power	2.646	W
Voltage (nominal)	3x400/50	V/Hz
Input current	4,89	A
Enclosure class, motor	54	IP
Weight	38	kg
Max. Temperature of transported air	60	°C
Max. temperature of transported air, when speed controlled	60	°C
Sound pressure level ±2*	73	dB(A)

\* (at 1,5 m near the fan with inlet and outlet ducted, in free field)

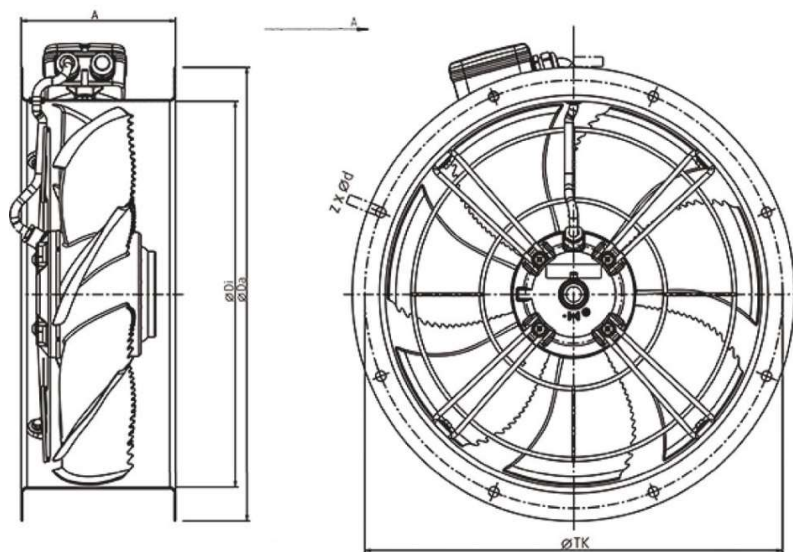
#### Options:

Louvre shutter, plastic	VK 710
five-step transformer	STRS4-60L40

Curve :



Dimensions:



A	Ødi	ØDa	ØTK	z x Ød
260	71	800	770	16 x Ø11,5