



#### Axial fan model AR

The free-running axial impeller is made of high-quality composite material (sizes 200-450) or aluminum (sizes 450-1000) with a specially designed blade geometry.

This fan has a high efficiency, excellent noise level and is maintenance-free and reliable. It is made of galvanized steel and then powder coated black (RAL9005). Circular housing with flanges that meet Eurovent ½. Supplied with protective grille (sizes 200-630), for larger models (sizes 710-1000) it is an accessory.

Voltage controllable external rotor motors. Adjustable via voltage reduction using a transformer or thyristor. Star delta is possible for 3 ~ / 400 V types. To protect the motor from burning, the fan has internal contacts with wires routed outwards for connection to a motor protection.

#### General data:

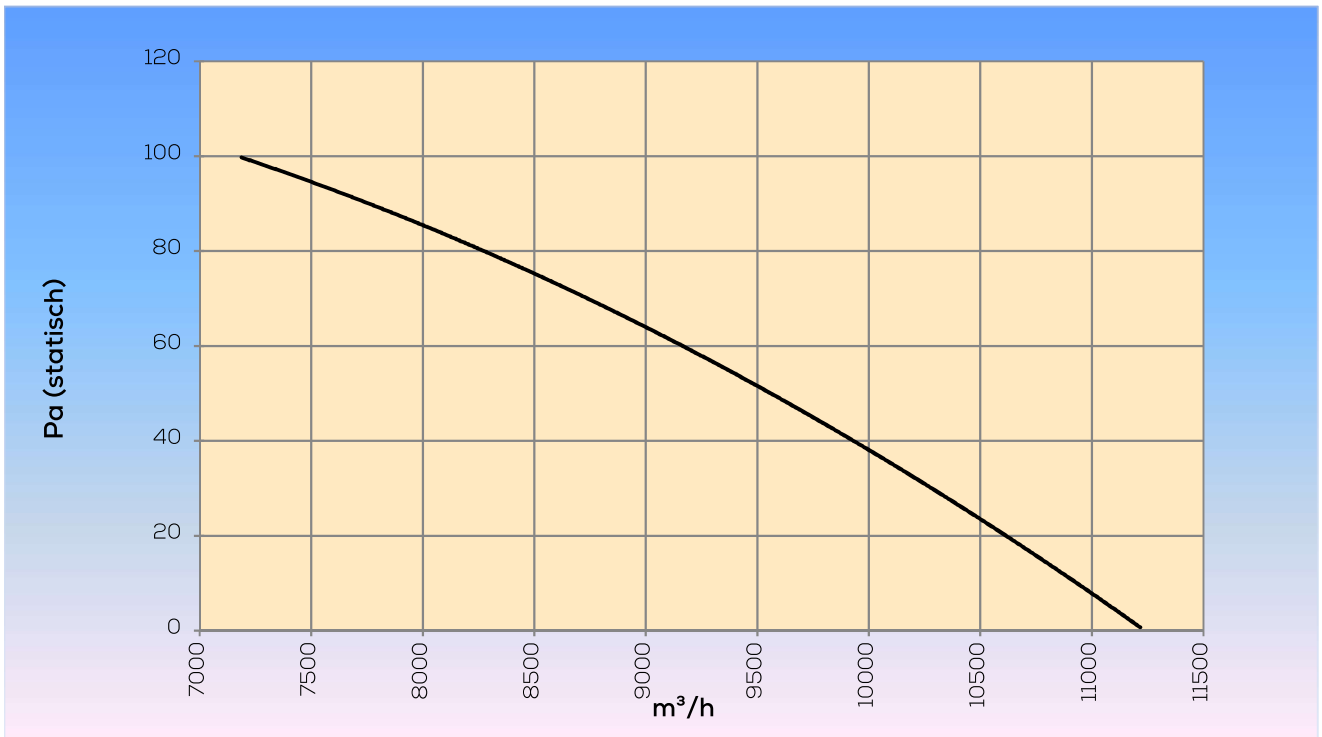
|  |          |                   |
|--|----------|-------------------|
| Max Air flow   | 11.215   | m <sup>3</sup> /h |
| Impeller speed   | 903      | rpm               |
| Input power  | 629      | W                 |
| Voltage (nominal)  | 3x400/50 | V/Hz              |
| Input current  | 1,26     | A                 |
| Enclosure class, motor                                     | 54       | IP                |
| Weight   | 24,5     | kg                |
| Max. Temperature of transported air                        | 70       | °C                |
| Max. temperature of transported air, when speed controlled | 70       | °C                |
| Sound pressure level ±2*                                   | 61       | dB(A)             |

\* (at 1,5 m near the fan with inlet and outlet ducted, in free field)

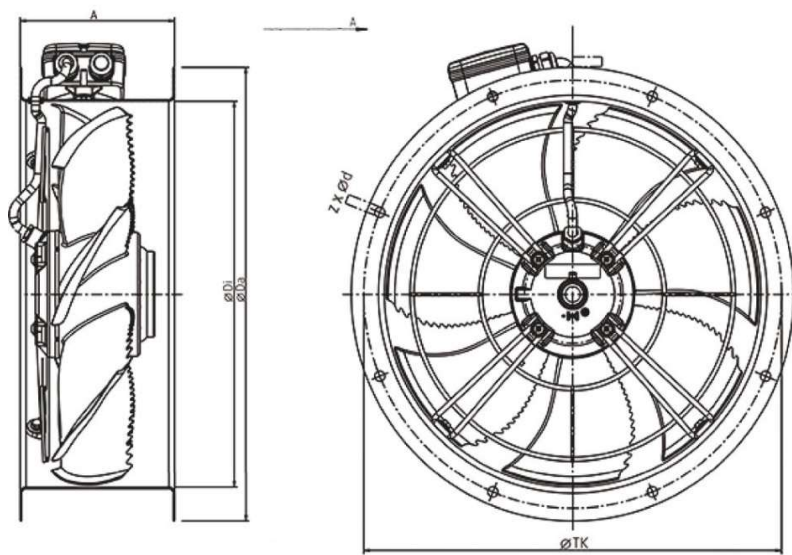
#### Options:

|                         |             |
|-------------------------|-------------|
| Louvre shutter, plastic | VK 630      |
| five-step transformer   | STRS4-25L40 |

Curve :



Dimensions:



| A   | Ødi | ØDa | ØTK | z x Ød     |
|-----|-----|-----|-----|------------|
| 235 | 634 | 720 | 690 | 12 x Ø11,5 |