

Centrifugal fan model APRI, Es.4

Single inlet fan, direct driven with an IEC-standard motor in form B3 which is mounted on a motorbase. This series of high-pressure fans is characterized by a high efficiency with electricity saving by installing a special impeller with backward curved blades. The blades are welded between the back plate disc and the aerodynamically formed front plate. The robust industrial fan is totally made of steel and painted in the agate grey color RAL 7038. The fan is suitable for the transportation of clean and slightly dusty air.

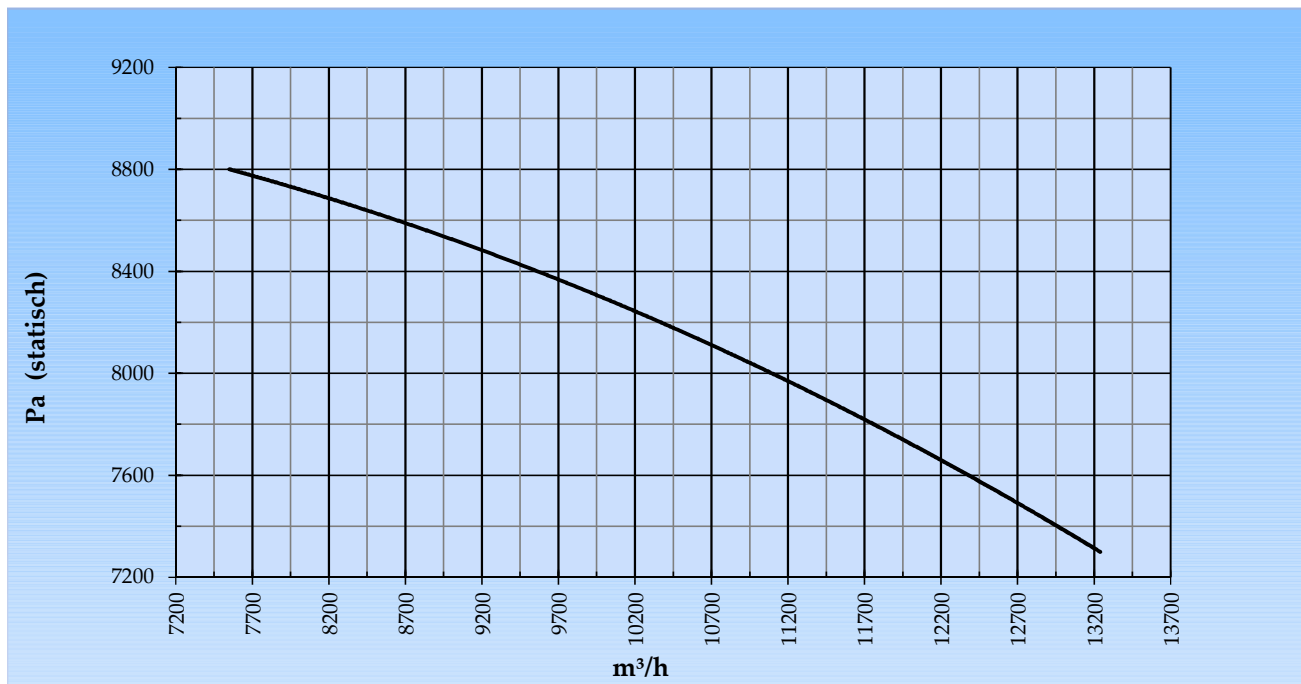
General data:

Drive	direct	
Motor position	horizontal	
Material casing/base	Steel	
Material impeller/hub	Steel	
Coating/protection	RAL 7038	
Operating temperature (max.)	15 (80)	°C
Medium density (altitude 0 m)	1,226	kg/m ³
Impeller speed	2.960	rpm
Weight	479	kg
Sound pressure level ±3 (at 1,5 m near the fan with inlet and outlet ducted, in free field)	92	dB(A)

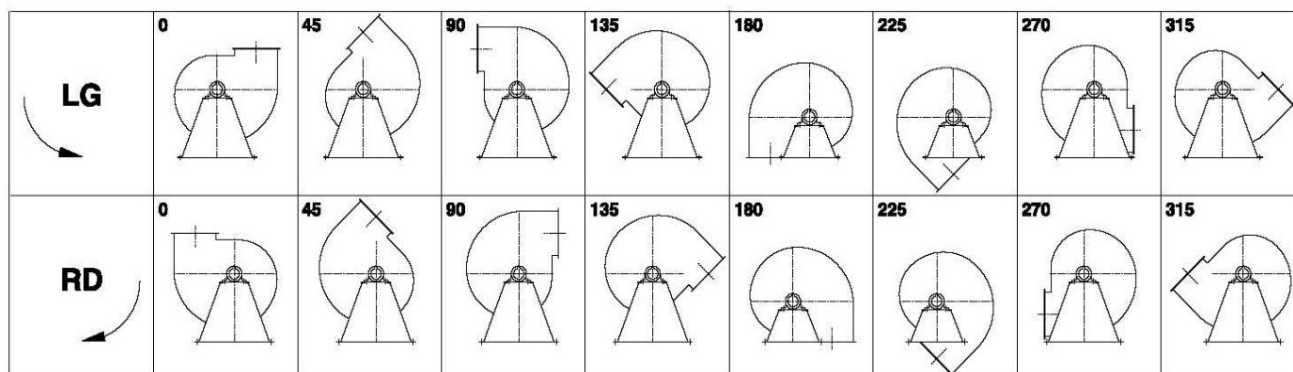
Electric motor:

	200L	IEC
Power	37,0	kW
Motor speed	2.960	rpm
Electric supply	3x400V50Hz	V/Hz
Full load current	67,8	A
Enclosure	55	IP
Shape	B3T	
Efficiency class	IE3	

Grafiek APRI 711B @ 2960rpm @ 15°C @ 0m



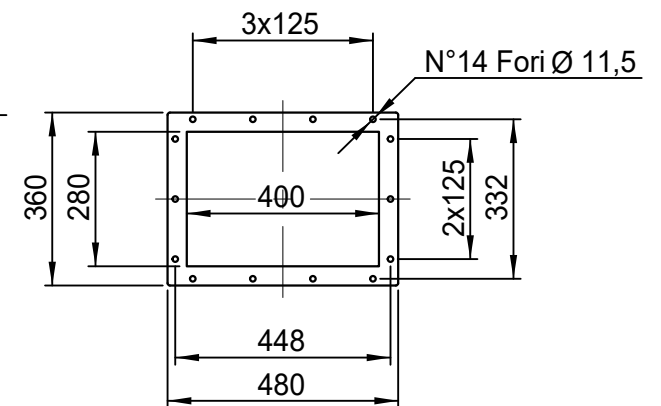
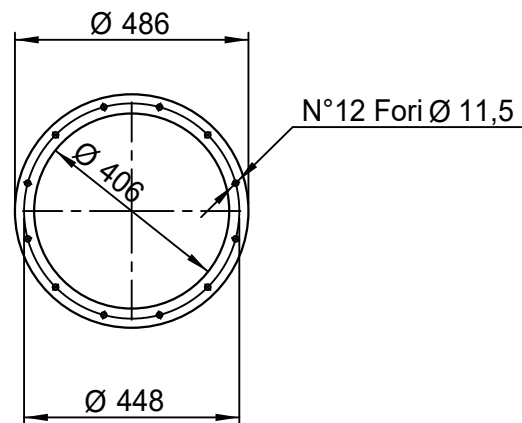
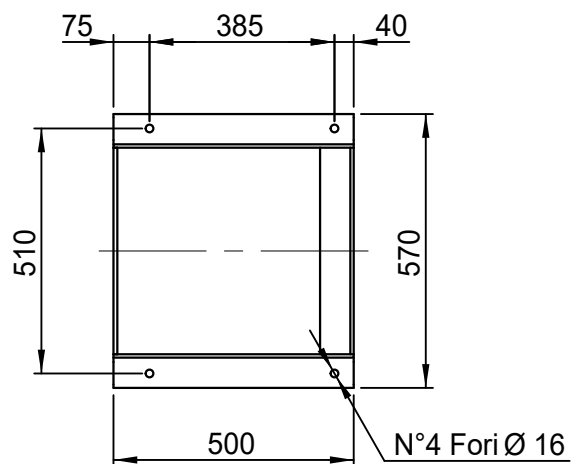
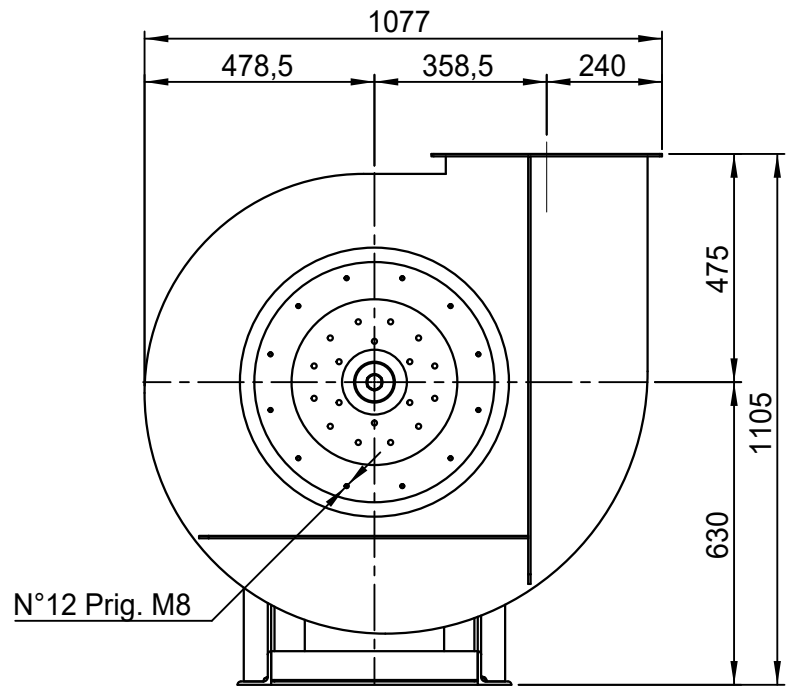
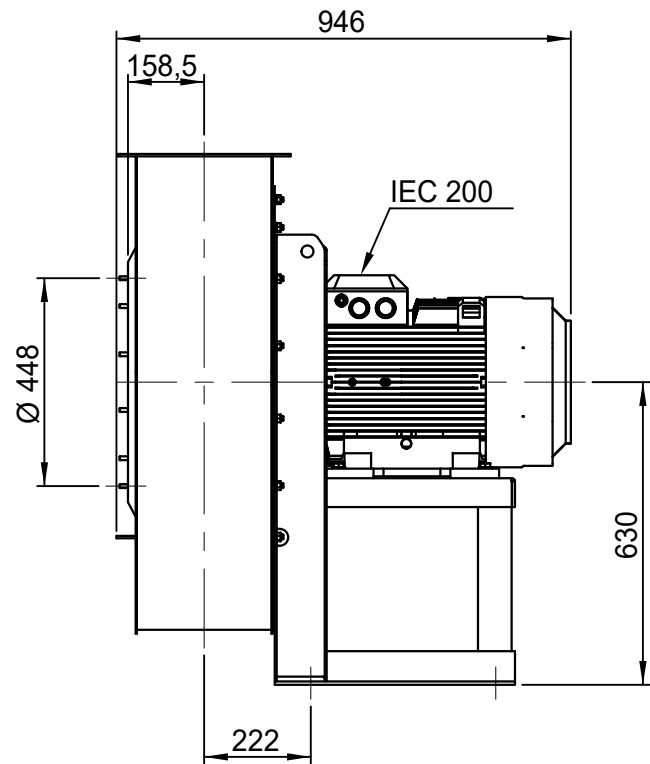
Possible discharge positions:



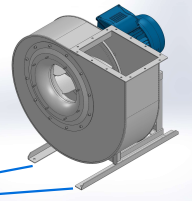
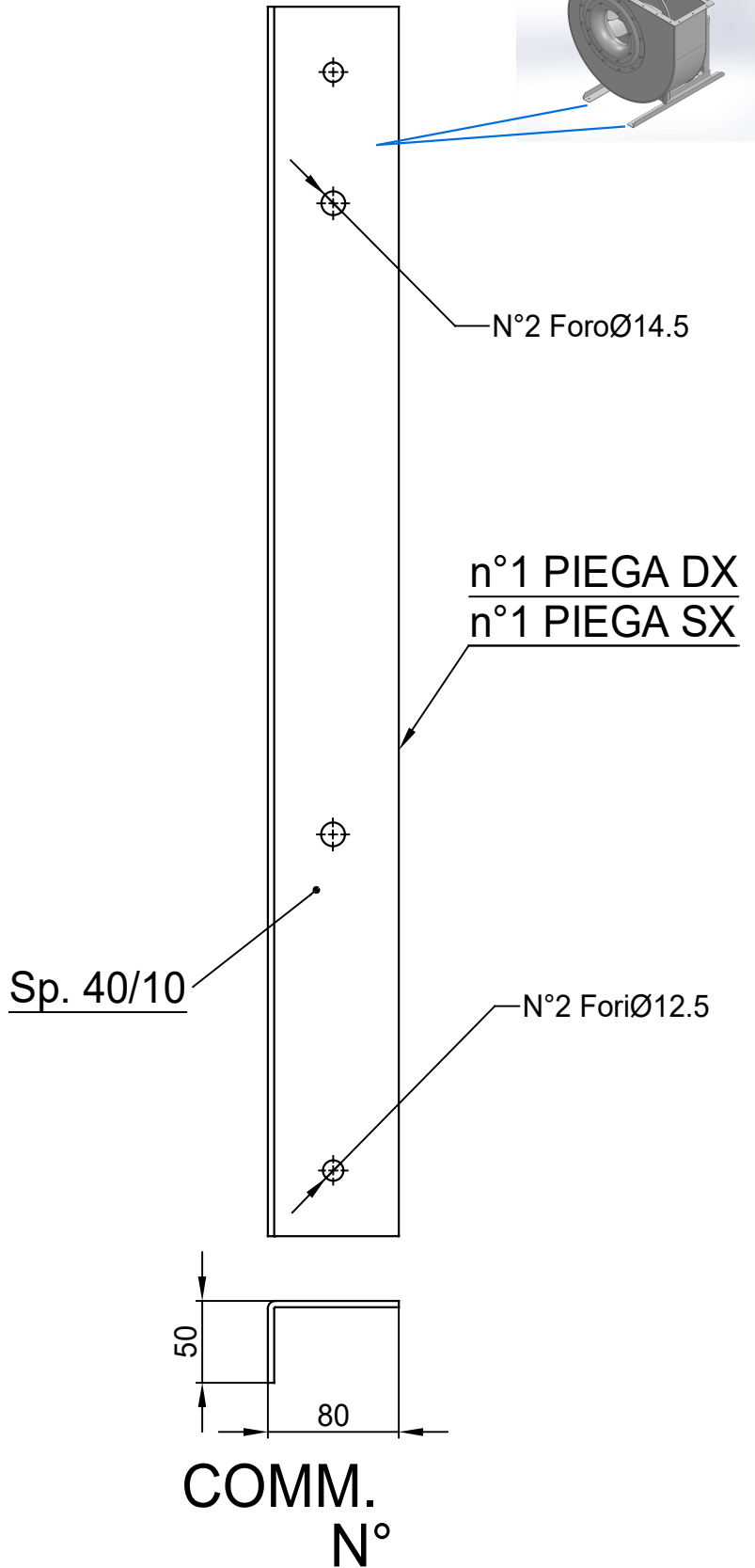
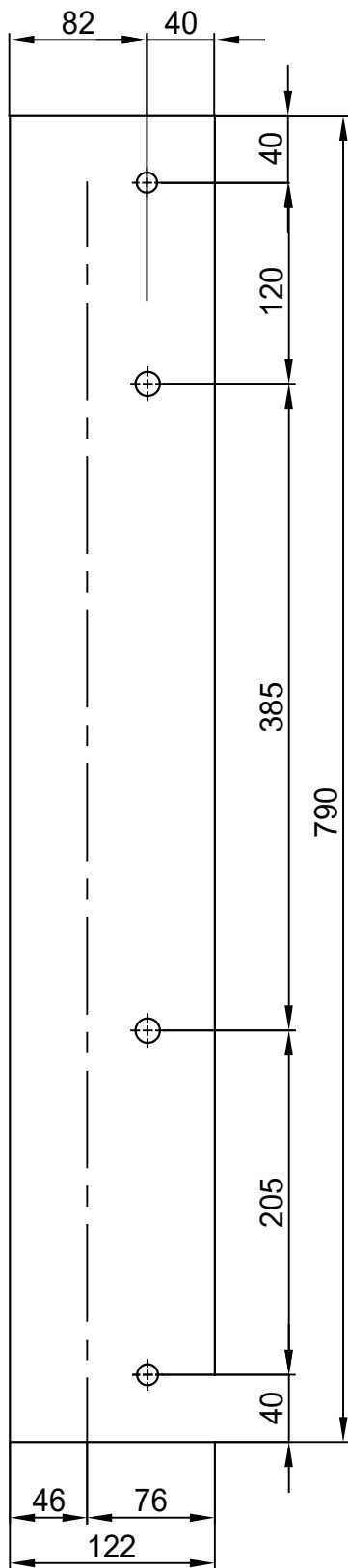
* (Pos 180 and 225 extra price)

Possible accessories

Mounting profiles for load distribution	AP20001ST
Counterflange inlet/outlet	
Flexible connection inlet/outlet max. 80°C	zzØ 406 / pz 400x280
Anti-vibration mountings	4x 70x45/B/70° ShA
Inspectiondoor	
Drain	
Shaft seal without asbestos	
Coolingwheel (medium max. 150°C)	(incl. coating RAL9006)
Flexible connection inlet/outlet max. 150°C	zzØ 406 / pz 400x280
ATEX version	Zone 1 / 2 / 21 / 22
ATEX motor	Ex nA / Exe / Ex de
Coating suitable for outdoor application	RAL 5010 / RAL
Stainless steel version	304 / 316 / ...
Acoustic enclosure	



DESCRIZIONE - DESCRIPTION	SCALA 1:15	DISEGNATO - PREPARED	FORMATO
	DATA 20/03/2015	Duregotti P.	A4
APRI 711/B - RD 0	SOSTITUISCE IL - REPLACED THE N° APRI711A411B000		
	SOSTITUITO DAL - REPLACES BY N°		
Copy 11-2-2020			N.DISEGNO - N.DRAWING
	VAPRI711B0001		REV. 00



00	04/02/2016	PRIMA EMISSIONE	RK	RK
REV	DATA - DATE	DESCRIZIONE - DESCRIPTION	DISEGNATO PREPARED	APPROVATO APPROVED
DESCRIZIONE - DESCRIPTION		MATERIALE - MATERIAL	NR.FILE	PESO - WEIGHT
		Fe 360		Kg
DESCRIZIONE - DESCRIPTION		SCALA	DISEGNATO - PREPARED	FORMATO
Staffe per Puffer L=750 IEC 200 / AP series		1:4.5	RK	A4
		SOSTITUISCE IL - REPLACES THE N°		
		SOSTITUITO DAL - REPLACES BY N°		
N.DISEGNO - N.DRAWING			REV.	
STF-AP20001ST			01	