

Centrifugal fan model APRH, Es.4

Single inlet fan, direct driven with an IEC-standard motor in form B3 which is mounted on a motorbase. This series of high-pressure fans is characterized by a high efficiency with electricity saving by installing a special impeller with backward curved blades. The blades are welded between the back plate disc and the aerodynamically formed front plate. The robust industrial fan is totally made of steel and painted in the agate grey color RAL 7038. The fan is suitable for the transportation of clean and slightly dusty air.

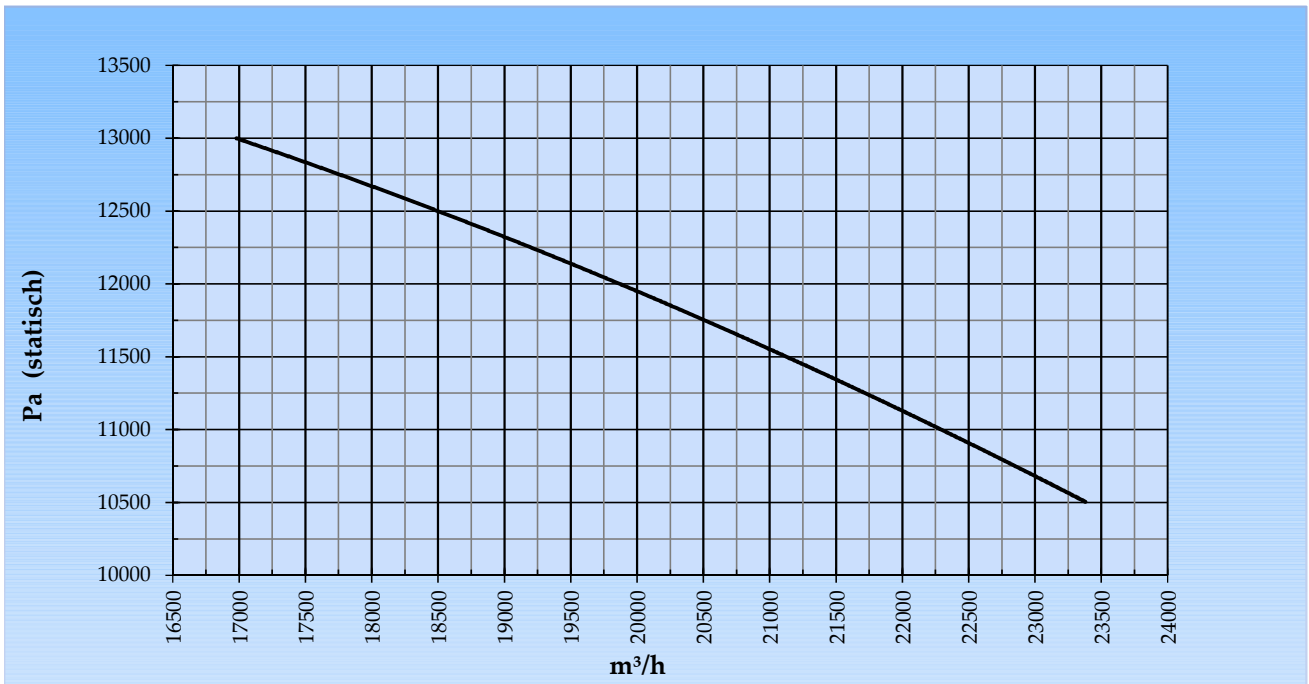
General data:

Drive	direct	
Motor position	horizontal	
Material casing/base	Steel	
Material impeller/hub	Steel	
Coating/protection	RAL 7038	
Operating temperature (max.)	15 (80)	°C
Medium density (altitude 0 m)	1,226	kg/m ³
Impeller speed	2.975	rpm
Weight	1.079	kg
Sound pressure level ±3 (at 1,5 m near the fan with inlet and outlet ducted, in free field)	96	dB(A)

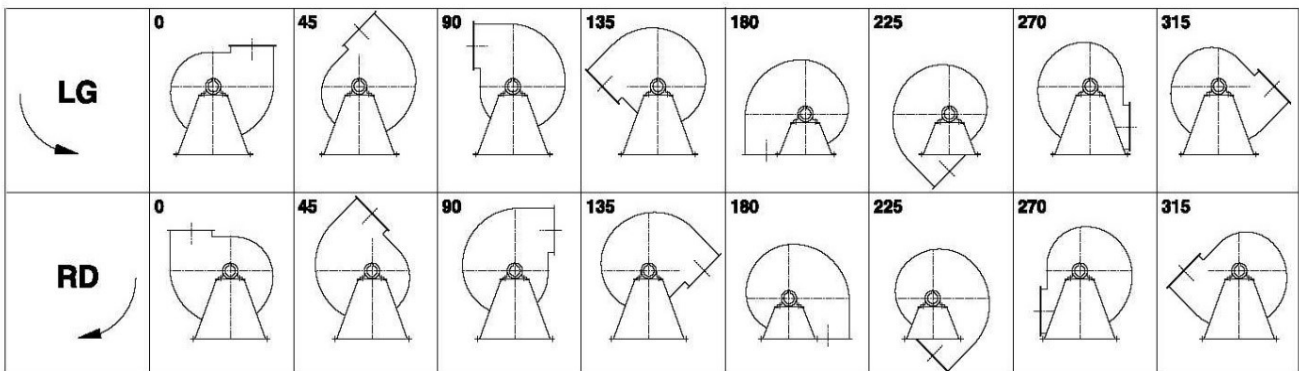
Electric motor:

	280M	IEC
Power	90,0	kW
Motor speed	2.975	rpm
Electric supply	3x400V50Hz	V/Hz
Full load current	152,0	A
Enclosure	55	IP
Shape	B3T	
Efficiency class	IE3	

Curve APRH 902A @ 2975rpm @ 15°C @ 0m



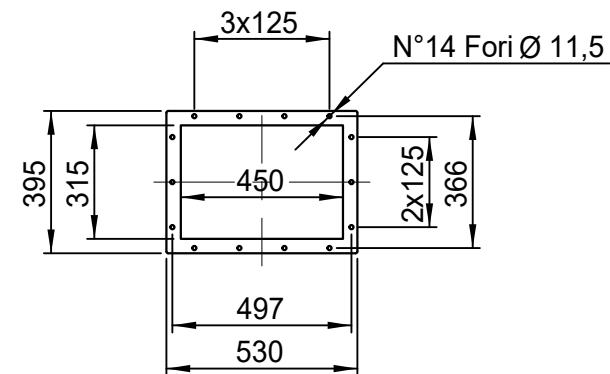
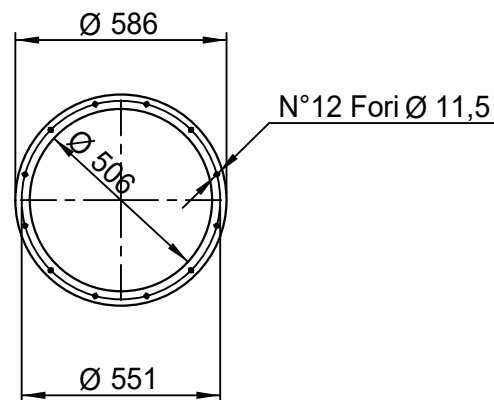
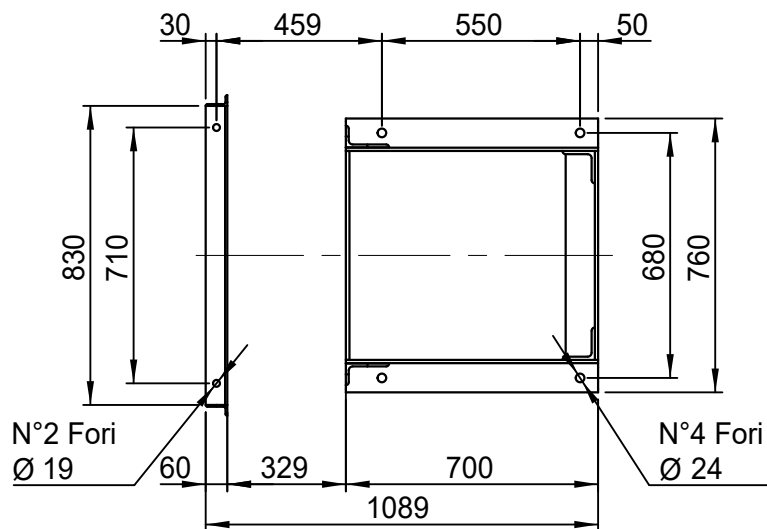
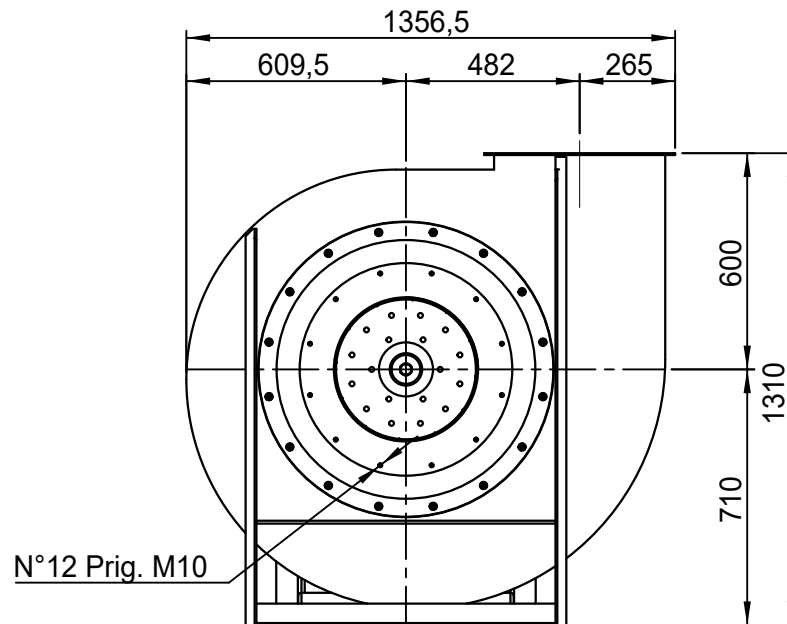
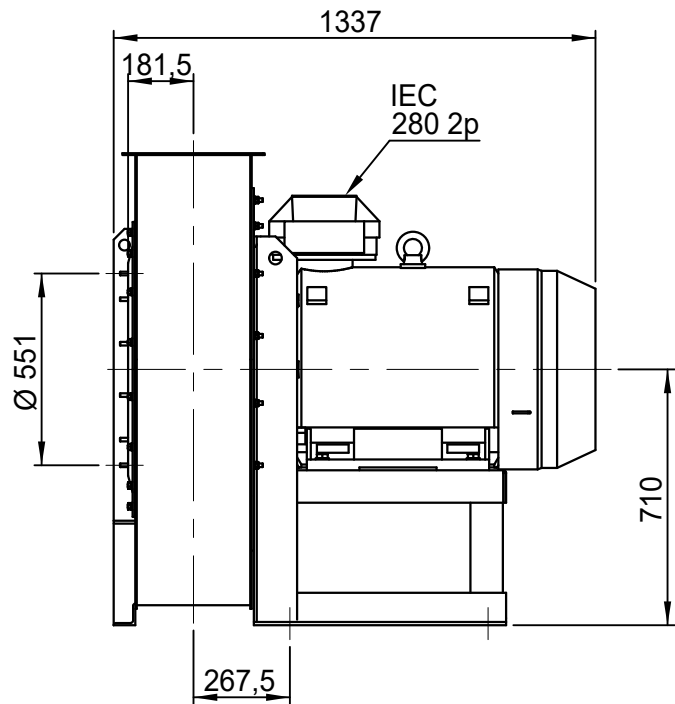
Possible discharge positions:



* (Pos 180 and 225 extra price)

Possible accessories

Mounting profiles for load distribution	--
Counterflange inlet/outlet	
Flexible connection inlet/outlet max. 80°C	zzØ 506 / pz 450x315
Anti-vibration mountings	6x 70x45/B/70° ShA
Inspectiondoor	
Drain	
Shaft seal without asbestos	
Coolingwheel (medium max. 150°C)	(incl. coating RAL9006)
Flexible connection inlet/outlet max. 150°C	zzØ 506 / pz 450x315
ATEX version	Zone 1 / 2 / 21 / 22
ATEX motor	Ex nA / Exe / Ex de
Coating suitable for outdoor application	RAL 5010 / RAL
Stainless steel version	304 / 316 / ...
Acoustic enclosure	



DESCRIZIONE - DESCRIPTION	SCALA 1:20	DISEGNATO - PREPARED	FORMATO
	DATA 10/03/2015	Duregotti P.	A4
APRH 902/A - RD 0			
SOSTITUISCE IL - REPLACES THE N° APRH902A411A000			
SOSTITUITO DAL - REPLACES BY N°			
Copy 11-2-2020	N.DISEGNO - N.DRAWING		REV.
Slingerland ventilatoren		VAPRH902A0002	00