

Centrifugal fan model APRH, Es.4

Single inlet fan, direct driven with an IEC-standard motor in form B3 which is mounted on a motorbase. This series of high-pressure fans is characterized by a high efficiency with electricity saving by installing a special impeller with backward curved blades. The blades are welded between the back plate disc and the aerodynamically formed front plate. The robust industrial fan is totally made of steel and painted in the agate grey color RAL 7038. The fan is suitable for the transportation of clean and slightly dusty air.

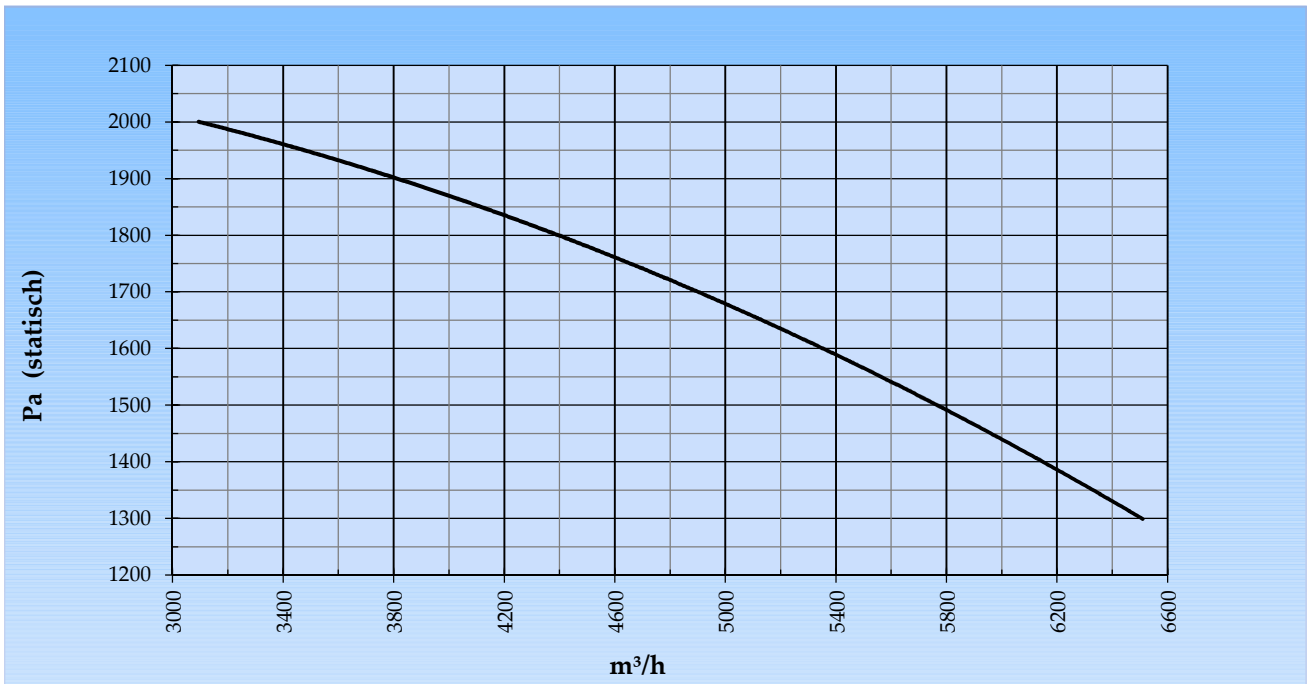
General data:

Drive	direct	
Motor position	horizontal	
Material casing/base	Steel	
Material impeller/hub	Steel	
Coating/protection	RAL 7038	
Operating temperature (max.)	15 (80)	°C
Medium density (altitude 0 m)	1,226	kg/m ³
Impeller speed	1.450	rpm
Weight	238	kg
Sound pressure level ±3 (at 1,5 m near the fan with inlet and outlet ducted, in free field)	76	dB(A)

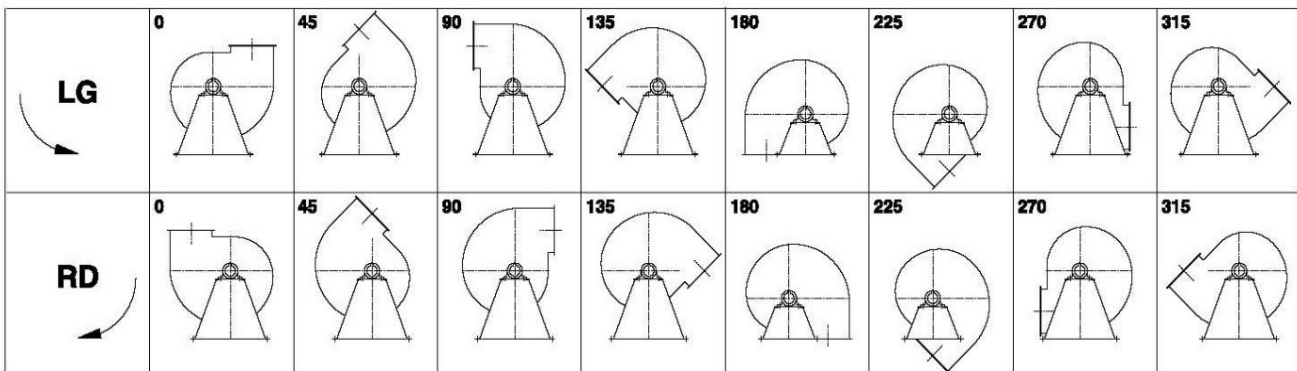
Electric motor:

	112M	IEC
Power	4,0	kW
Motor speed	1.450	rpm
Electric supply	3x400V50Hz	V/Hz
Full load current	8,0	A
Enclosure	55	IP
Shape	B3T	
Efficiency class	IE3	

Curve APRH 712B @ 1450rpm @ 15°C @ 0m



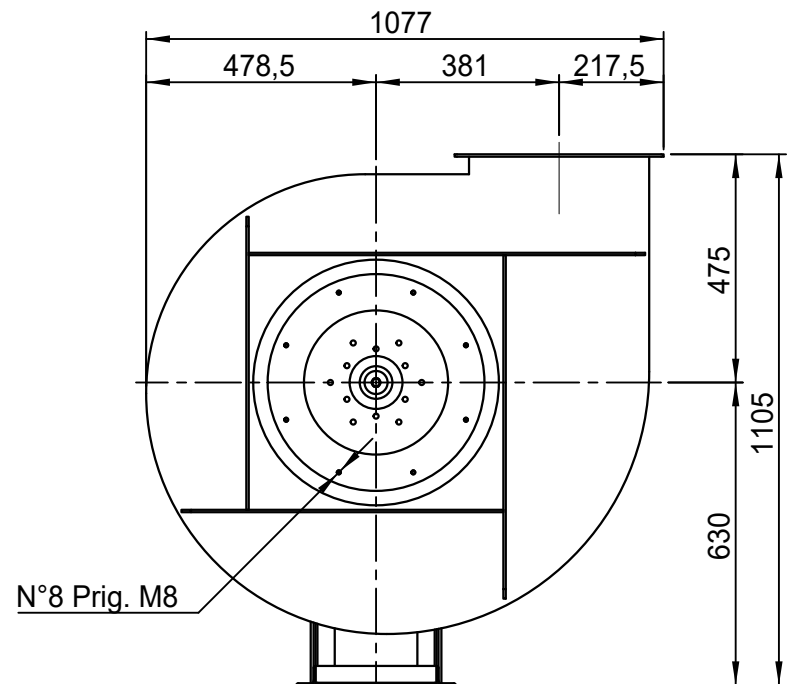
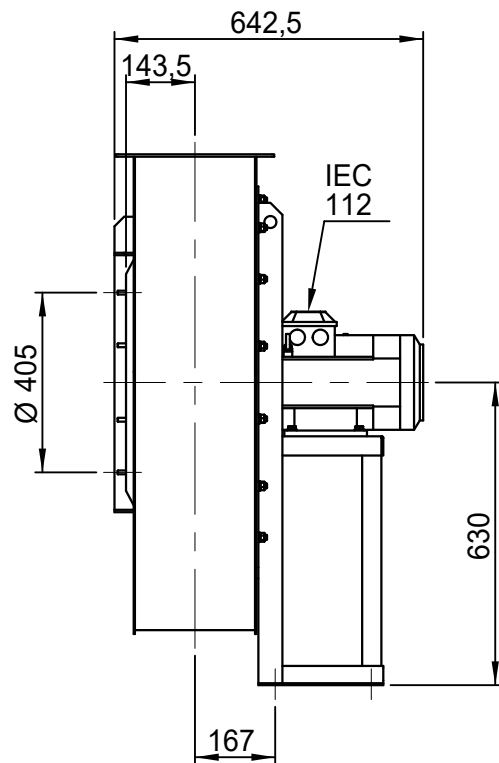
Possible discharge positions:



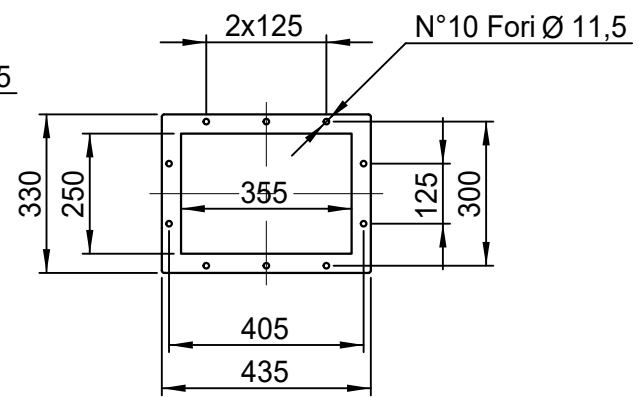
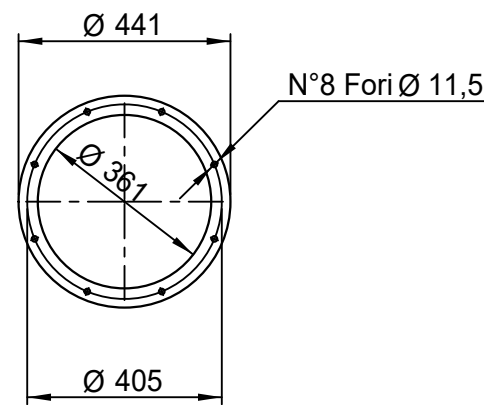
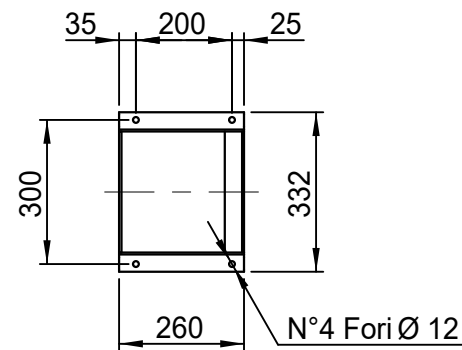
* (Pos 180 and 225 extra price)

Possible accessories

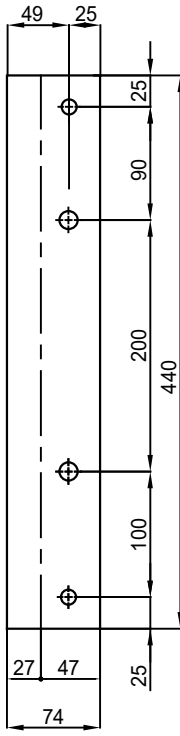
Mounting profiles for load distribution	AP100-11201ST
Counterflange inlet/outlet	
Flexible connection inlet/outlet max. 80°C	zzØ 361 / pz 355x250
Anti-vibration mountings	4x 50x40/B/40° ShA
Inspectiondoor	
Drain	
Shaft seal without asbestos	
Coolingwheel (medium max. 150°C)	(incl. coating RAL9006)
Flexible connection inlet/outlet max. 150°C	zzØ 361 / pz 355x250
ATEX version	Zone 1 / 2 / 21 / 22
ATEX motor	Ex nA / Exe / Ex de
Coating suitable for outdoor application	RAL 5010 / RAL
Stainless steel version	304 / 316 / ...
Acoustic enclosure	



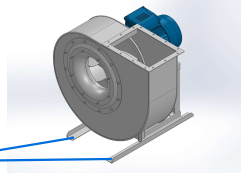
N°8 Prig. M8



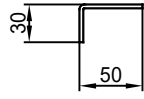
DESCRIZIONE - DESCRIPTION	SCALA 1:15	DISEGNATO - PREPARED	FORMATO
	DATA 09/03/2015	Duregotti P.	A4
APRH 712/B - RD 0	SOSTITUISCE IL - REPLACED THE N° APRH712A411B000		
	SOSTITUITO DAL - REPLACES BY N°		
Copy 11-2-2020	N.DISEGNO - N.DRAWING		REV.
		VAPRH712B0005	00



Sp. 30/10



n°1 PIEGA DX
n°1 PIEGA SX



COMM.
N°

00	02/02/2016	PRIMA EMISSIONE	RK	RK
01	16/09/2020	Extention pedestal	MvS	MvS

REV	DATA - DATE	DESCRIZIONE - DESCRIPTION	DISEGNATO PREPARED	CONTROLLATO CHECKED
-----	-------------	---------------------------	--------------------	---------------------

DESCRIZIONE - DESCRIPTION	MATERIALE - MATERIAL	NR.FILE	PESO - WEIGHT
	Fe 360		Kg

DESCRIZIONE - DESCRIPTION Staffe per Puffer L=440 IEC 100-112 / AP series	SCALA 1:4	DISEGNATO - PREPARED	FORMATO
	DATA 02/02/2016	RK	A4
	SOSTITUISCE IL - REPLACED THE N° SOSTITUITO DAL - REPLACES BY N°		

N.DISEGNO - N.DRAWING		REV.
STF-AP10011201ST		01