

Centrifugal fan model APRF, Es.4

Single inlet fan, direct driven with an IEC-standard motor in form B3 which is mounted on a motorbase. This series of high-pressure fans is characterized by a high efficiency with electricity saving by installing a special impeller with backward curved blades. The robust industrial fan is totally made of steel and painted in the agate gray RAL 7038. The fan is suitable for the transportation of clean and slightly dusty air.

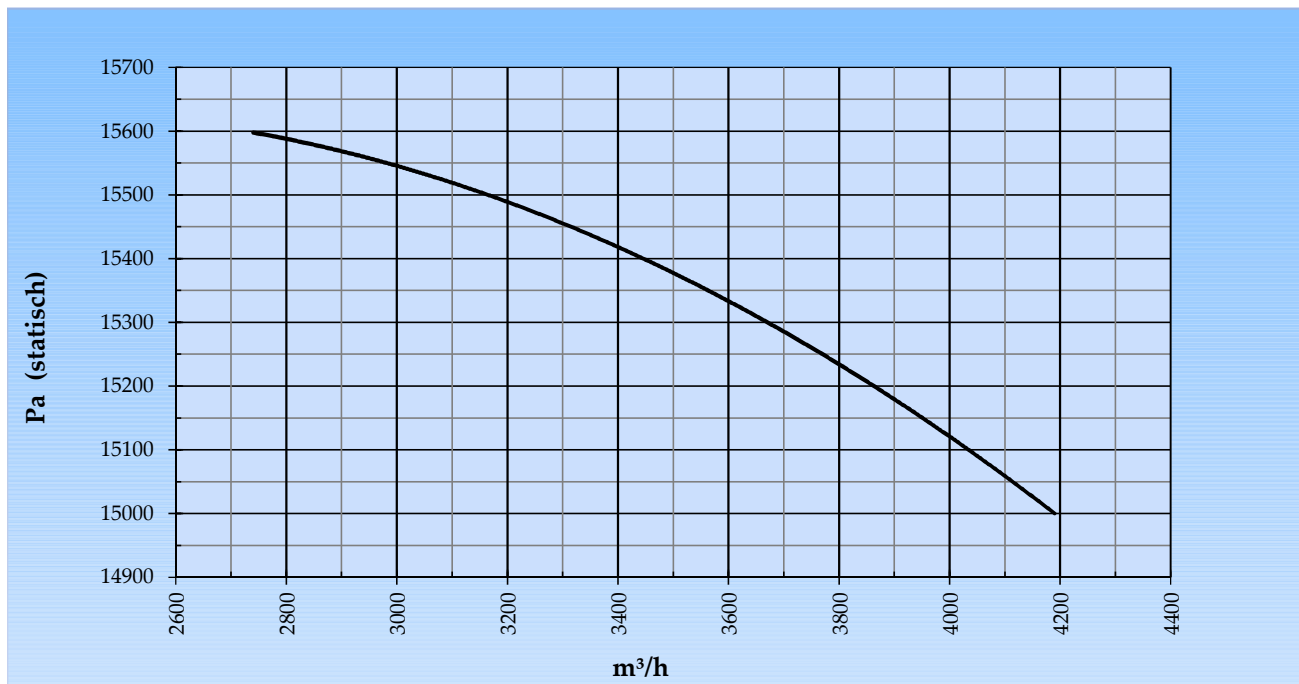
General data:

Drive	direct	
Motor position	horizontal	
Material casing/base	Steel	
Material impeller/hub	Steel	
Coating/protection	RAL 7038	
Operating temperature (max.)	15 (80)	°C
Medium density (altitude 0 m)	1,226	kg/m ³
Impeller speed	2.965	rpm
Weight	473	kg
Sound pressure level ±3 (at 1,5 m near the fan with inlet and outlet ducted, in free field)	87	dB(A)

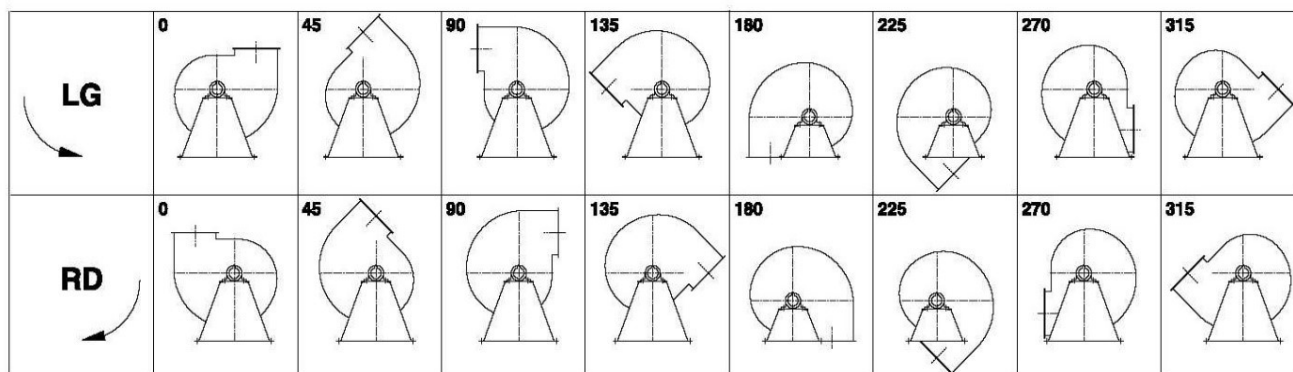
Electric motor:

	200L	IEC
Power	30,0	kW
Motor speed	2.965	rpm
Electric supply	3x400V50Hz	V/Hz
Full load current	54,5	A
Enclosure	55	IP
Shape	B3T	
Efficiency class	IE3	

Curve APRF 901C @ 2965rpm @ 15°C @ 0m



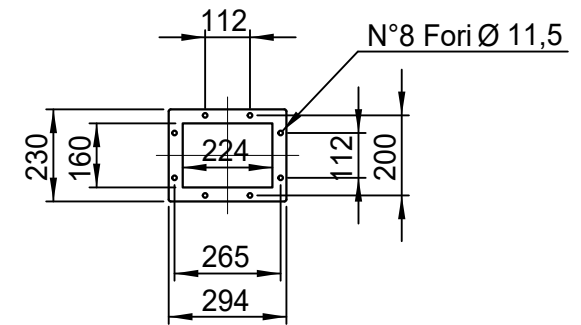
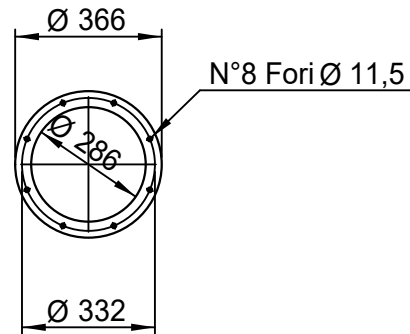
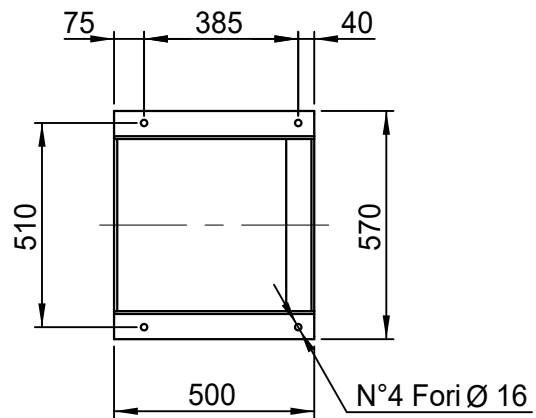
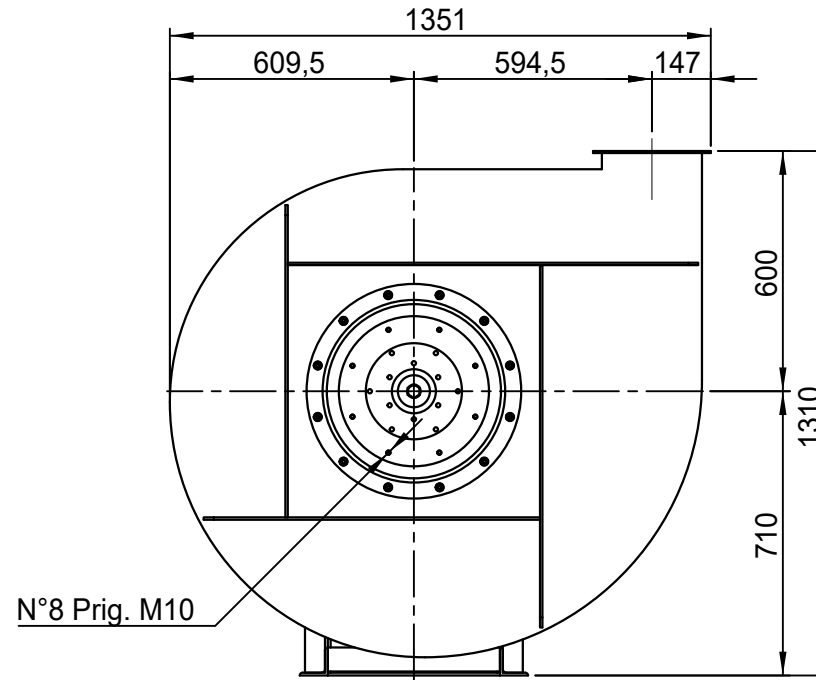
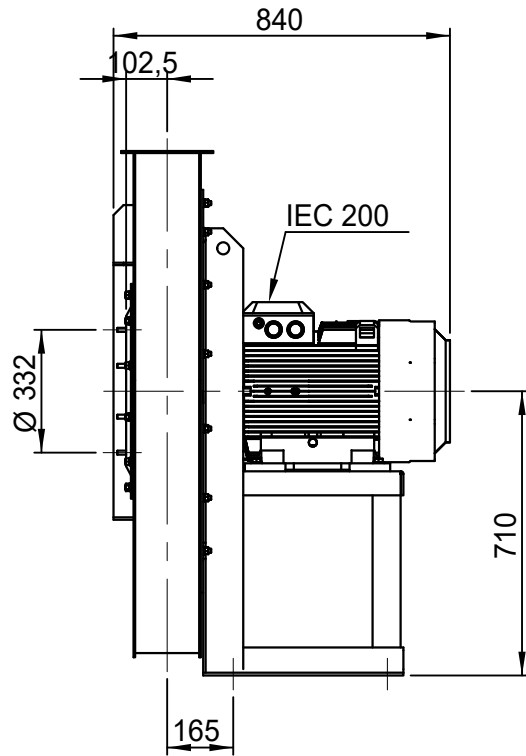
Possible discharge positions:



* (Pos 180 en 225 tegen meerprijs)

Possible accessories

Mounting profiles for load distribution	AP20001ST
Counterflange inlet/outlet	
Flexible connection inlet/outlet max. 80°C	zzØ 286 / pz 224x160
Anti-vibration mountings	4x 70x45/B/70° ShA
Inspectiondoor	
Drain connection	
Shaft seal without asbestos	
Coolingwheel (medium max. 150°C)	(incl. coating RAL9006)
Flexible connection inlet/outlet max. 150°C	zzØ 286 / pz 224x160
ATEX version	Zone 1 / 2 / 21 / 22
ATEX motor	Ex nA / Exe / Ex de
Coating suitable for outdoor application	RAL 5010 / RAL ...
Stainless steel version	304 / 316 / ...
Acoustic enclosure	



APRF 901/C - RD 0

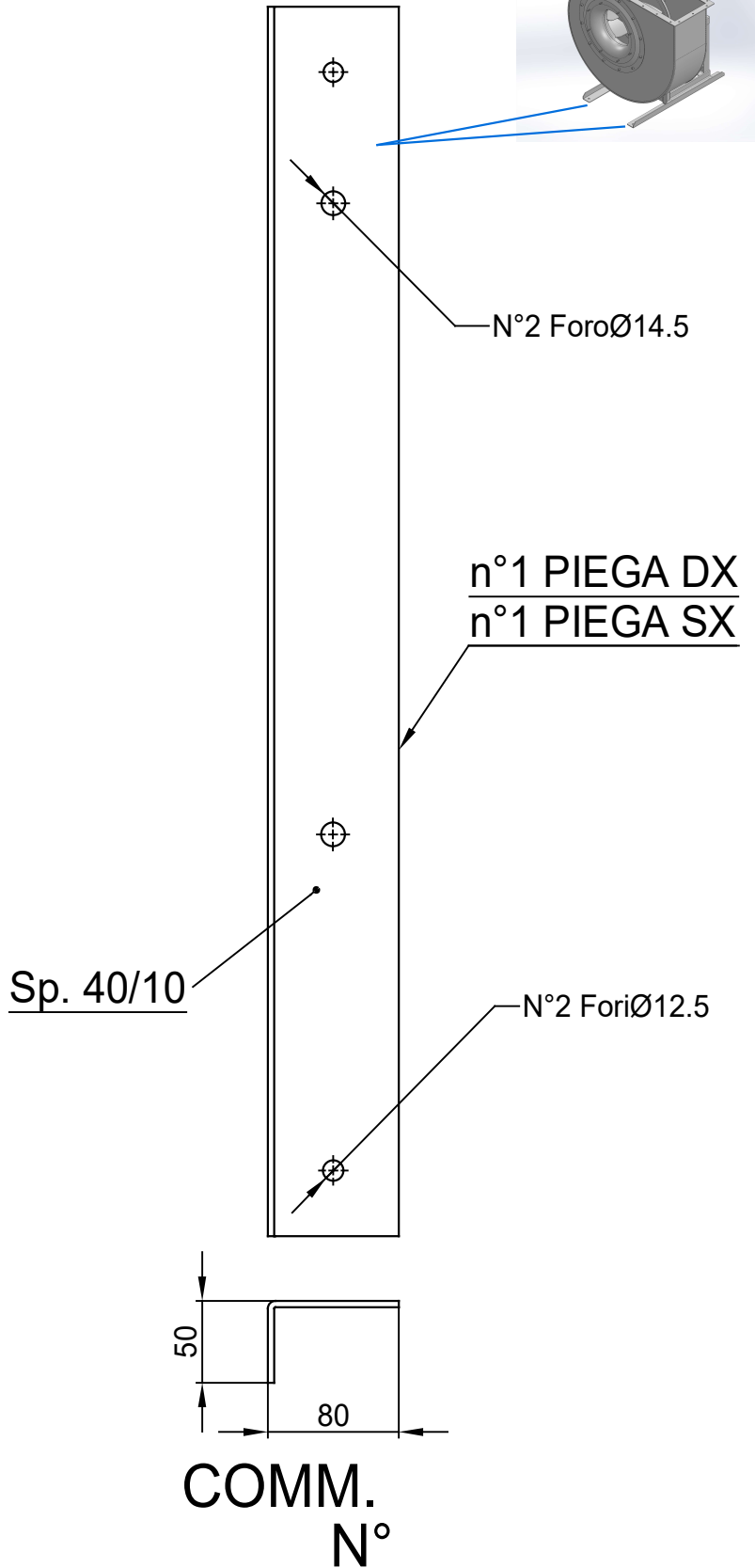
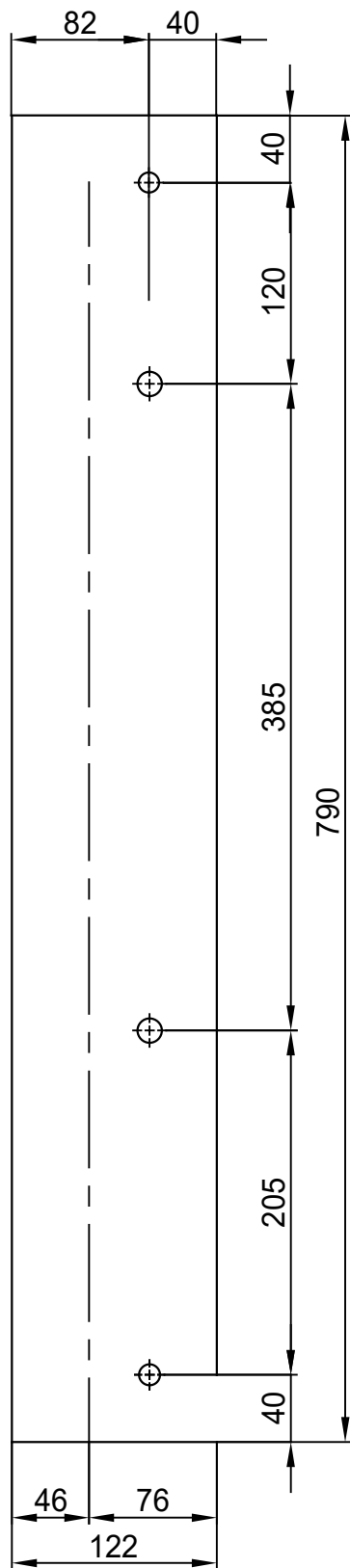
SCALA	1:18	FORMATO
DATA	04/02/2015	A4
SOSTITUISCE IL - REPLACES THE N° APRF901A411C000		
SOSTITUITO DAL - REPLACES BY N°		

Copy 7-2-2020

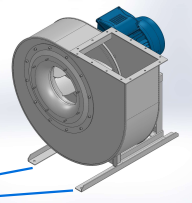
Slingerland
ventilatoren 

REV.

00



COMM.
N°



00	04/02/2016	PRIMA EMISSIONE	RK	RK
REV	DATA - DATE	DESCRIZIONE - DESCRIPTION	DISEGNATO PREPARED	APPROVATO APPROVED
DESCRIZIONE - DESCRIPTION		MATERIALE - MATERIAL	NR.FILE	PESO - WEIGHT
		Fe 360		Kg
DESCRIZIONE - DESCRIPTION		SCALA	DISEGNATO - PREPARED	FORMATO
Staffe per Puffer L=750		1:4.5	RK	A4
IEC 200 / AP series		DATA		
		04/02/2016		
		SOSTITUISCE IL - REPLACES THE N°		
		SOSTITUITO DAL - REPLACES BY N°		
N.DISEGNO - N.DRAWING			REV.	
STF-AP20001ST			01	

