

Centrifugal fan model APRF, Es.4

Single inlet fan, direct driven with an IEC-standard motor in form B3 which is mounted on a motorbase. This series of high-pressure fans is characterized by a high efficiency with electricity saving by installing a special impeller with backward curved blades. The robust industrial fan is totally made of steel and painted in the agate gray RAL 7038. The fan is suitable for the transportation of clean and slightly dusty air.

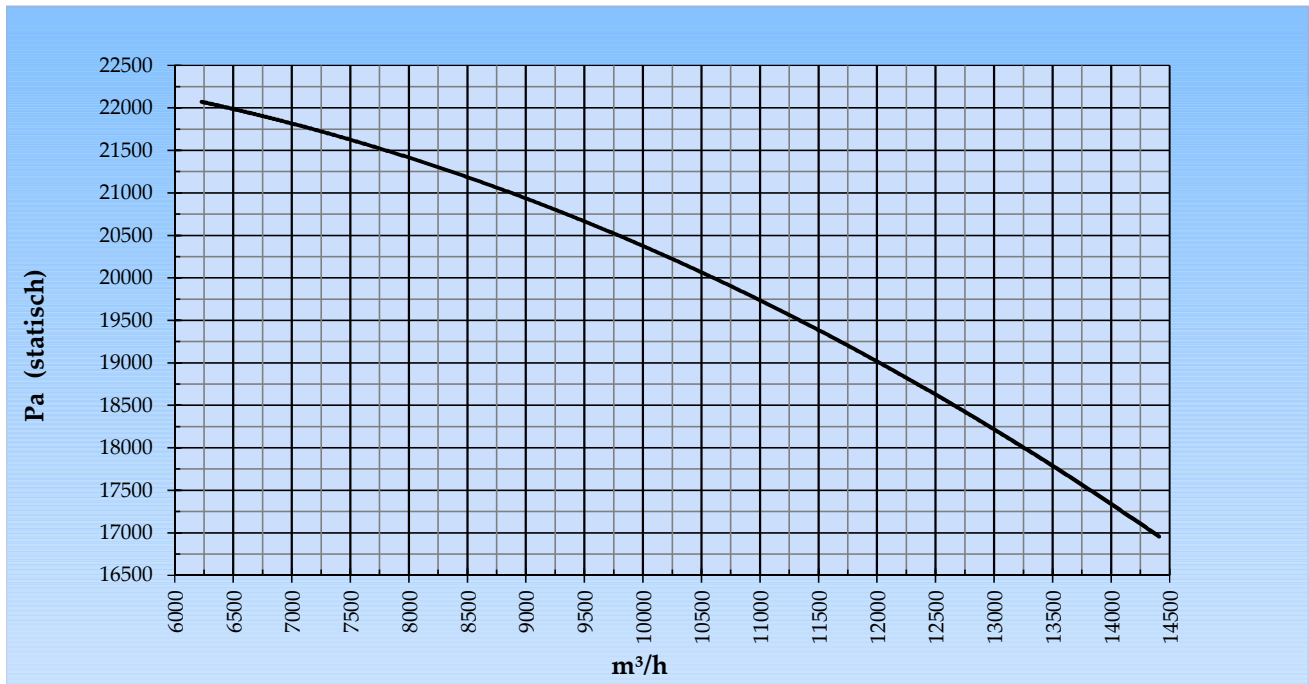
General data:

Drive	direct	
Motor position	horizontal	
Material casing/base	Steel	
Material impeller/hub	Steel	
Coating/protection	RAL 7038	
Operating temperature (max.)	15 (80)	°C
Medium density (altitude 0 m)	1,226	kg/m ³
Impeller speed	2.980	rpm
Weight	1.410	kg
Sound pressure level ±3 (at 1,5 m near the fan with inlet and outlet ducted, in free field)	94	dB(A)

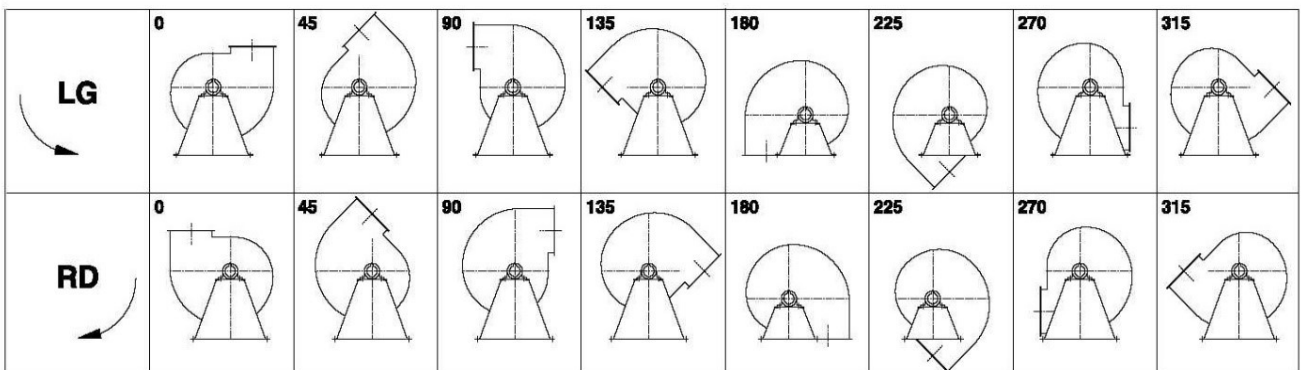
Electric motor:

	315S	IEC
Power	110,0	kW
Motor speed	2.980	rpm
Electric supply	3x400V50Hz	V/Hz
Full load current	189,0	A
Enclosure	55	IP
Shape	B3T	
Efficiency class	IE3	

Curve APRF 1122C @ 2980rpm @ 15°C @ 0m



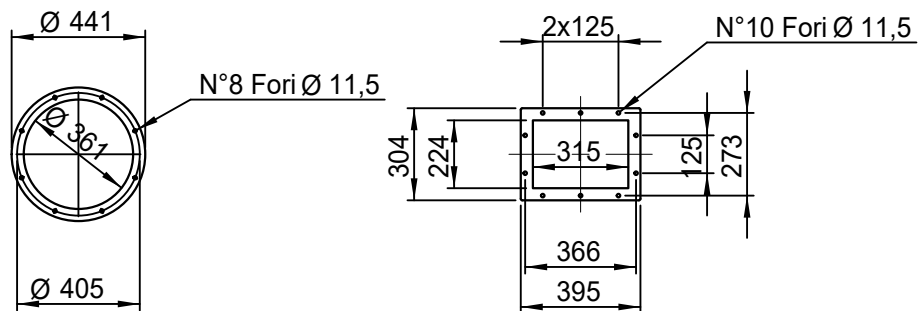
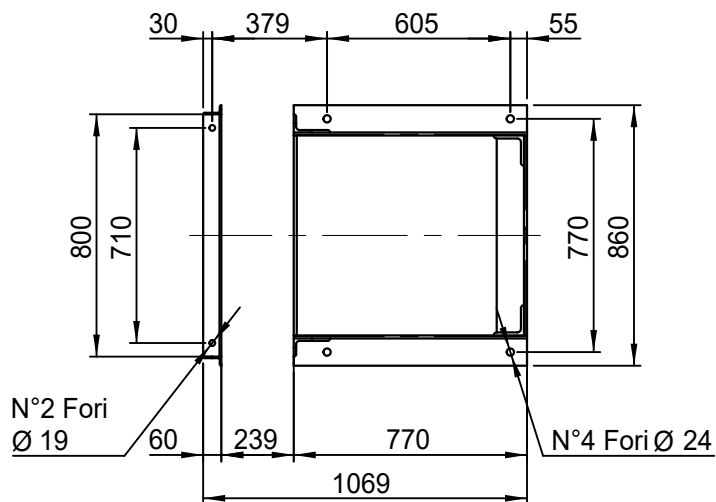
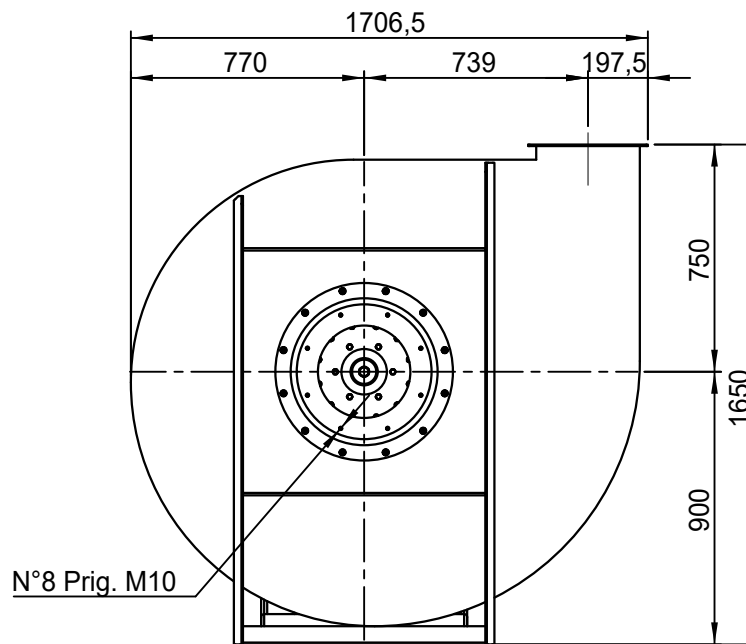
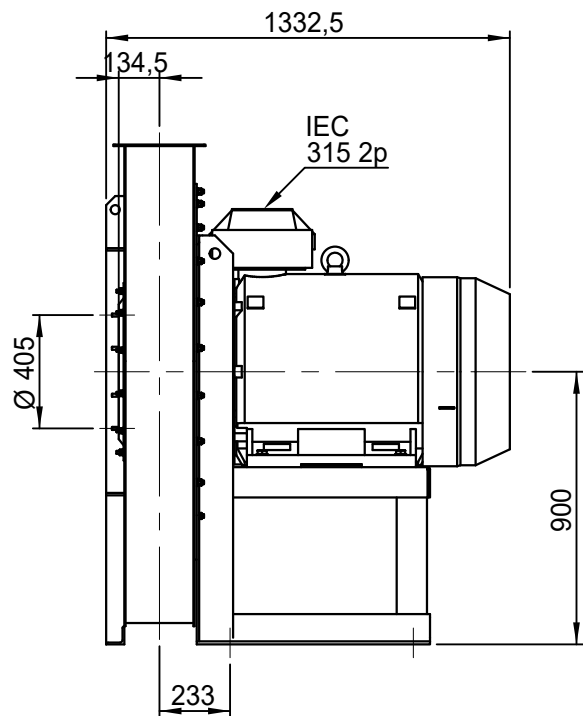
Possible discharge positions:



* (Pos 180 en 225 tegen meerprijs)

Possible accessories

Mounting profiles for load distribution	--
Counterflange inlet/outlet	
Flexible connection inlet/outlet max. 80°C	zzØ 361 / pz 315x224
Anti-vibration mountings	6x 100x55/B/70° ShA
Inspectiondoor	
Drain connection	
Shaft seal without asbestos	
Coolingwheel (medium max. 150°C)	(incl. coating RAL9006)
Flexible connection inlet/outlet max. 150°C	zzØ 361 / pz 315x224
ATEX version	Zone 1 / 2 / 21 / 22
ATEX motor	Ex nA / Exe / Ex de
Coating suitable for outdoor application	RAL 5010 / RAL ...
Stainless steel version	304 / 316 / ...
Acoustic enclosure	



DESCRIZIONE - DESCRIPTION		SCALA 1:22	DISEGNATO - PREPARED	FORMATO
APRF 1122/C - RD 0		DATA 24/02/2015	Duregotti P.	A4
		SOSTITUISCE IL - REPLACED THE N° APRF1B2A411C000		
		SOSTITUITO DAL - REPLACES BY N°		
Copy 10-2-2020	Slingerland ventilatoren	N.DISEGNO - N.DRAWING		REV.
VAPRF1B2C0005			00	