



Centrifugal fan model APG Es.4

Single inlet fan, direct driven with an IEC-standard motor in form B3 which is mounted on a motorbase. The overhang impeller is mounted on the motor shaft and has forward curved blades. The blades are welded between the back plate disc and the aerodynamically formed front plate. The fans of this series are particularly suitable for pneumatic transport, in cement factories, in the air supply of cupola furnaces, in foundries and oil burners, in mills, pasta factories, in chemical, steel and metallurgical industries where small flow rates with medium and high pressures are required.

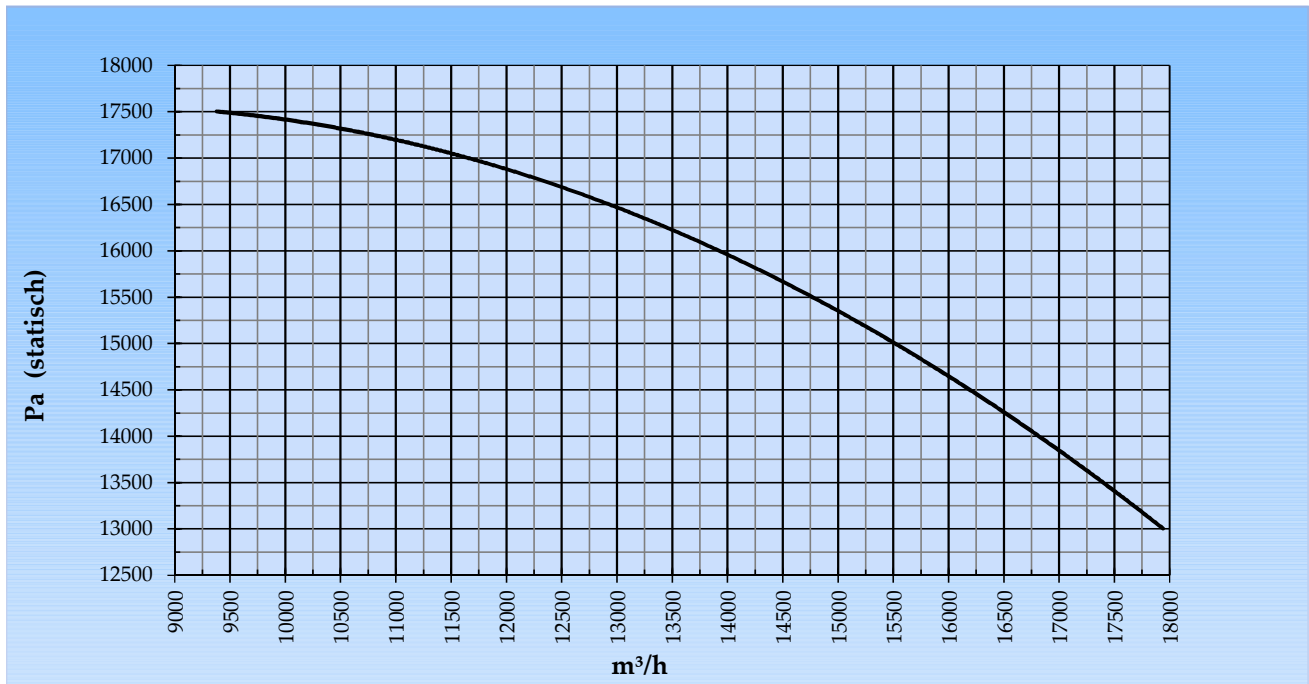
General data:

Drive	direct	
Motor position	horizontal	
Material casing/base	Steel	
Material impeller/hub	Steel	
Coating/protection	RAL 7038	
Operating temperature (max.)	15 (80)	°C
Medium density (altitude 0 m)	1,226	kg/m ³
Impeller speed	2.980	rpm
Weight	1.509	kg
Sound pressure level ±3 (at 1,5 m near the fan with inlet and outlet ducted, in free field)	93	dB(A)

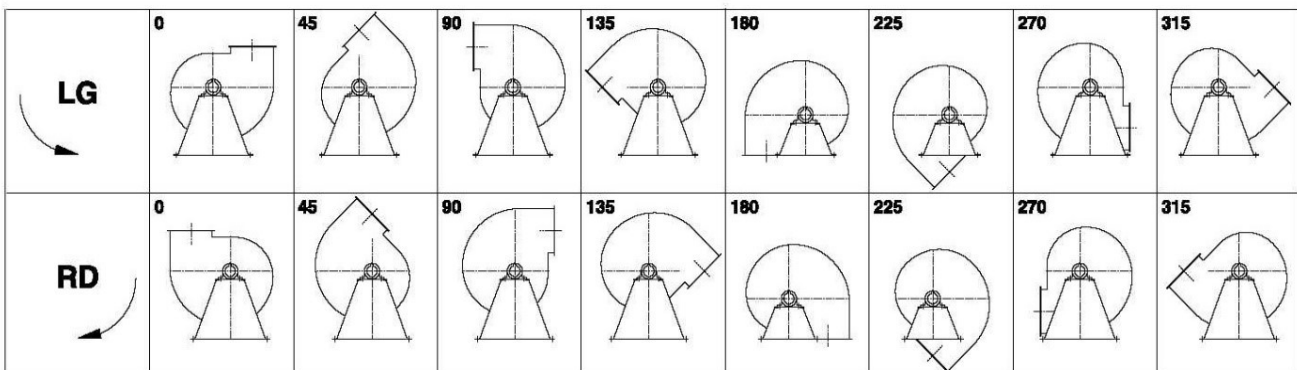
Electric motor:

	315M	IEC
Power	132,0	kW
Motor speed	2.980	rpm
Electric supply	3x400V50Hz	V/Hz
Full load current	224,0	A
Enclosure	55	IP
Shape	B3T	
Efficiency class	IE3	

Curve APG 901D @ 2980rpm @ 15°C @ 0m



Possible discharge positions:

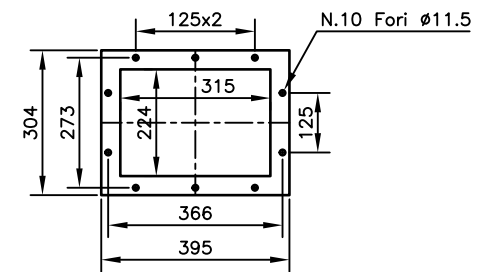
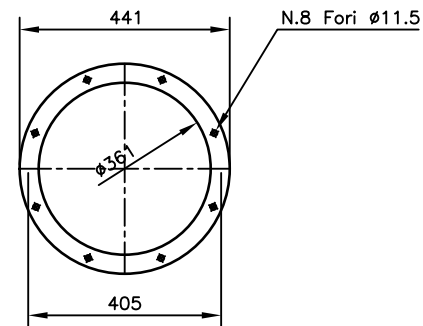
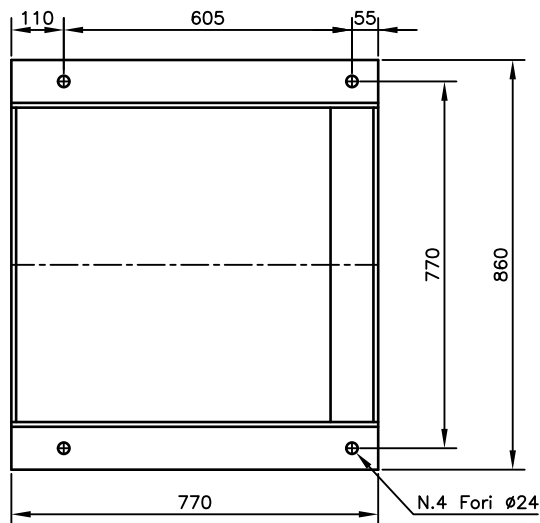
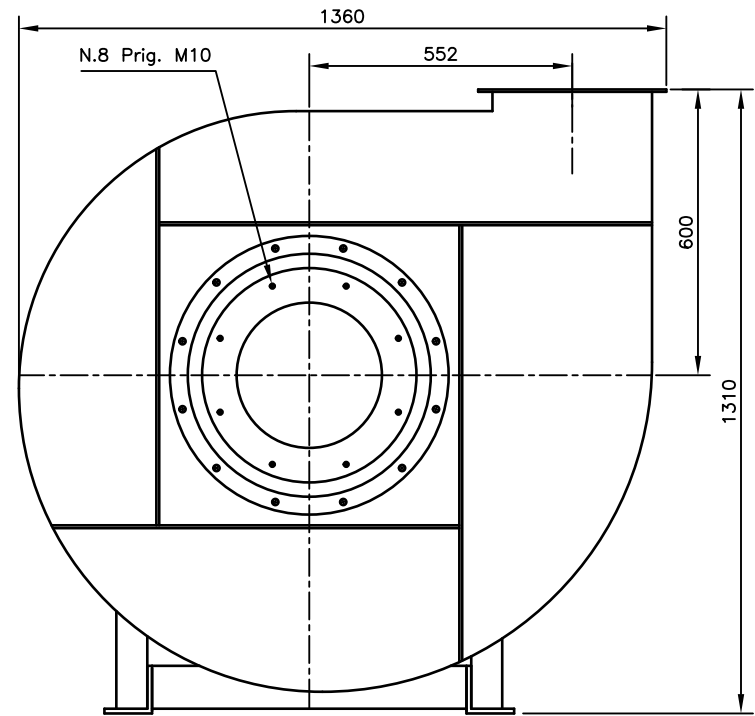
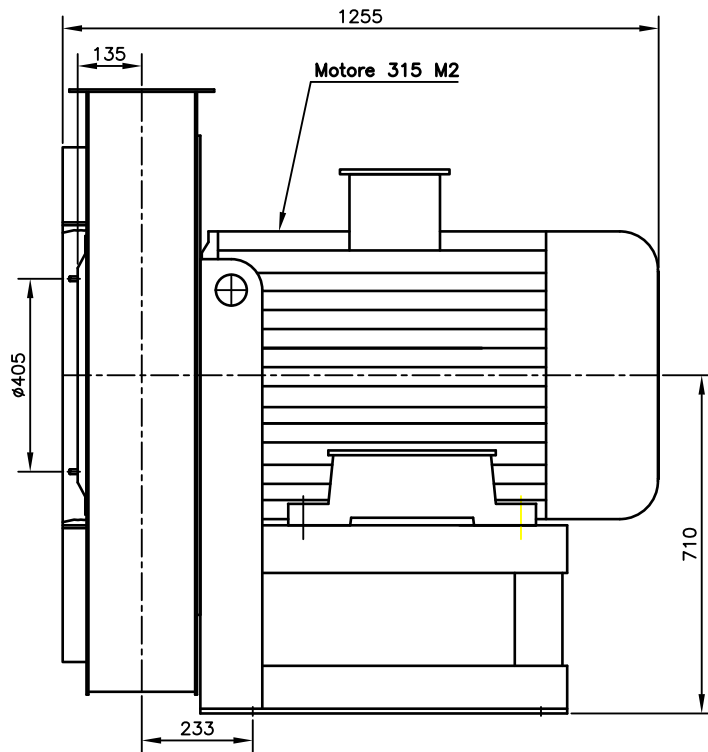


* (Pos 180 and 225 extra price)

Possible accessories

Mounting profiles for load distribution	--
Counterflange inlet/outlet	
Flexible connection inlet/outlet max. 80°C	zzØ 400 / pz Ø400
Anti-vibration mountings	4x 100x55/B/70° ShA
Inspectiondoor	
Drain connection	
Shaft seal without asbestos	
Coolingwheel (medium max. 150°C)	(incl. coating RAL9006)
Flexible connection inlet/outlet max. 150°C	zzØ 400 / pz Ø400
ATEX version	Zone 1 / 2 / 21 / 22
ATEX motor	Ex nA / Exe / Ex de
Coating suitable for outdoor application	RAL 5010 / RAL ...
Stainless steel version	304 / 316 / ...
Acoustic enclosure	

ES. 4



DESCRIZIONE		SCALA:	PESO:	FORMATO:
INGOMBRO APG 901-D RDO Es.4 Mot.315 M2		1:15	kg .	A4
		DATA:		
Copy 7-2-2020		DISEGNATO:		