



## Centrifugal fan model APG Es.4

Single inlet fan, direct driven with an IEC-standard motor in form B3 which is mounted on a motorbase. The overhang impeller is mounted on the motor shaft and has forward curved blades. The blades are welded between the back plate disc and the aerodynamically formed front plate. The fans of this series are particularly suitable for pneumatic transport, in cement factories, in the air supply of cupola furnaces, in foundries and oil burners, in mills, pasta factories, in chemical, steel and metallurgical industries where small flow rates with medium and high pressures are required.

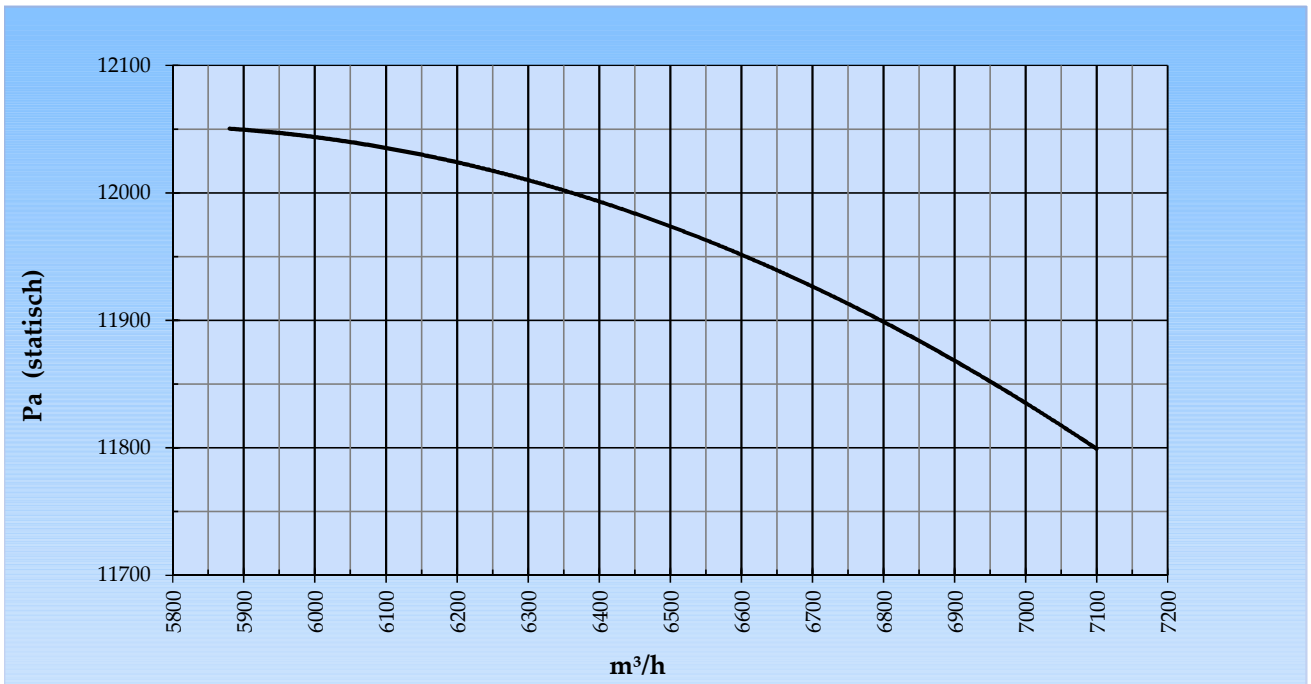
### General data:

Drive	direct	
Motor position	horizontal	
Material casing/base	Steel	
Material impeller/hub	Steel	
Coating/protection	RAL 7038	
Operating temperature (max.)	15 (80)	°C
Medium density (altitude 0 m)	1,226	kg/m <sup>3</sup>
Impeller speed	2.960	rpm
Weight	531	kg
Sound pressure level ±3 (at 1,5 m near the fan with inlet and outlet ducted, in free field)	90	dB(A)

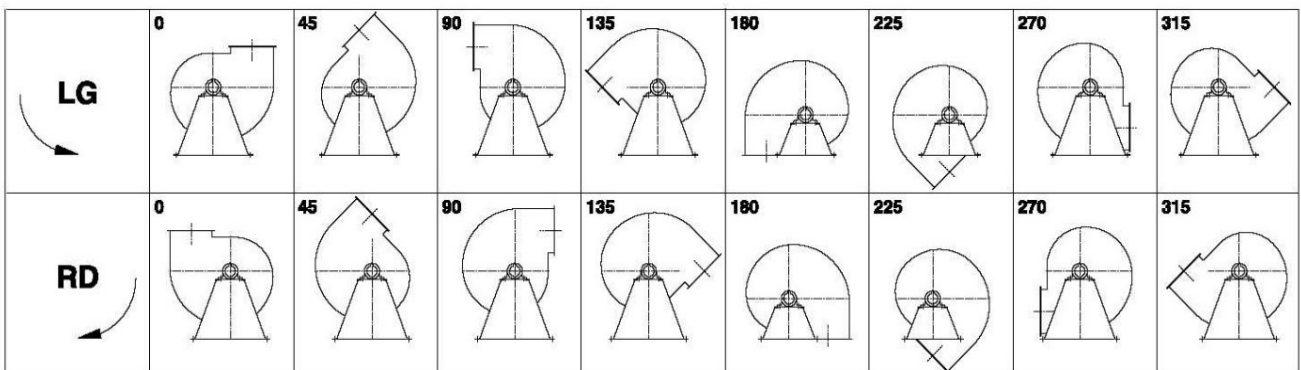
### Electric motor:

	200L	IEC
Power	37,0	kW
Motor speed	2.960	rpm
Electric supply	3x400V50Hz	V/Hz
Full load current	67,8	A
Enclosure	55	IP
Shape	B3T	
Efficiency class	IE3	

Curve APG 802B @ 2960rpm @ 15°C @ 0m



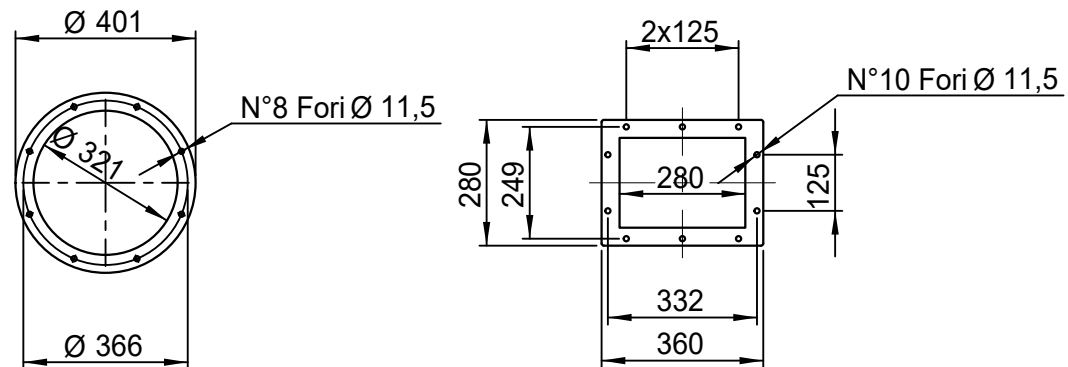
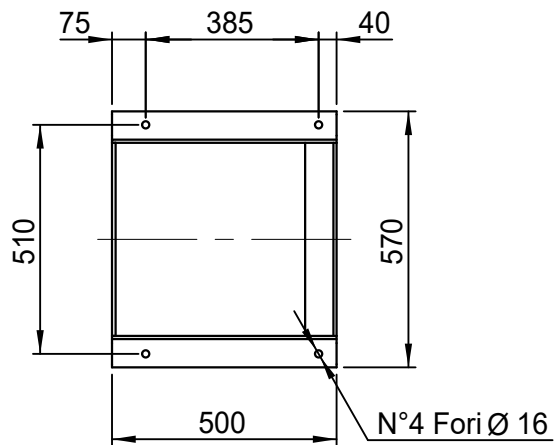
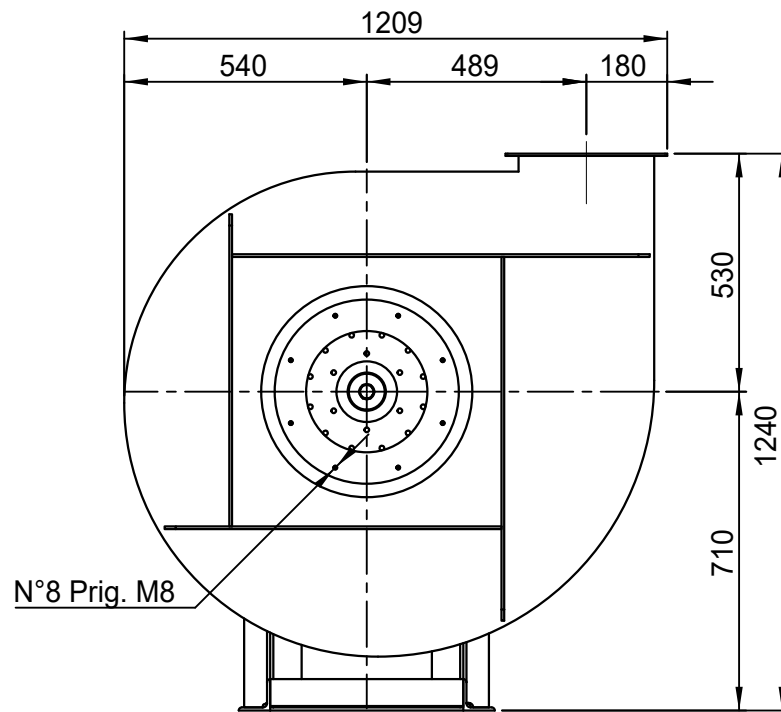
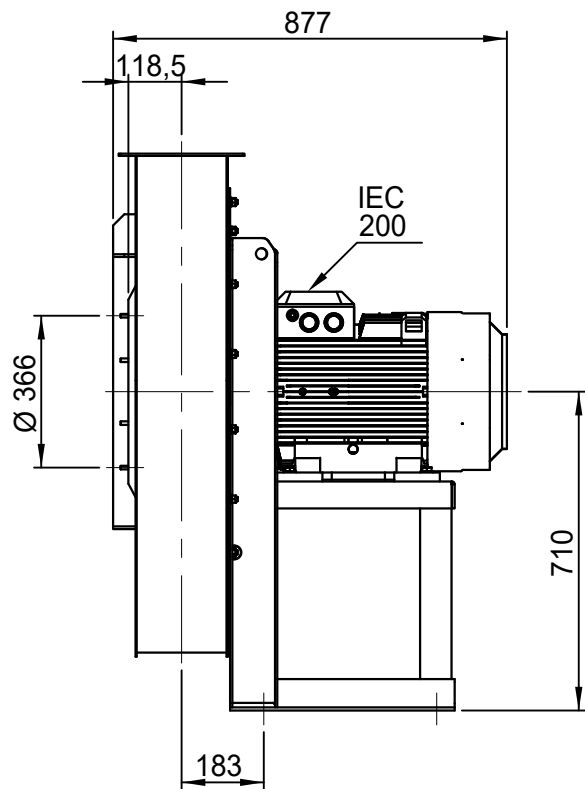
Possible discharge positions:



\* (Pos 180 and 225 extra price)

Possible accessories

Mounting profiles for load distribution	STF AP20001ST
Counterflange inlet/outlet	
Flexible connection inlet/outlet max. 80°C	zzØ 355 / pz Ø355
Anti-vibration mountings	4x 70x45/B/70° ShA
Inspectiondoor	
Drain connection	
Shaft seal without asbestos	
Coolingwheel (medium max. 150°C)	( incl. coating RAL9006 )
Flexible connection inlet/outlet max. 150°C	zzØ 355 / pz Ø355
ATEX version	Zone 1 / 2 / 21 / 22
ATEX motor	Ex nA / Exe / Ex de
Coating suitable for outdoor application	RAL 5010 / RAL ...
Stainless steel version	304 / 316 / ...
Acoustic enclosure	



APG 802/B - RD 0

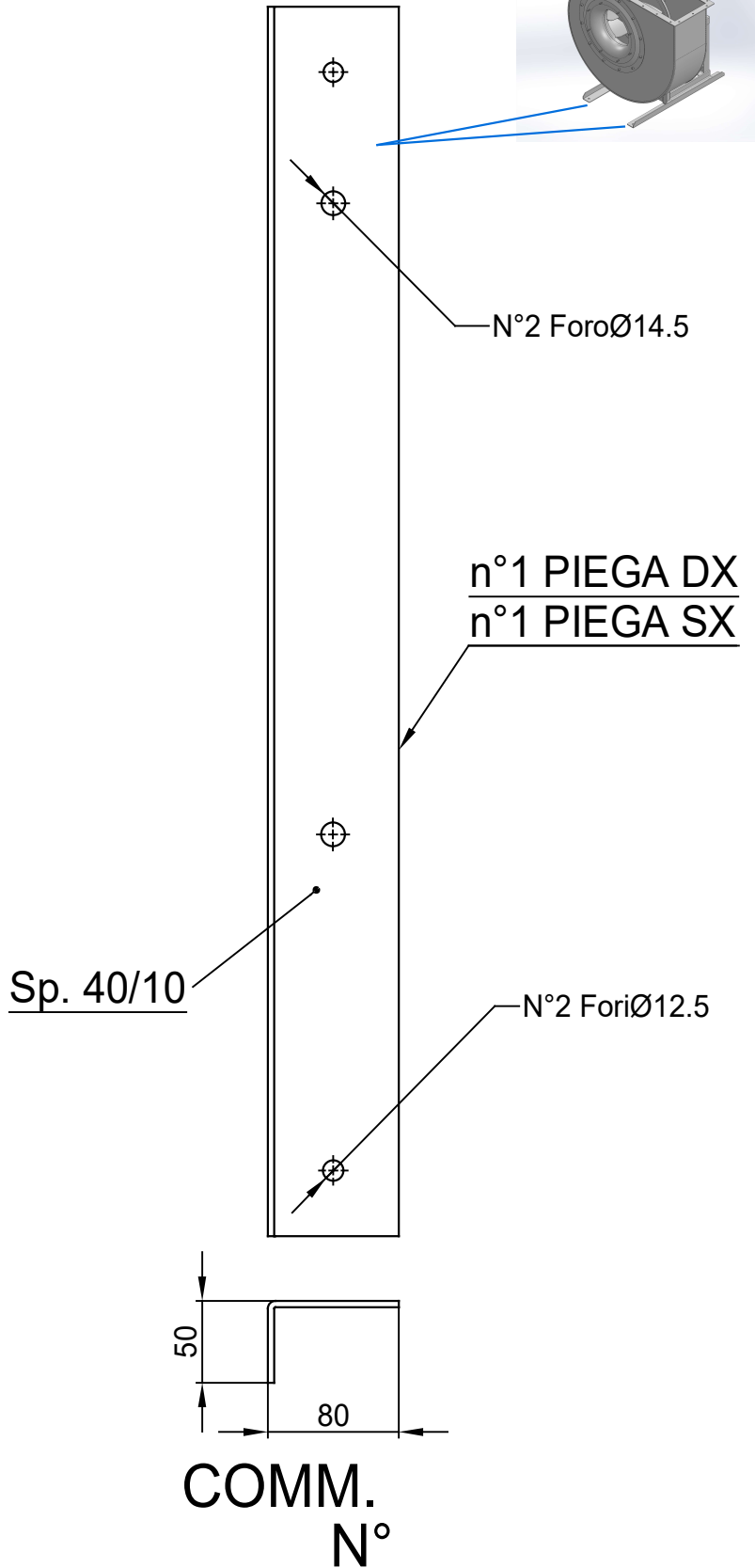
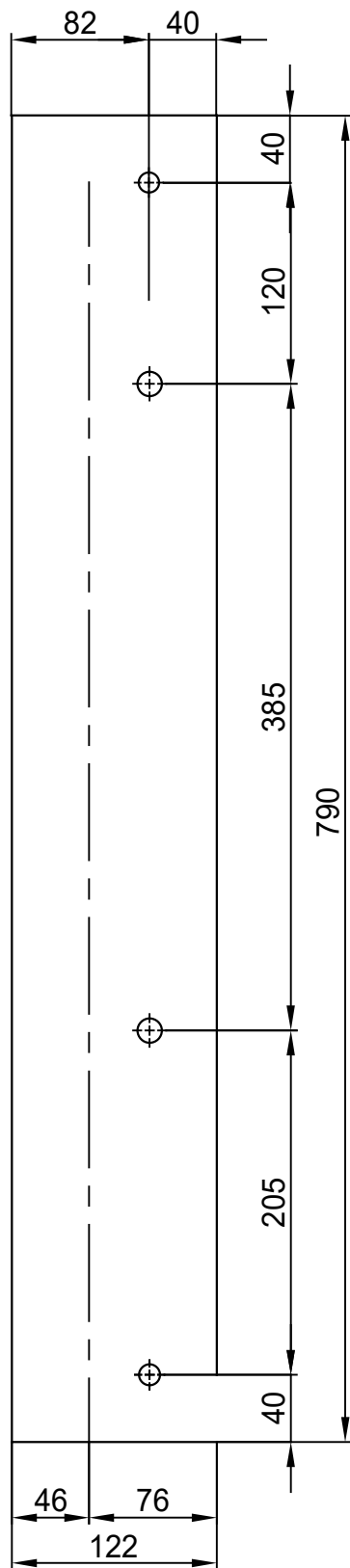
SCALA	1:16	FORMATO	A4
DATA	18/02/2015		
SOSTITUISCE IL - REPLACED THE N°		AAPG802A411B000	
SOSTITUITO DAL - REPLACES BY N°			

Copy 5-2-2020



REV.

00



**COMM.**  
**N°**

00	04/02/2016	PRIMA EMISSIONE		RK	RK
REV	DATA - DATE	DESCRIZIONE - DESCRIPTION		DISEGNATO PREPARED	APPROVATO APPROVED
DESCRIZIONE - DESCRIPTION		MATERIALE - MATERIAL	NR.FILE	PESO - WEIGHT	
		Fe 360		Kg	
DESCRIZIONE - DESCRIPTION			SCALA	DISEGNATO - PREPARED	FORMATO
Staffe per Puffer L=750			1:4.5		
IEC 200 / AP series			DATA	RK	A4
			SOSTITUISCE IL - REPLACES THE N°		
			SOSTITUITO DAL - REPLACES BY N°		
N.DISEGNO - N.DRAWING				REV.	
STF-AP20001ST				01	