



Centrifugal fan model APG Es.4

Single inlet fan, direct driven with an IEC-standard motor in form B3 which is mounted on a motorbase. The overhang impeller is mounted on the motor shaft and has forward curved blades. The blades are welded between the back plate disc and the aerodynamically formed front plate. The fans of this series are particularly suitable for pneumatic transport, in cement factories, in the air supply of cupola furnaces, in foundries and oil burners, in mills, pasta factories, in chemical, steel and metallurgical industries where small flow rates with medium and high pressures are required.

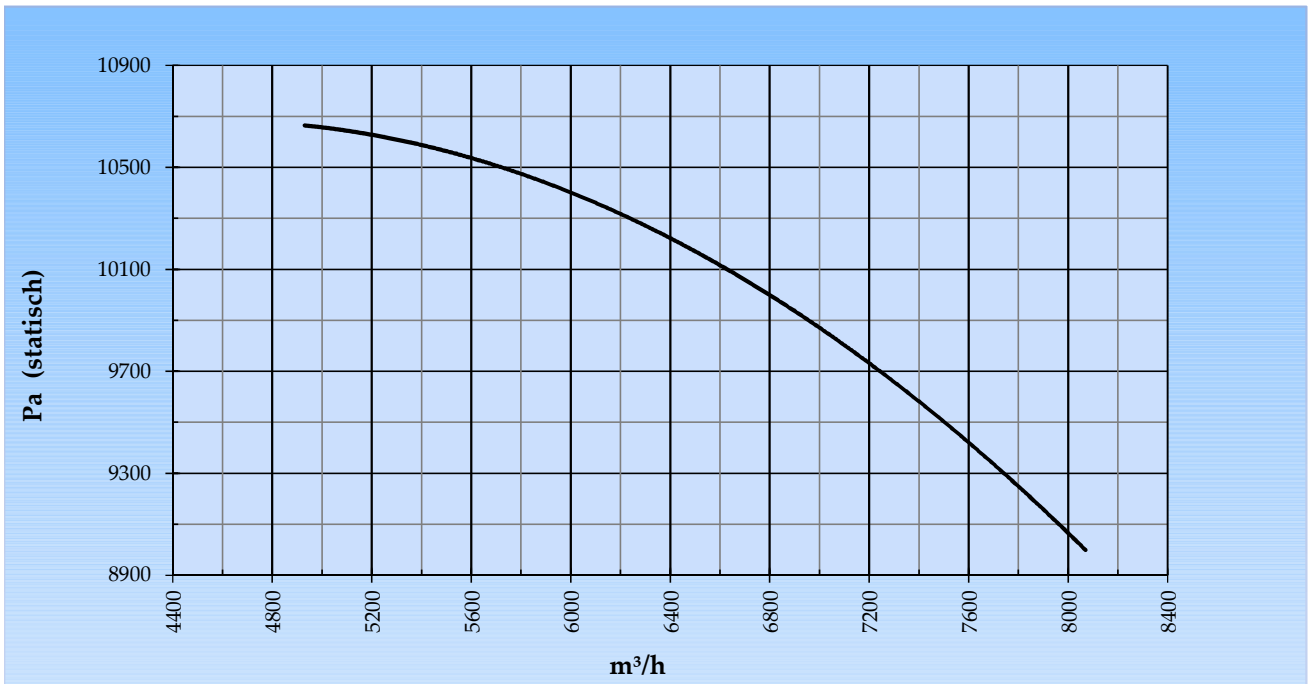
**General data:**

Drive	direct	
Motor position	horizontal	
Material casing/base	Steel	
Material impeller/hub	Steel	
Coating/protection	RAL 7038	
Operating temperature (max.)	15 (80)	°C
Medium density (altitude 0 m)	1,226	kg/m <sup>3</sup>
Impeller speed	2.960	rpm
Weight	504	kg
Sound pressure level ±3 (at 1,5 m near the fan with inlet and outlet ducted, in free field)	89	dB(A)

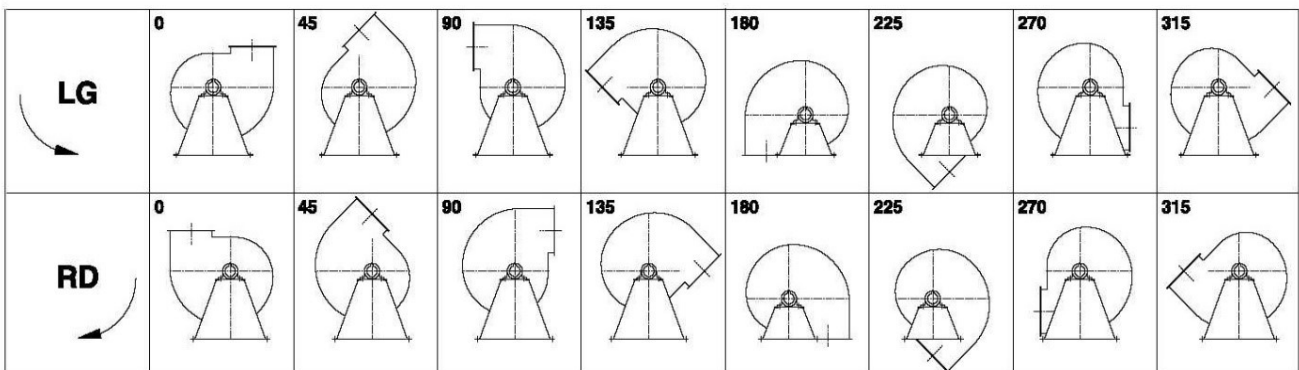
**Electric motor:**

	200L	IEC
Power	37,0	kW
Motor speed	2.960	rpm
Electric supply	3x400V50Hz	V/Hz
Full load current	67,8	A
Enclosure	55	IP
Shape	B3T	
Efficiency class	IE3	

Curve APG 711C @ 2960rpm @ 15°C @ 0m



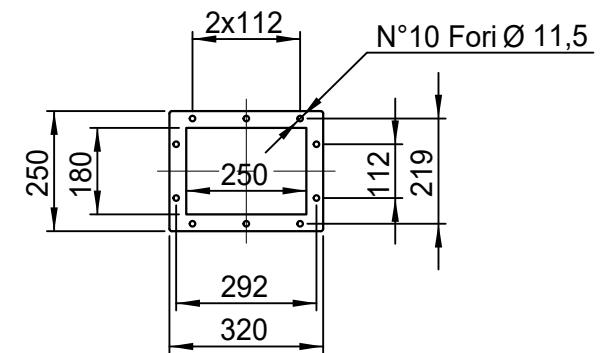
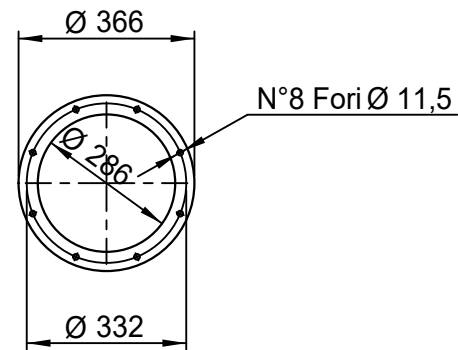
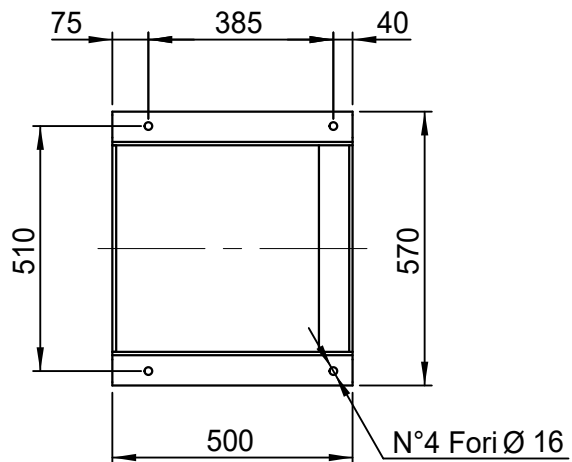
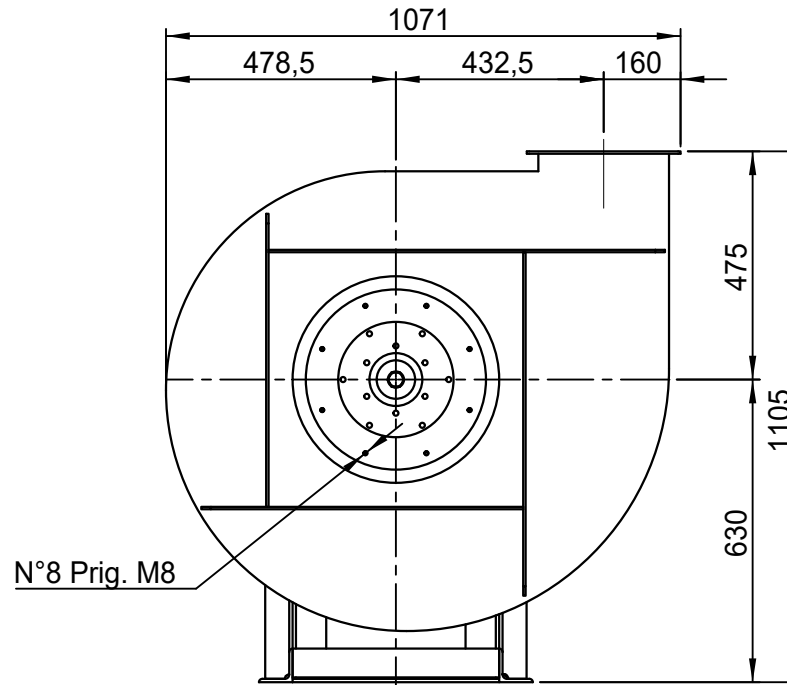
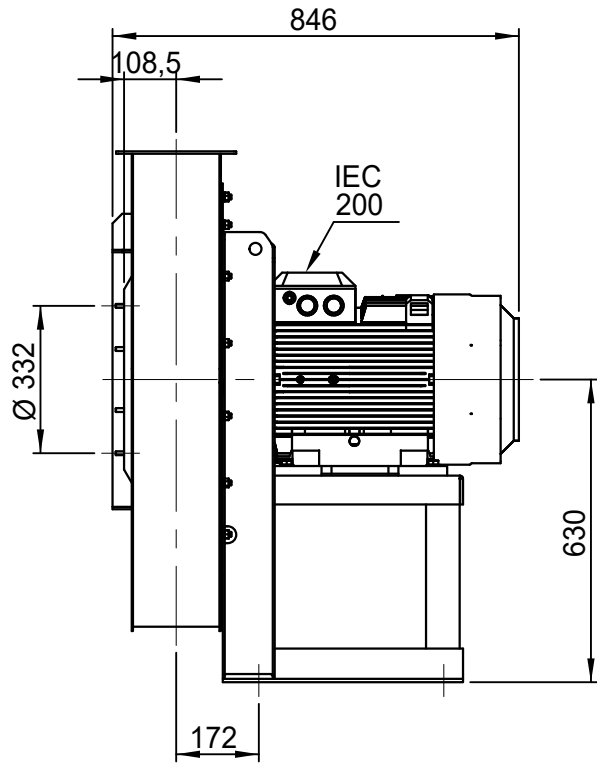
Possible discharge positions:



\* (Pos 180 and 225 extra price)

Possible accessories

Mounting profiles for load distribution	STF AP20001ST
Counterflange inlet/outlet	
Flexible connection inlet/outlet max. 80°C	zzØ 315 / pz Ø315
Anti-vibration mountings	4x 70x45/B/70° ShA
Inspectiondoor	
Drain connection	
Shaft seal without asbestos	
Coolingwheel (medium max. 150°C)	( incl. coating RAL9006 )
Flexible connection inlet/outlet max. 150°C	zzØ 315 / pz Ø315
ATEX version	Zone 1 / 2 / 21 / 22
ATEX motor	Ex nA / Exe / Ex de
Coating suitable for outdoor application	RAL 5010 / RAL ...
Stainless steel version	304 / 316 / ...
Acoustic enclosure	



APG 711/C - RD 0

SCALA	1:15	FORMATO
DATA	09/02/2016	A4
SOSTITUISCE IL - REPLACES THE N°		AAPG711A411C000
SOSTITUITO DAL - REPLACES BY N°		

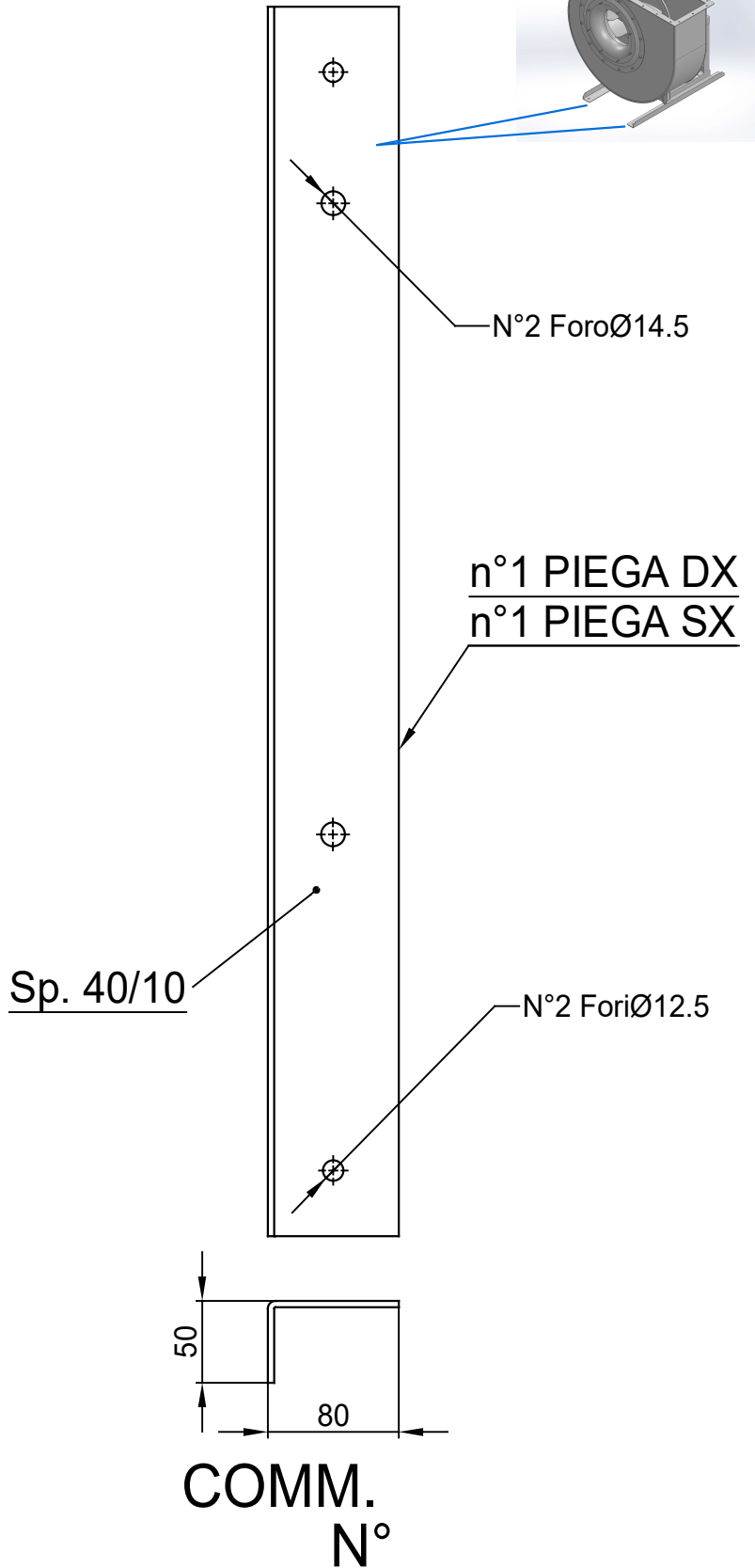
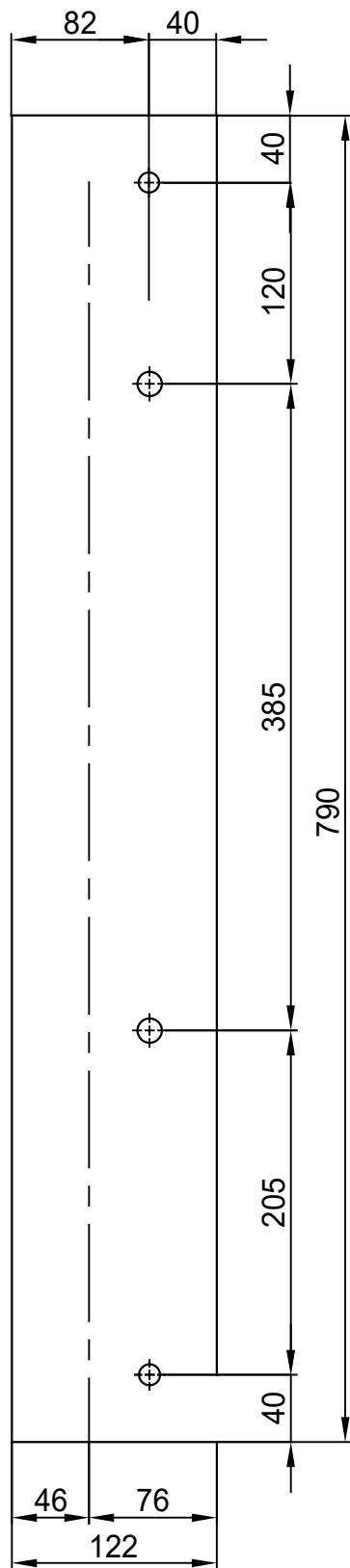
Copy 5-2-2020

**Slingerland**  
ventilatoren



REV.

00



**COMM.**  
**N°**

00	04/02/2016	PRIMA EMISSIONE	RK	RK
REV	DATA - DATE	DESCRIZIONE - DESCRIPTION	DISEGNATO PREPARED	APPROVATO APPROVED
DESCRIZIONE - DESCRIPTION		MATERIALE - MATERIAL	NR.FILE	PESO - WEIGHT
		Fe 360		Kg
DESCRIZIONE - DESCRIPTION			SCALA 1:4.5	DISEGNATO - PREPARED
Staffe per Puffer L=750			DATA 04/02/2016	RK
IEC 200 / AP series			SOSTITUISCE IL - REPLACES THE N°	FORMATO A4
			SOSTITUITO DAL - REPLACES BY N°	REV.
N.DISEGNO - N.DRAWING			REV.	
STF-AP20001ST			01	