

Centrifugal fan model APF Es.4

Single inlet fan, direct driven with an IEC-standard motor in form B3 which is mounted on a motorbase. The overhang impeller is mounted on the motor shaft and has forward curved blades. The blades are welded between the back plate disc and the aerodynamically formed front plate. The fans of this series are particularly suitable for pneumatic conveyances, in cement factories, in the air feeding of the cupolas, in foundries and in oil burners, in mills, in "pasta" factories, in chemical, metallurgical and iron industries where small capacities with medium and high pressures are required.

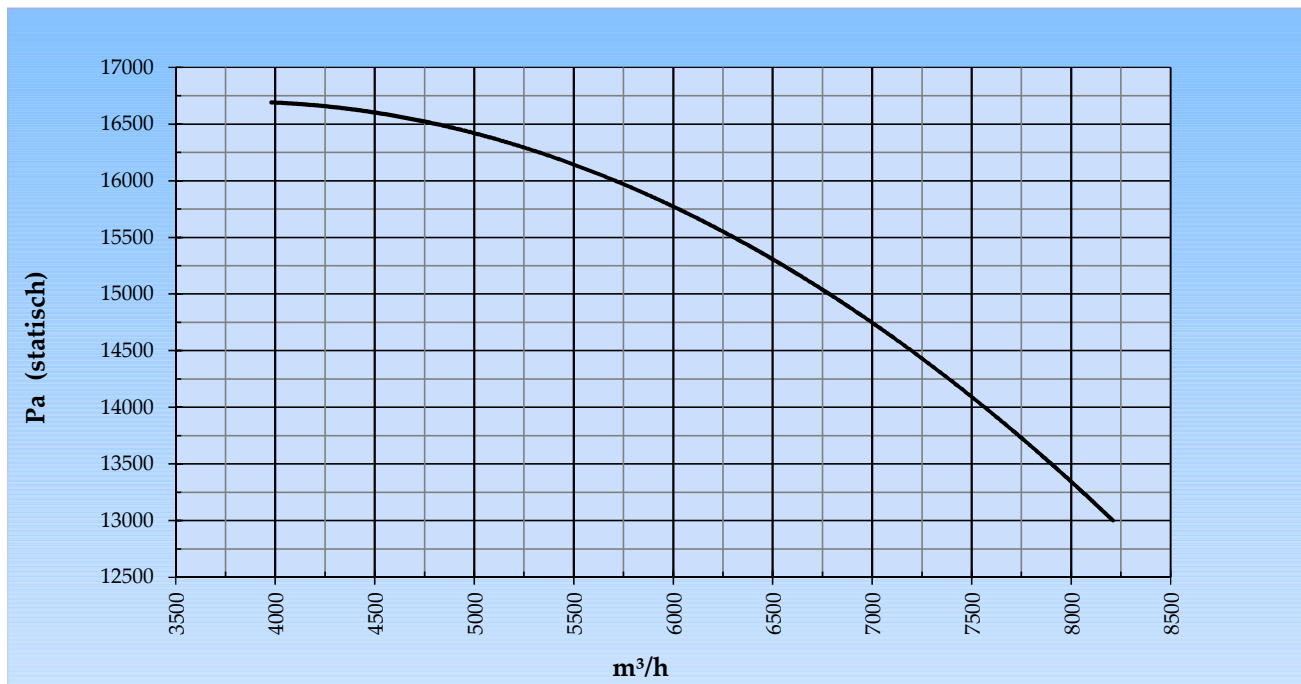
General data:

Drive	direct	
Motor position	horizontal	
Material casing/base	Steel	
Material impeller/hub	Steel	
Coating/protection	RAL 7038	
Operating temperature (max.)	15 (80)	°C
Medium density (altitude 0 m)	1,226	kg/m ³
Impeller speed	2.960	rpm
Weight	872	kg
Sound pressure level ±3 (at 1,5 m near the fan with inlet and outlet ducted, in free field)	92	dB(A)

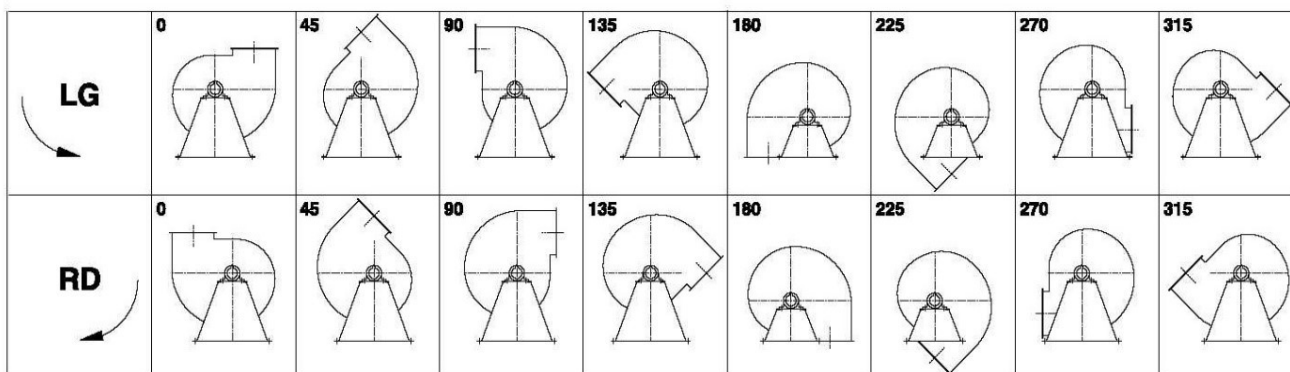
Electric motor:

	250M	IEC
Power	55,0	kW
Motor speed	2.960	rpm
Electric supply	3x400V50Hz	V/Hz
Full load current	95,6	A
Enclosure	55	IP
Shape	B3T	
Efficiency class	IE3	

Curve APF 901D @ 2960rpm @ 15°C @ 0m



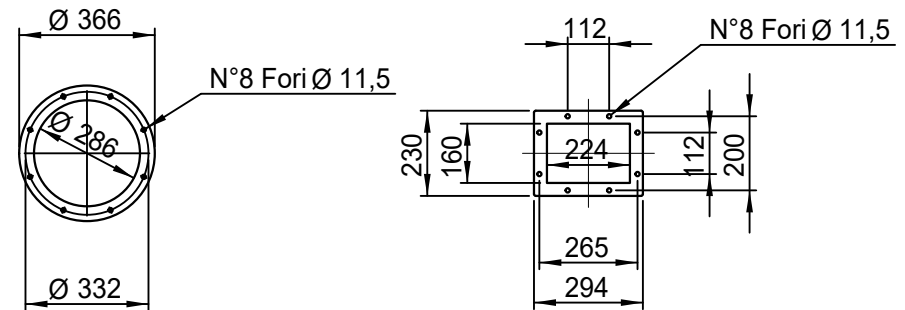
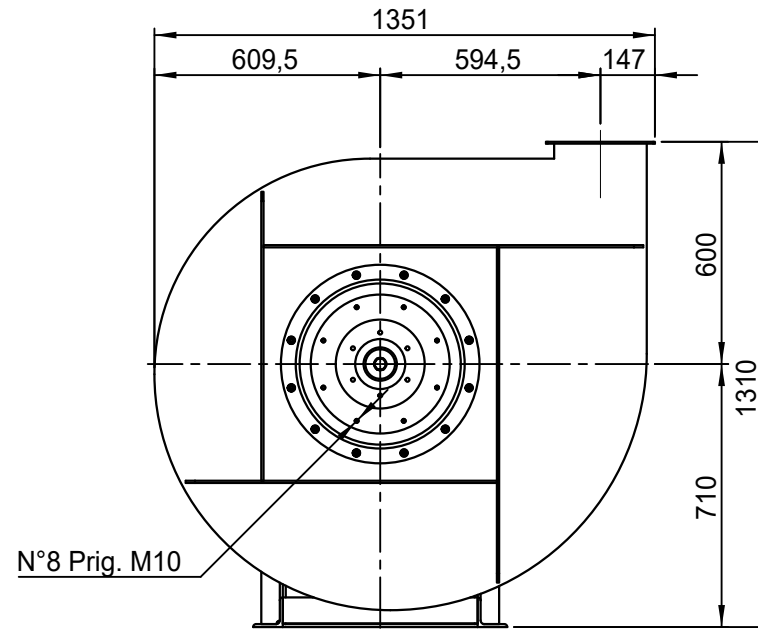
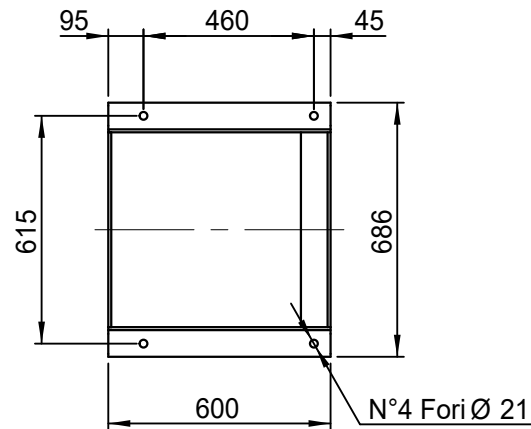
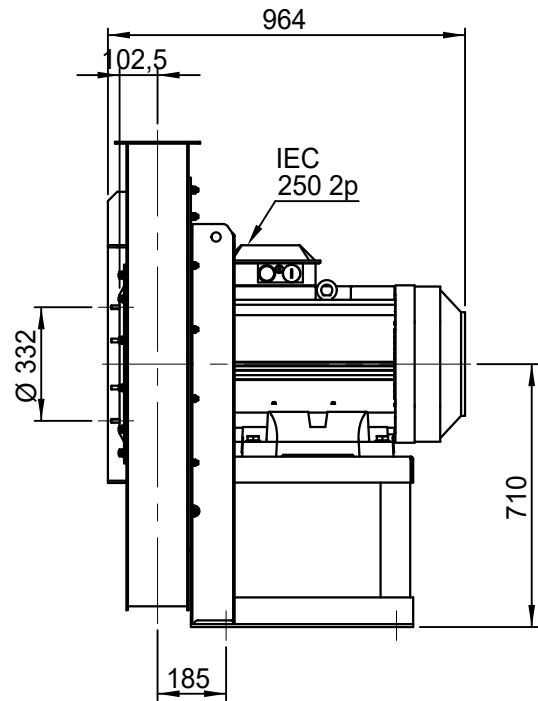
Possible discharge positions:



* (Pos 180 en 225 tegen meerprijs)

Mogelijke toebehoren:

Montage profielen tbv gewichtsverdeling	--
Tegen flens zuig-/perszijde	
Flexibel zuig-/perszijde max. 80°C	zzØ 315 / pz Ø315
Set trillingdempers	4x 100x55/B/70° ShA
Inspectieopening	
Condenswater afvoer	
Asafdichting (asbest vrij)	
Koelwaaier (medium max. 150°C)	(incl. coating RAL9006)
Flexibel zuig-/perszijde max. 150°C	zzØ 315 / pz Ø315
ATEX uitvoering	Zone 1 / 2 / 21 / 22
ATEX motor	Ex nA / Exe / Ex de
Buitencoating ventilator	RAL 5010 / RAL ...
RVS uitvoering	304 / 316 / ...
Geluidempende omkasting	



APF 901/D - RD 0

SCALA	1:18	FORMATO
DATA	29/01/2015	A4
SOSTITUISCE IL - REPLACED THE N°		AAPF901A411D000
SOSTITUITO DAL - REPLACES BY N°		

Copy 5-2-2020



REV.

00