

Centrifugal fan model APF Es.4

Single inlet fan, direct driven with an IEC-standard motor in form B3 which is mounted on a motorbase. The overhang impeller is mounted on the motor shaft and has forward curved blades. The blades are welded between the back plate disc and the aerodynamically formed front plate. The fans of this series are particularly suitable for pneumatic conveyances, in cement factories, in the air feeding of the cupolas, in foundries and in oil burners, in mills, in "pasta" factories, in chemical, metallurgical and iron industries where small capacities with medium and high pressures are required.

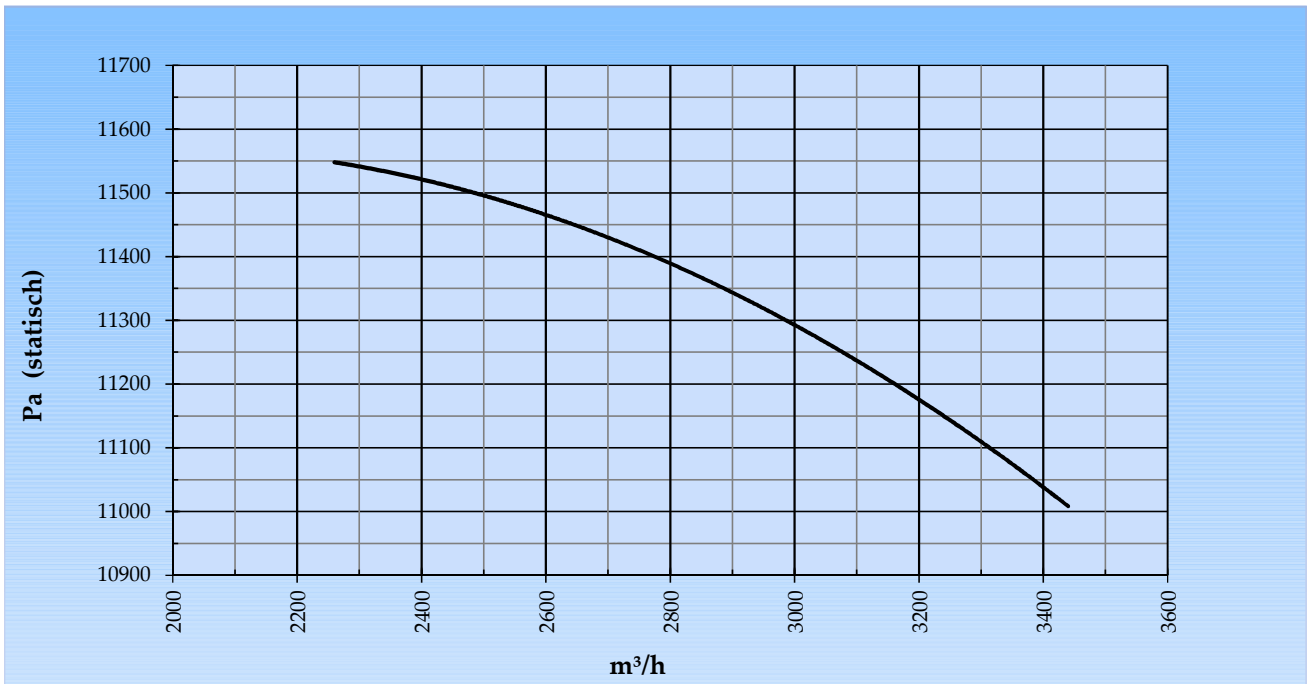
General data:

| | | |
|---|------------|-------------------|
| Drive | direct | |
| Motor position | horizontal | |
| Material casing/base | Steel | |
| Material impeller/hub | Steel | |
| Coating/protection | RAL 7038 | |
| Operating temperature (max.) | 15 (80) | °C |
| Medium density (altitude 0 m) | 1,226 | kg/m ³ |
| Impeller speed | 2.945 | rpm |
| Weight | 363 | kg |
| Sound pressure level ±3 (at 1,5 m near the fan with inlet and outlet ducted, in free field) | 86 | dB(A) |

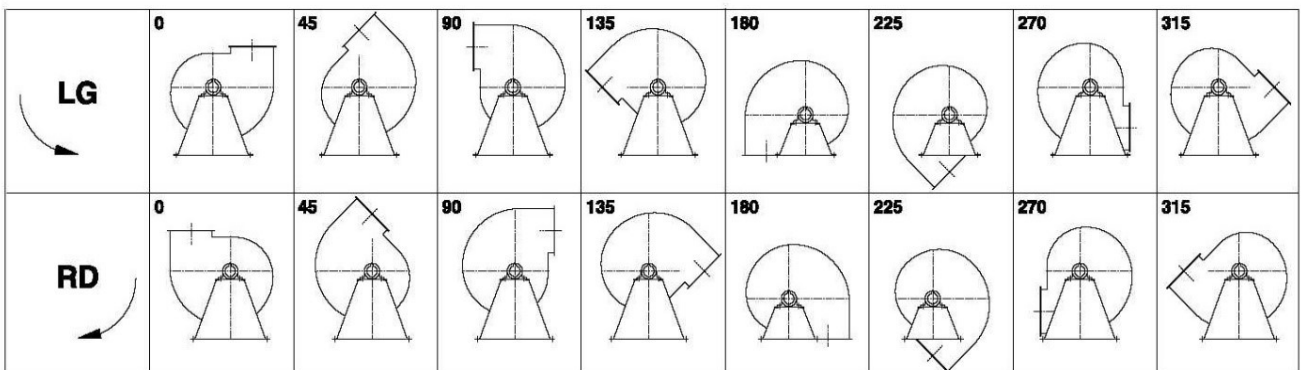
Electric motor:

| | | |
|-------------------|------------|------|
| | 160L | IEC |
| Power | 18,5 | kW |
| Motor speed | 2.945 | rpm |
| Electric supply | 3x400V50Hz | V/Hz |
| Full load current | 33,9 | A |
| Enclosure | 55 | IP |
| Shape | B3T | |
| Efficiency class | IE3 | |

Curve APF 802B @ 2945rpm @ 15°C @ 0m



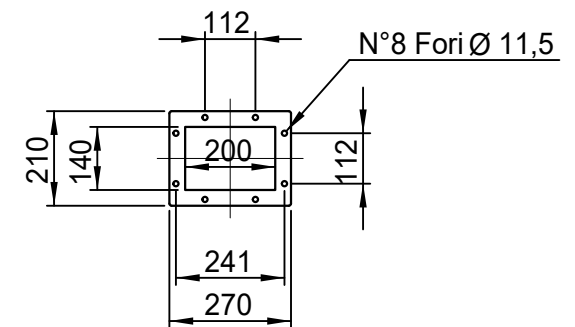
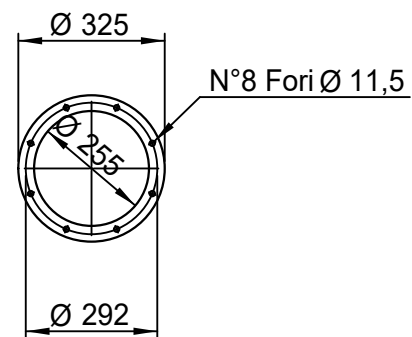
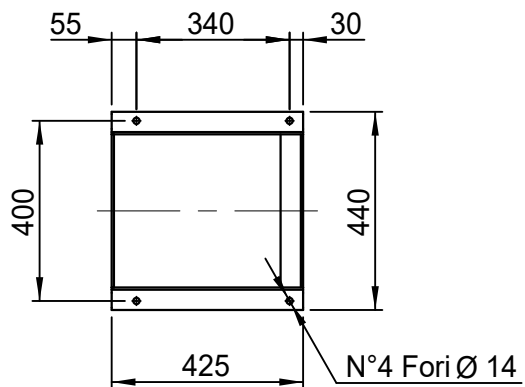
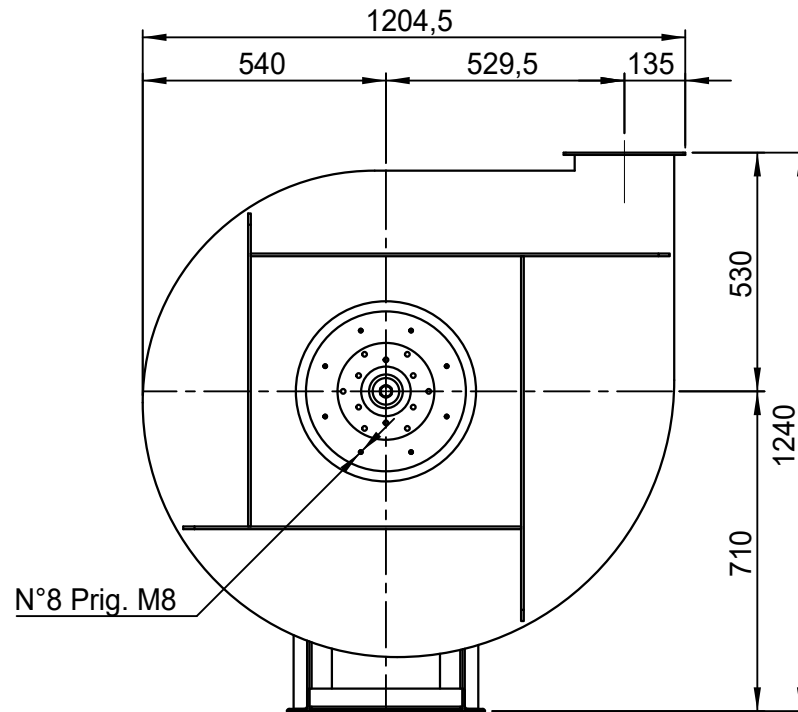
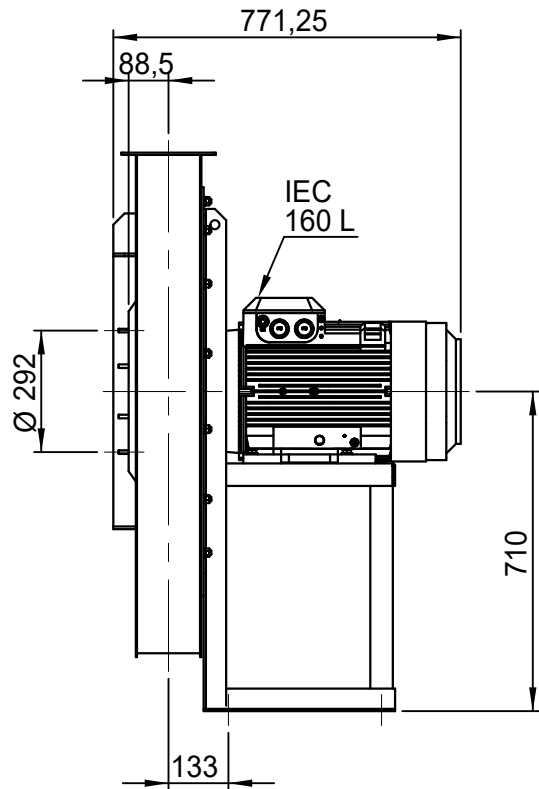
Possible discharge positions:



* (Pos 180 and 225 extra price)

Possible accessories

| | |
|---|---------------------------|
| Mounting profiles for load distribution | STF AP16001ST |
| Counterflange inlet/outlet | |
| Flexible connection inlet/outlet max. 80°C | zzØ 315 / pz Ø250 |
| Anti-vibration mountings | 4x 70x45/B/70° ShA |
| Inspectiondoor | |
| Drain connection | |
| Shaft seal without asbestos | |
| Coolingwheel (medium max. 150°C) | (incl. coating RAL9006) |
| Flexible connection inlet/outlet max. 150°C | zzØ 315 / pz Ø250 |
| ATEX version | Zone 1 / 2 / 21 / 22 |
| ATEX motor | Ex nA / Exe / Ex de |
| Coating suitable for outdoor application | RAL 5010 / RAL ... |
| Stainless steel version | 304 / 316 / ... |
| Acoustic enclosure | |



APF 802/B - RD 0

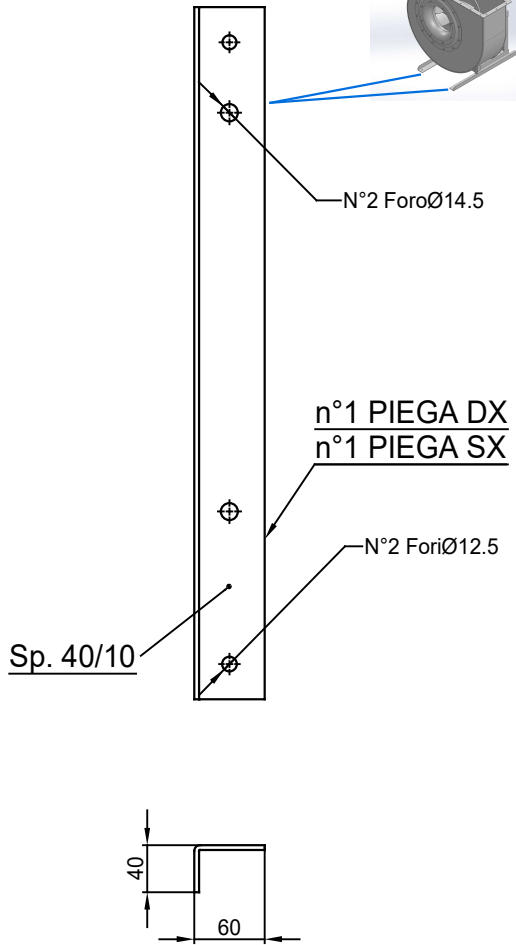
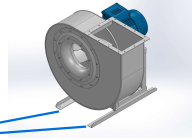
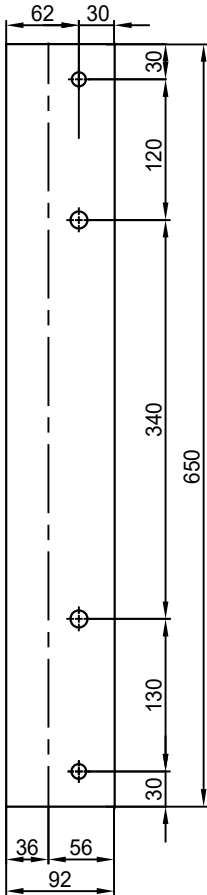
| | | |
|----------------------------------|------------|-----------------|
| SCALA | 1:16 | FORMATO |
| DATA | 06/02/2015 | A4 |
| SOSTITUISCE IL - REPLACES THE N° | | AAPF802A411B000 |
| SOSTITUITO DAL - REPLACES BY N° | | |

Copy 5-2-2020

Slingerland
ventilatoren

REV.

00



COMM.
N°

| | | | | | | |
|--|-------------|---------------------------|----------------------------------|---------------|----------------------|---------|
| 00 | 04/02/2016 | PRIMA EMISSIONE | | RK | RK | |
| 01 | 16/09/2020 | Extension pedestal | | MvS | MvS | |
| REV | DATA - DATE | DESCRIZIONE - DESCRIPTION | | | APPROVATO APPROVED | |
| DESCRIZIONE - DESCRIPTION | | MATERIALE - MATERIAL | NR.FILE | PESO - WEIGHT | | |
| DESCRIZIONE - DESCRIPTION | | Fe 360 | | Kg | | |
| Staffe per Puffer L=650 IEC 160 / AP series | | | SCALA | 1:4.5 | DISEGNATO - PREPARED | FORMATO |
| | | | DATA | 04/02/2016 | RK | A4 |
| | | | SOSTITUISCE IL - REPLACED THE N° | | | |
| | | | SOSTITUITO DAL - REPLACES BY N° | | | |
| N.DISEGNO - N.DRAWING | | | | REV. | | |
| STF-AP16001ST | | | | | | |
| | | | | 01 | | |