

Centrifugal fan model APF Es.4

Single inlet fan, direct driven with an IEC-standard motor in form B3 which is mounted on a motorbase. The overhang impeller is mounted on the motor shaft and has forward curved blades. The blades are welded between the back plate disc and the aerodynamically formed front plate. The fans of this series are particularly suitable for pneumatic conveyances, in cement factories, in the air feeding of the cupolas, in foundries and in oil burners, in mills, in "pasta" factories, in chemical, metallurgical and iron industries where small capacities with medium and high pressures are required.

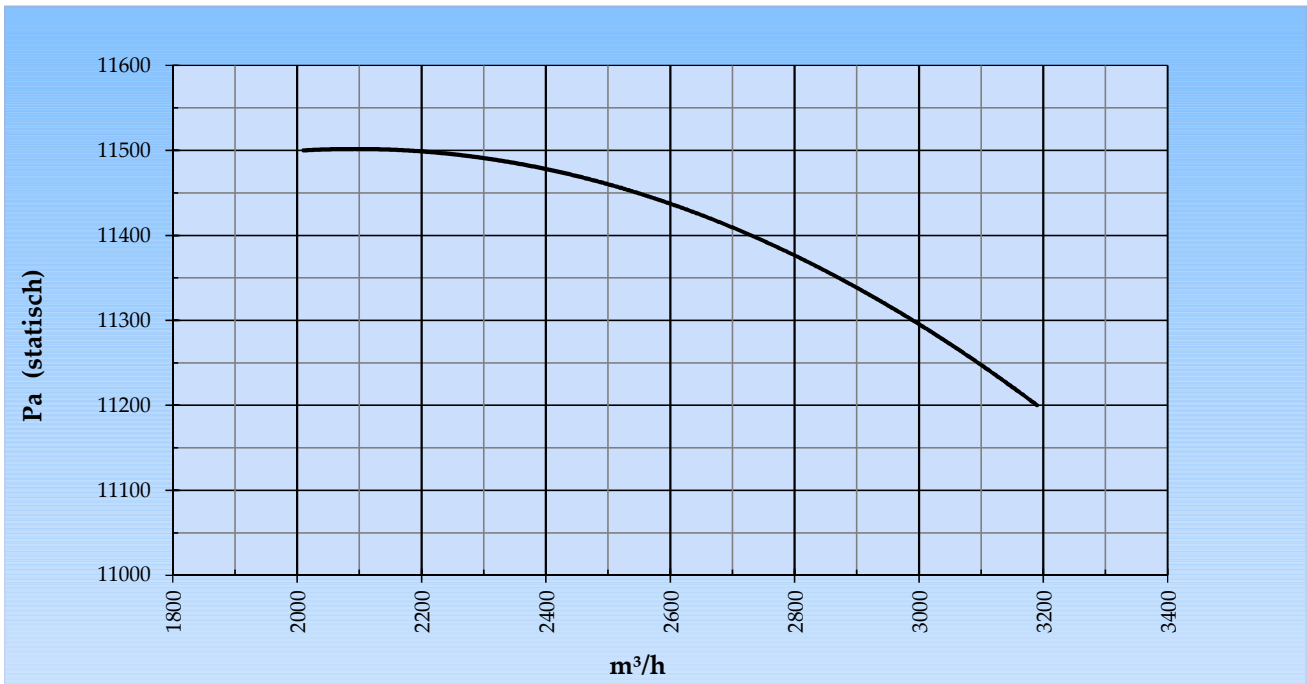
**General data:**

Drive	direct	
Motor position	horizontal	
Material casing/base	Steel	
Material impeller/hub	Steel	
Coating/protection	RAL 7038	
Operating temperature (max.)	15 (80)	°C
Medium density (altitude 0 m)	1,226	kg/m <sup>3</sup>
Impeller speed	2.945	rpm
Weight	349	kg
Sound pressure level ±3 (at 1,5 m near the fan with inlet and outlet ducted, in free field)	86	dB(A)

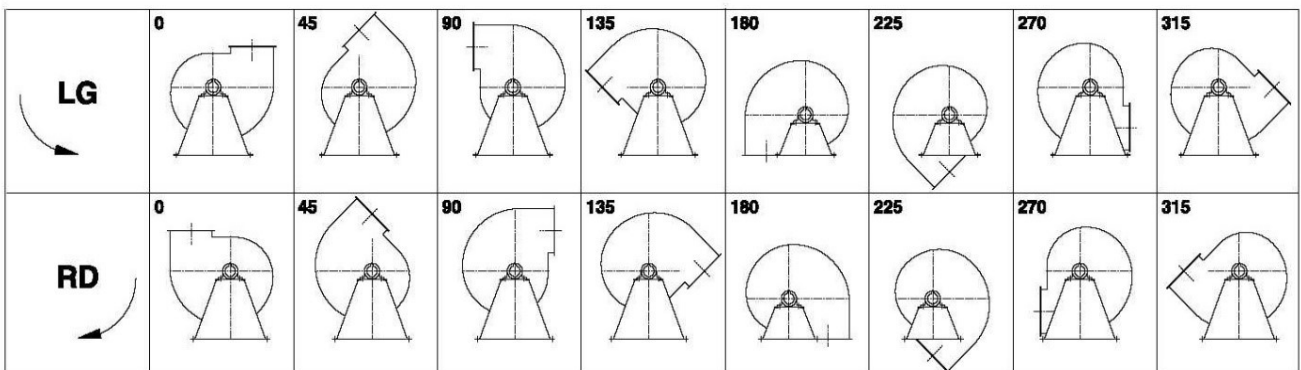
**Electric motor:**

	160M	IEC
Power	15,0	kW
Motor speed	2.945	rpm
Electric supply	3x400V50Hz	V/Hz
Full load current	27,7	A
Enclosure	55	IP
Shape	B3T	
Efficiency class	IE3	

Curve APF 802A @ 2945rpm @ 15°C @ 0m



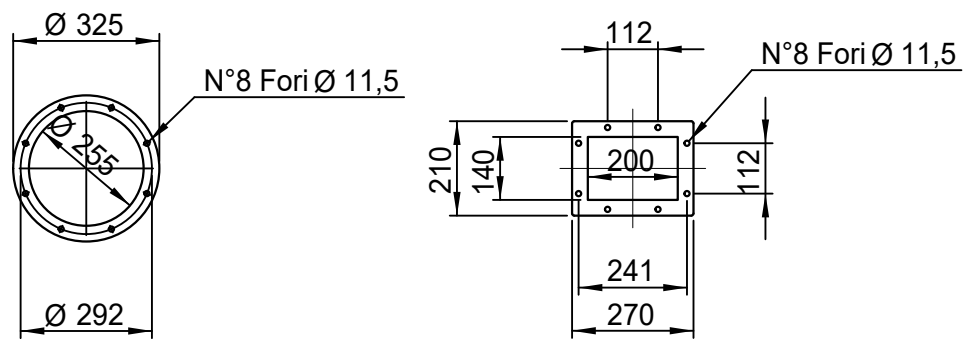
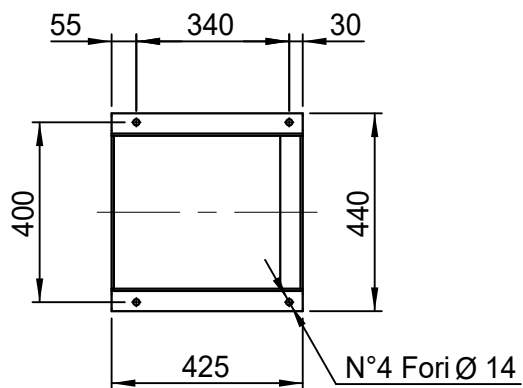
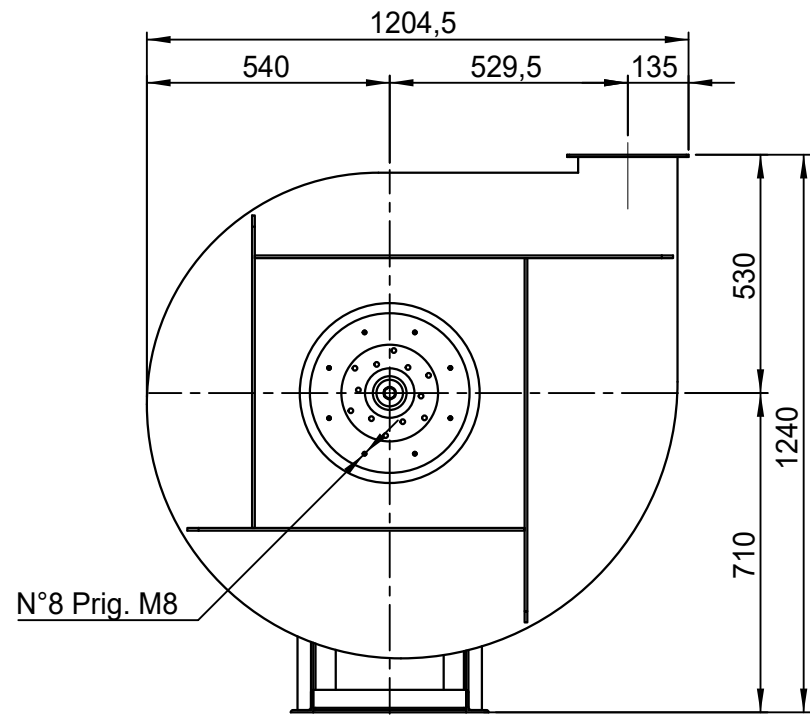
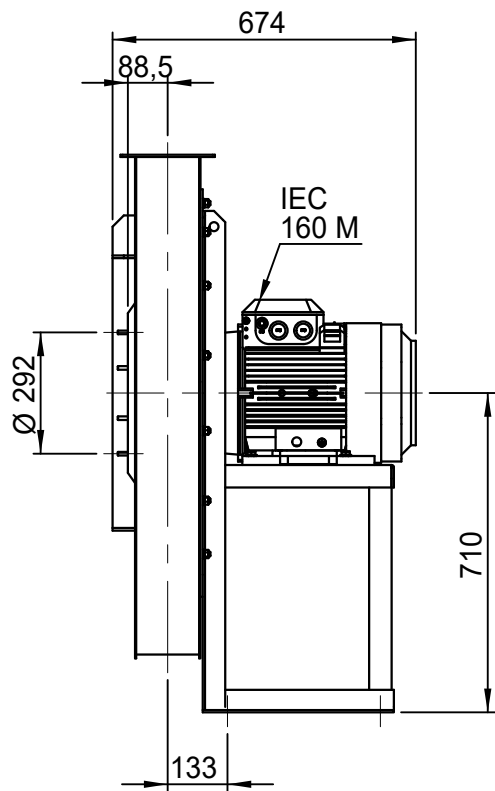
Possible discharge positions:



\* (Pos 180 and 225 extra price)

Possible accessories

Mounting profiles for load distribution	STF AP16001ST
Counterflange inlet/outlet	
Flexible connection inlet/outlet max. 80°C	zzØ 315 / pz Ø250
Anti-vibration mountings	4x 50x40/B/70° ShA
Inspectiondoor	
Drain connection	
Shaft seal without asbestos	
Coolingwheel (medium max. 150°C)	( incl. coating RAL9006 )
Flexible connection inlet/outlet max. 150°C	zzØ 315 / pz Ø250
ATEX version	Zone 1 / 2 / 21 / 22
ATEX motor	Ex nA / Exe / Ex de
Coating suitable for outdoor application	RAL 5010 / RAL ...
Stainless steel version	304 / 316 / ...
Acoustic enclosure	



APF 802/A - RD 0

SCALA 1:16

FORMATO

DATA 06/02/2015

A4

SOSTITUISCE IL - REPLACES THE N° AAPF802A411A000

SOSTITUITO DAL - REPLACES BY N°

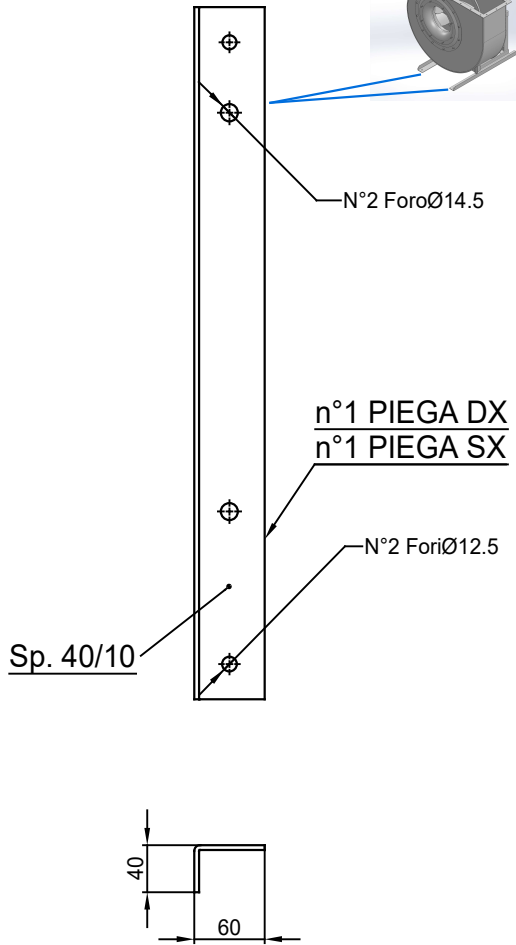
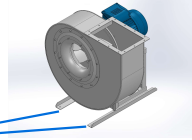
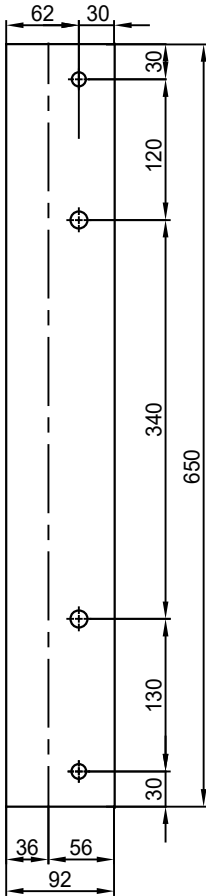
REV.

Copy 5-2-2020

**Slingerland**  
ventilatoren



00



COMM.  
N°

00	04/02/2016	PRIMA EMISSIONE		RK	RK
01	16/09/2020	Extension pedestal		MvS	MvS
REV	DATA - DATE	DESCRIZIONE - DESCRIPTION			APPROVATO APPROVED
DESCRIZIONE - DESCRIPTION		MATERIALE - MATERIAL	NR.FILE	PESO - WEIGHT	
		Fe 360		Kg	
DESCRIZIONE - DESCRIPTION			SCALA 1:4.5	DISEGNATO - PREPARED	FORMATO
Staffe per Puffer L=650			DATA 04/02/2016	RK	A4
IEC 160 / AP series			SOSTITUISCE IL - REPLACED THE N°		
			SOSTITUITO DAL - REPLACES BY N°		
N.DISEGNO - N.DRAWING				REV.	
STF-AP16001ST					
				01	