

**DVC 190-S 1x230V**



Vertical blow out roof fan model DVC, **manufactory ST-Fans.**

Backward curved blades made of polyamide PA 6 for type 190 to 225. From type 315 to 630, the impellers are made of Polypropylene PP and are driven by a high efficiency and energy-efficient EC motor.

These roof fans have an excellent noise level and are maintenance-free and reliable. The maximum temperature of the air to be moved is a maximum of 60 ° C. The base plate is made of galvanized sheet steel.

The rain cover is completely made of seawater resistant aluminum AlMg 3. Sealing tape and mounting material are supplied as standard.

**General data:**

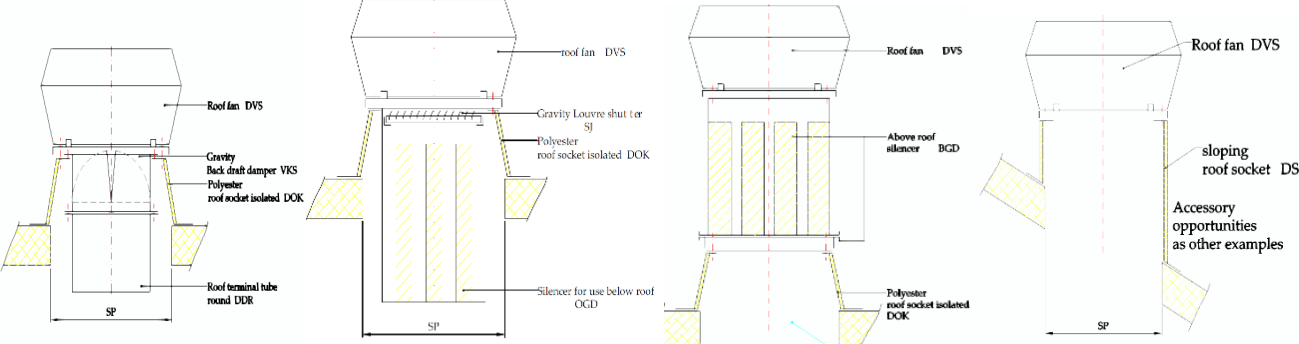
Max Air flow	835	m3/h
Impeller speed	3.661	rpm
Input power	0,123	kW
Voltage (nominal)	1x230/50/60	V/Hz
Input current	0,969	A
Enclosure class, motor	54	IP
Weight	5,2	kg
Sound pressure level ±2*	56	dB(A)

\* (at 4 m near the fan with inlet and outlet ducted, in free field)

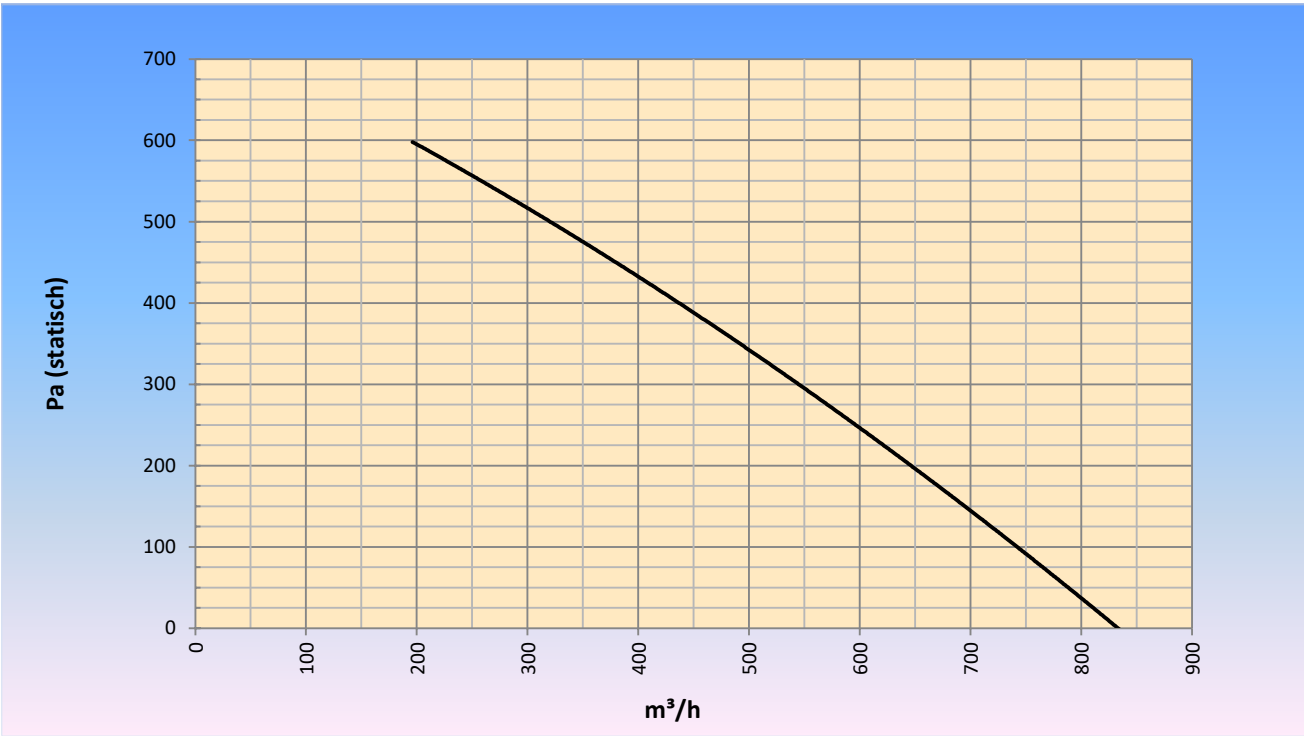
**Options:**

Flat roof socket	DOK 190/225
Silencer for use below roof	OGD 190/225
Silencer for use above roof	BGD 190/225
Gravity Louvre shutter	SJ 190/225
Roof duct	DDR 190/225
Gravity Back draft damper	VKS 190/225
Roof socket for inclined roof	DS 190/225
Roof socket for inclined roof / lead slab	DSL 190/225
Speed control	MTP 10

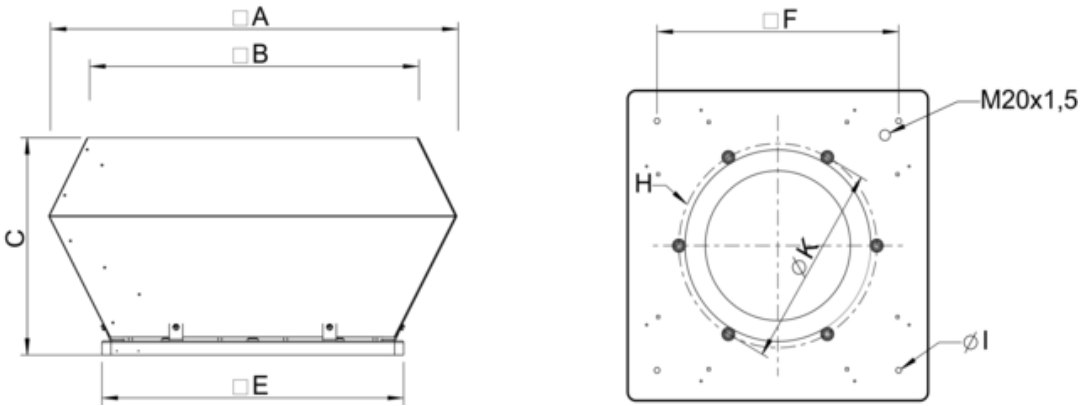
**Assembly examples**



Curve:



Dimensions:



□A	□B	C	□E	□F	H	øK	øI
370	320	175	335	245	6xM6	213	10(4x)

Subject to changes and typing errors.

**DVC 225-S 1x230V**



Vertical blow out roof fan model DVC, **manufactory ST-Fans.**

Backward curved blades made of polyamide PA 6 for type 190 to 225. From type 315 to 630, the impellers are made of Polypropylene PP and are driven by a high efficiency and energy-efficient EC motor.

These roof fans have an excellent noise level and are maintenance-free and reliable. The maximum temperature of the air to be moved is a maximum of 60 ° C. The base plate is made of galvanized sheet steel.

The rain cover is completely made of seawater resistant aluminum AlMg 3. Sealing tape and mounting material are supplied as standard.

**General data:**

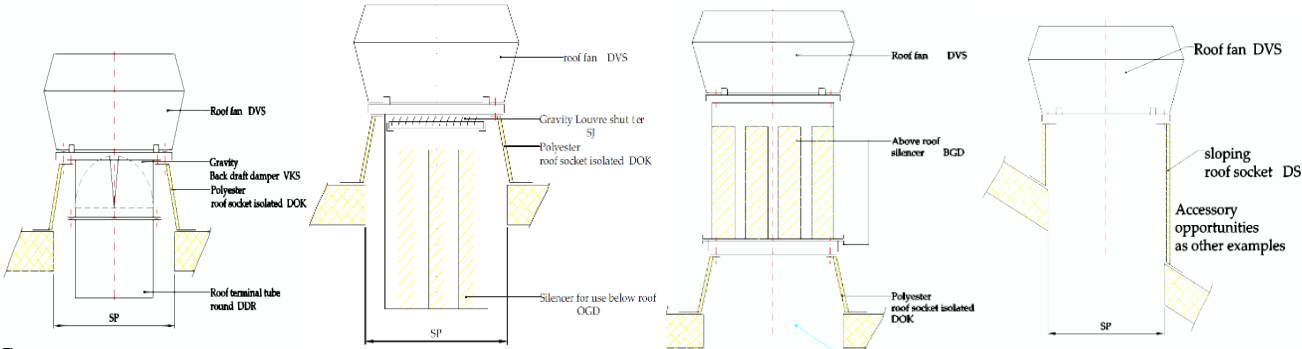
Max Air flow	1.044	m3/h
Impeller speed	3.120	rpm
Input power	0,159	kW
Voltage (nominal)	1x230/50/60	V/Hz
Input current	1,27	A
Enclosure class, motor	54	IP
Weight	5,0	kg
Sound pressure level ±2*	56	dB(A)

\* (at 4 m near the fan with inlet and outlet ducted, in free field)

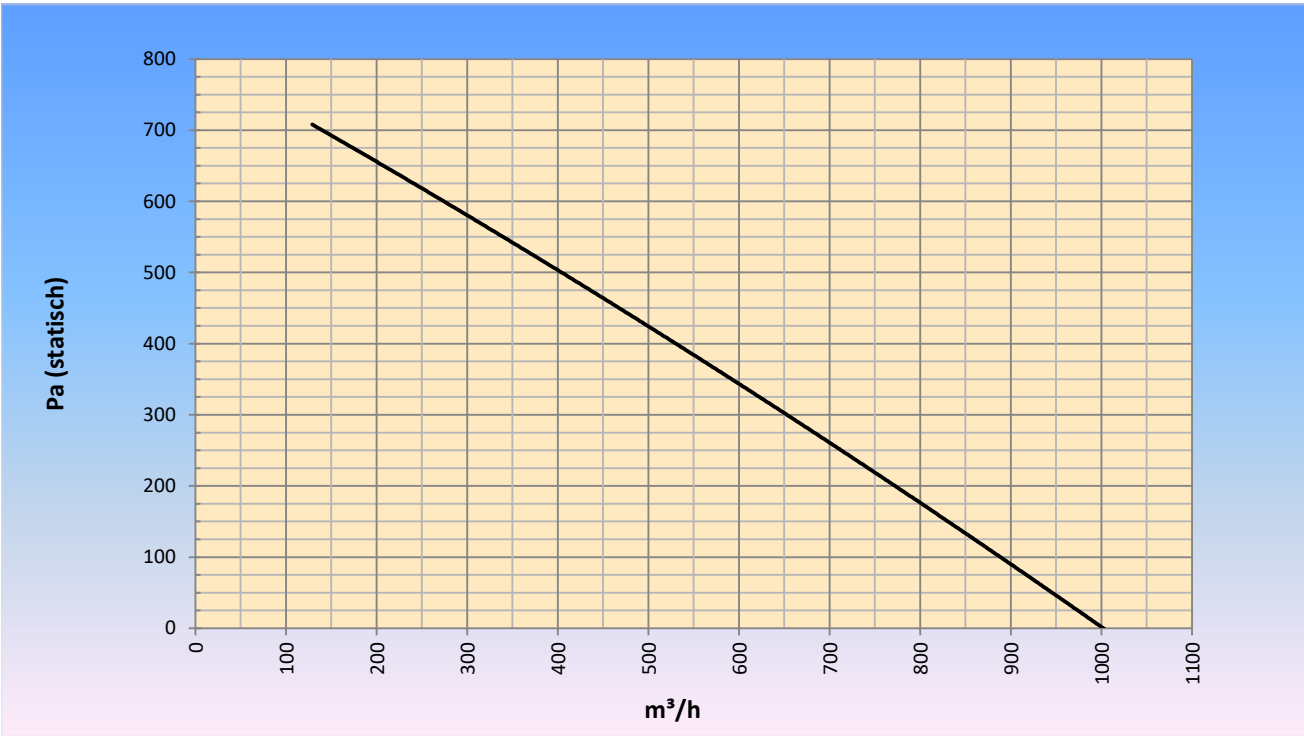
**Options:**

Flat roof socket	DOK 190/225
Silencer for use below roof	OGD 190/225
Silencer for use above roof	BGD 190/225
Gravity Louvre shutter	SJ 190/225
Roof duct	DDR 190/225
Gravity Back draft damper	VKS 190/225
Roof socket for inclined roof	DS 190/225
Roof socket for inclined roof / lead slab	DSL 190/225
Speed control	MTP 10

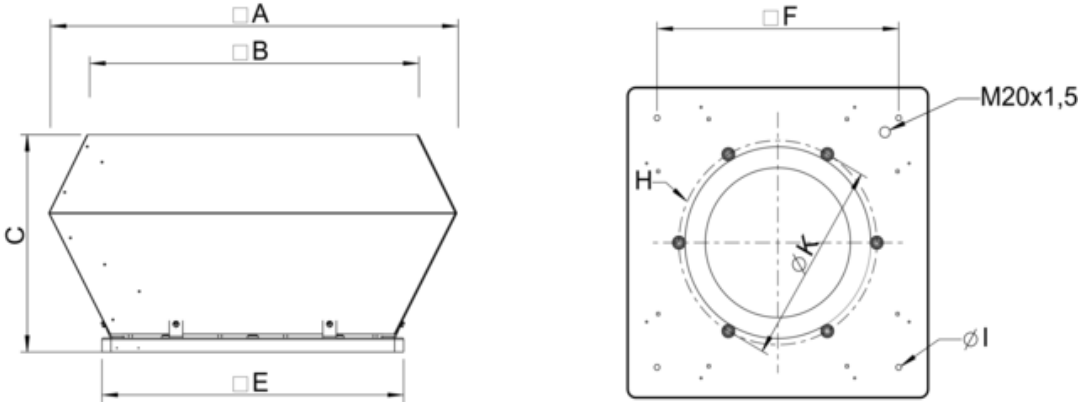
Assembly examples:



Curve:



Dimensions:



□A	□B	C	□E	□F	H	øK	øI
370	320	175	335	245	6xM6	213	10(4x)

Subject to changes and typing errors.

**DVC 315-S 1x230V**



Vertical blow out roof fan model DVC, **manufactory ST-Fans.**

Backward curved blades made of polyamide PA 6 for type 190 to 225. From type 315 to 630, the impellers are made of Polypropylene PP and are driven by a high efficiency and energy-efficient EC motor.

These roof fans have an excellent noise level and are maintenance-free and reliable. The maximum temperature of the air to be moved is a maximum of 60 ° C. The base plate is made of galvanized sheet steel.

The rain cover is completely made of seawater resistant aluminum AlMg 3. Sealing tape and mounting material are supplied as standard.

**General data:**

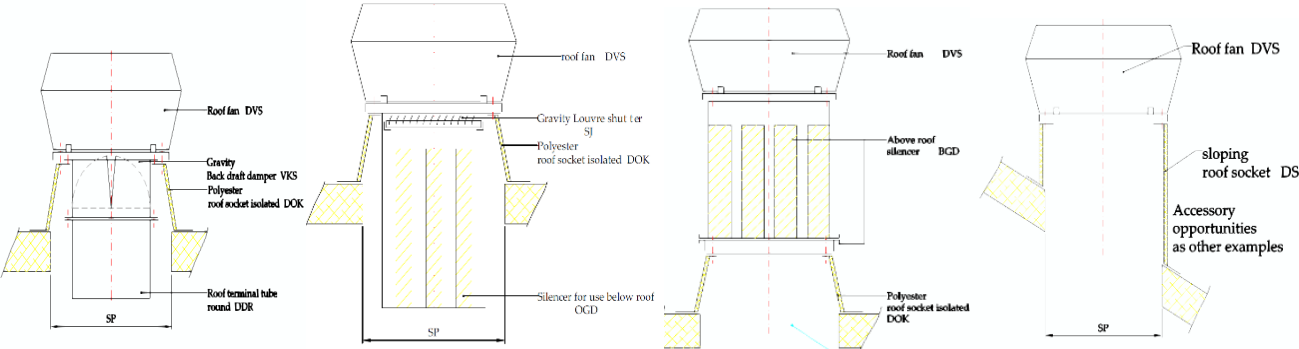
Max Air flow	2.318	m3/h
Impeller speed	1.571	rpm
Input power	0,167	kW
Voltage (nominal)	1x230/50/60	V/Hz
Input current	1,34	A
Enclosure class, motor	54	IP
Weight	12,2	kg
Sound pressure level ±2*	45	dB(A)

\* (at 4 m near the fan with inlet and outlet ducted, in free field)

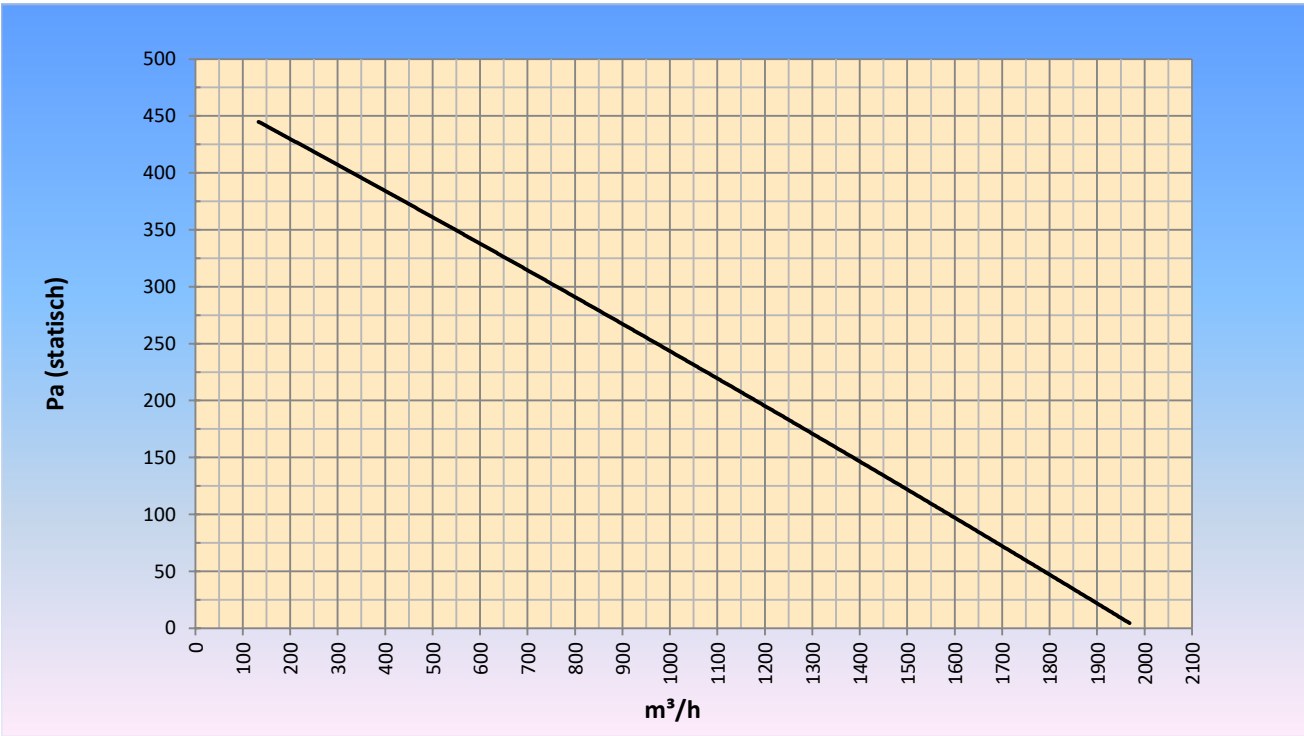
**Options:**

Flat roof socket	DOK 310/311/315
Silencer for use below roof	OGD 310/311/315
Silencer for use above roof	BGD 310/311/315
Gravity Louvre shutter	SJ 310/311/315
Roof duct	DDR 310/311/315
Gravity Back draft damper	VKS 310/311/315
Roof socket for inclined roof	DS 310/311/315
Roof socket for inclined roof / lead slab	DSL 310/311/315
Speed control	MTP 10

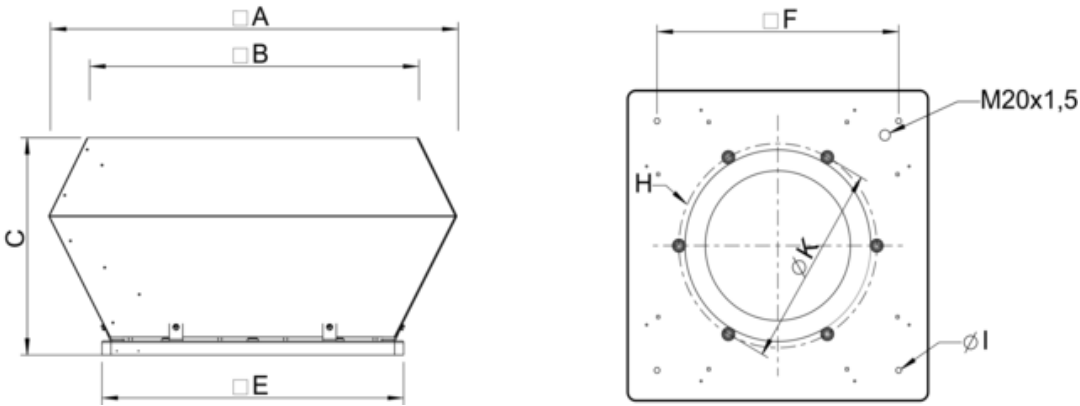
**Assembly examples**



Curve:



Dimensions:



□A	□B	C	□E	□F	H	øK	øI
560	470	330	435	330	6xM6	285	10(4x)

Subject to changes and typing errors.

**DVC 355-S 1x230V**



Vertical blow out roof fan model DVC, **manufactory ST-Fans.**

Backward curved blades made of polyamide PA 6 for type 190 to 225. From type 315 to 630, the impellers are made of Polypropylene PP and are driven by a high efficiency and energy-efficient EC motor.

These roof fans have an excellent noise level and are maintenance-free and reliable. The maximum temperature of the air to be moved is a maximum of 60 ° C. The base plate is made of galvanized sheet steel.

The rain cover is completely made of seawater resistant aluminum AlMg 3. Sealing tape and mounting material are supplied as standard.

**General data:**

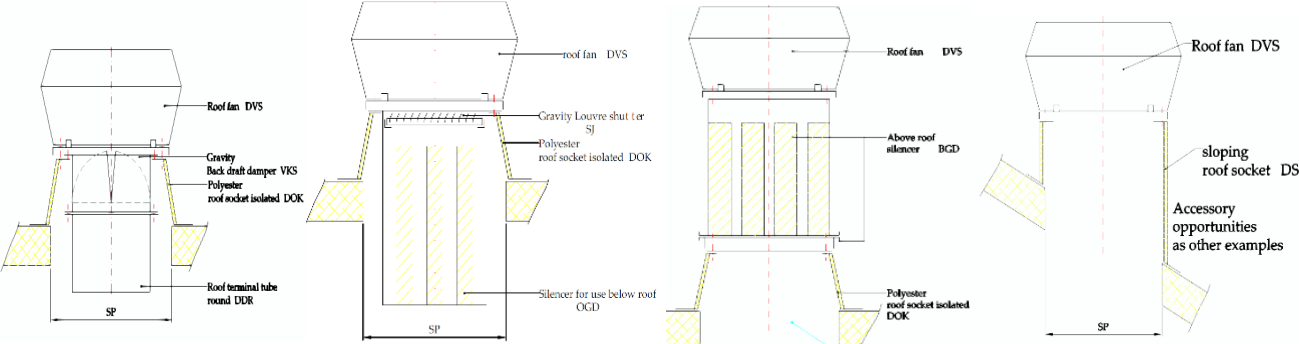
Max Air flow	4.136	m3/h
Impeller speed	1.800	rpm
Input power	0,521	kW
Voltage (nominal)	1x230/50/60	V/Hz
Input current	2,18	A
Enclosure class, motor	55	IP
Weight	22,6	kg
Sound pressure level ±2*	59	dB(A)

\* (at 4 m near the fan with inlet and outlet ducted, in free field)

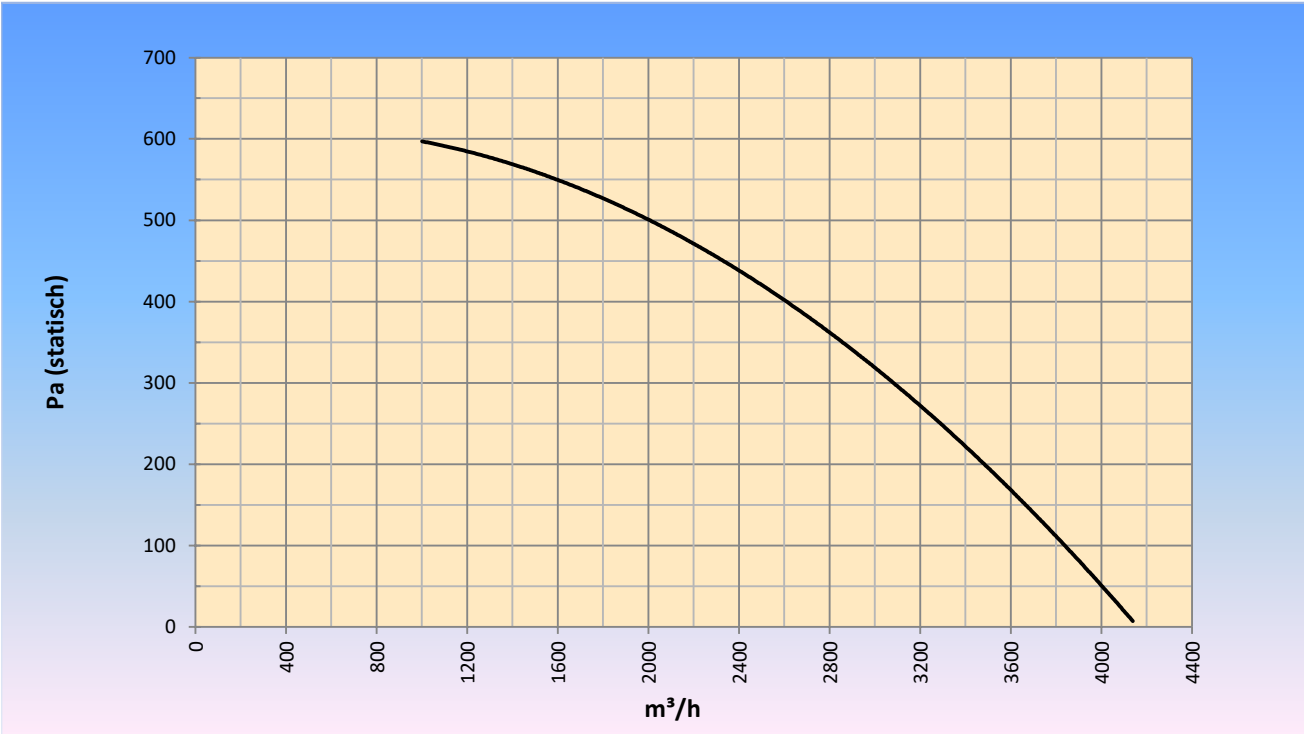
**Options:**

Flat roof socket	DOK 355/400
Silencer for use below roof	OGD 355/400
Silencer for use above roof	BGD 355/400
Gravity Louvre shutter	SJ 355/400
Roof duct	DDR 355/400/450/500
Gravity Back draft damper	VKS 355/400/450/499/500
Roof socket for inclined roof	DS 355/400
Roof socket for inclined roof / lead slab	DSL 355/400
Speed control	MTP 10

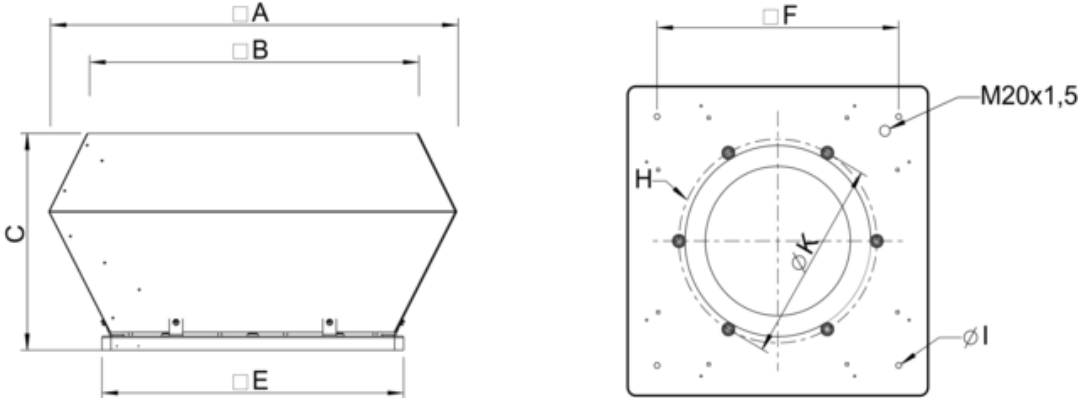
**Assembly examples**



Curve:



Dimensions:



A	B	C	E	F	H	øK	øI
720	618	390	595	450	6xM6	438	10(4x)



## DVC 400-S 1x230V



Vertical blow out roof fan model DVC, **manufactory ST-Fans.**

Backward curved blades made of polyamide PA 6 for type 190 to 225. From type 315 to 630, the impellers are made of Polypropylene PP and are driven by a high efficiency and energy-efficient EC motor.

These roof fans have an excellent noise level and are maintenance-free and reliable. The maximum temperature of the air to be moved is a maximum of 60 ° C. The base plate is made of galvanized sheet steel.

The rain cover is completely made of seawater resistant aluminum AlMg 3. Sealing tape and mounting material are supplied as standard.

### General data:

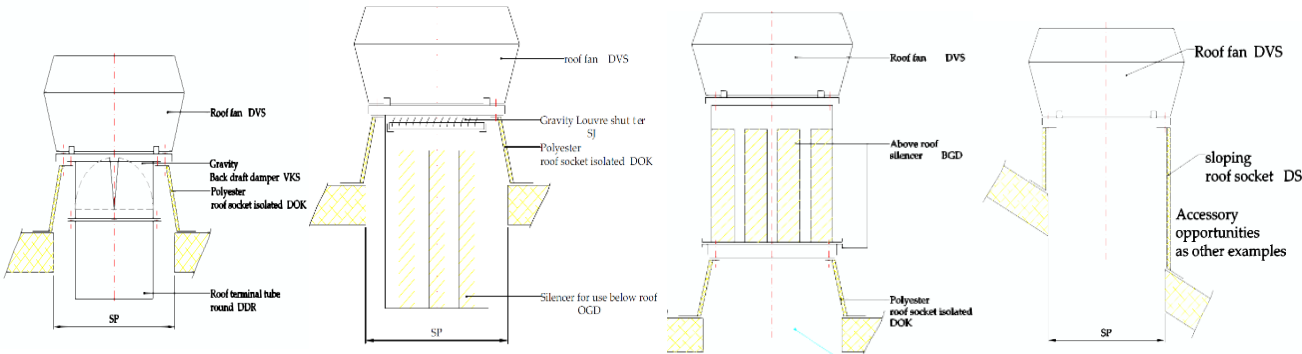
Max Air flow	4.518	m3/h
Impeller speed	1.519	rpm
Input power	0,559	kW
Voltage (nominal)	1x230/50/60	V/Hz
Input current	2,32	A
Enclosure class, motor	55	IP
Weight	23,1	kg
Sound pressure level ±2*	47	dB(A)

\* (at 4 m near the fan with inlet and outlet ducted, in free field)

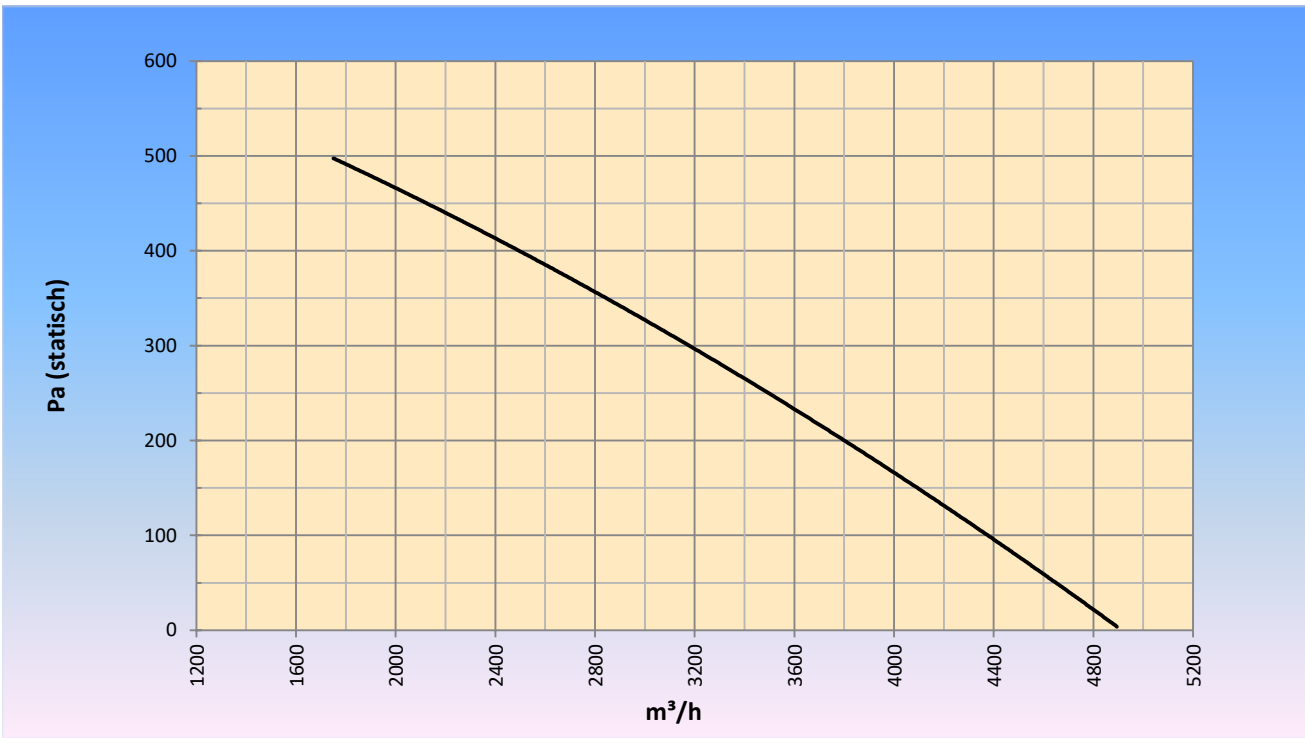
### Options:

Flat roof socket	DOK 355/400
Silencer for use below roof	OGD 355/400
Silencer for use above roof	BGD 355/400
Gravity Louvre shutter	SJ 355/400
Roof duct	DDR 355/400/450/500
Gravity Back draft damper	VKS 355/400/450/499/500
Roof socket for inclined roof	DS 355/400
Roof socket for inclined roof / lead slab	DSL 355/400
Speed control	MTP 10

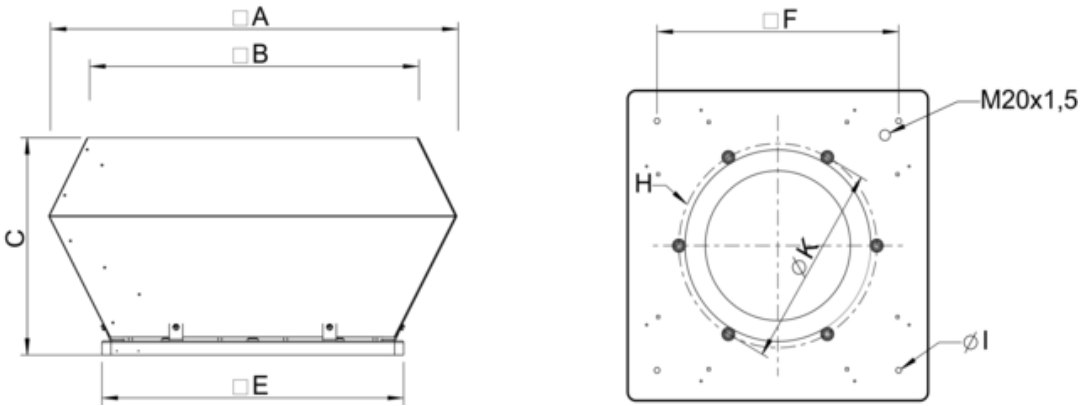
**Assembly examples**



Curve:



Dimensions:



□A	□B	C	□E	□F	H	øK	øI
720	618	390	595	450	6xM6	438	10(4x)

**DVC 450-S 3x400V**



Vertical blow out roof fan model DVC, **manufactory ST-Fans.**

Backward curved blades made of polyamide PA 6 for type 190 to 225. From type 315 to 630, the impellers are made of Polypropylene PP and are driven by a high efficiency and energy-efficient EC motor.

These roof fans have an excellent noise level and are maintenance-free and reliable. The maximum temperature of the air to be moved is a maximum of 60 ° C. The base plate is made of galvanized sheet steel.

The rain cover is completely made of seawater resistant aluminum AlMg 3. Sealing tape and mounting material are supplied as standard.

**General data:**

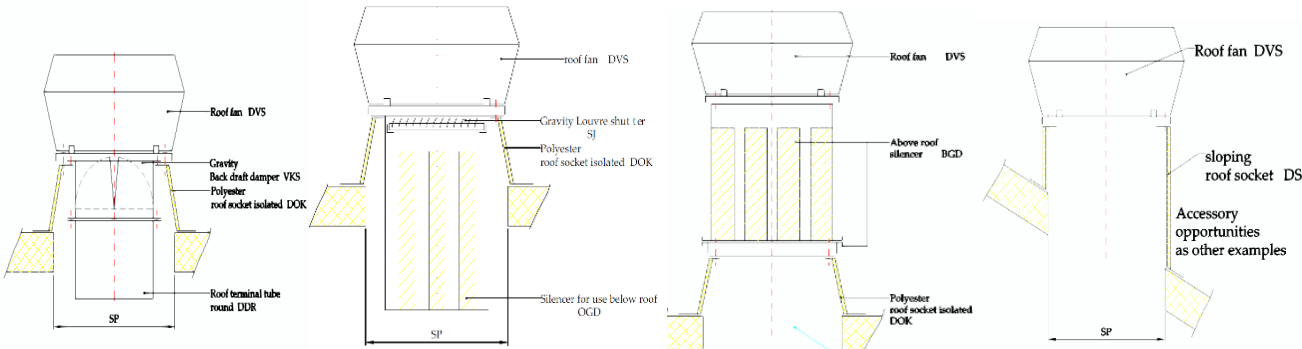
Max Air flow	6.782	m3/h
Impeller speed	1.555	rpm
Input power	0,996	kW
Voltage (nominal)	3x400/50/60	V/Hz
Input current	1,47	A
Enclosure class, motor	55	IP
Weight	37,7	kg
Sound pressure level ±2*	54	dB(A)

\* (at 4 m near the fan with inlet and outlet ducted, in free field)

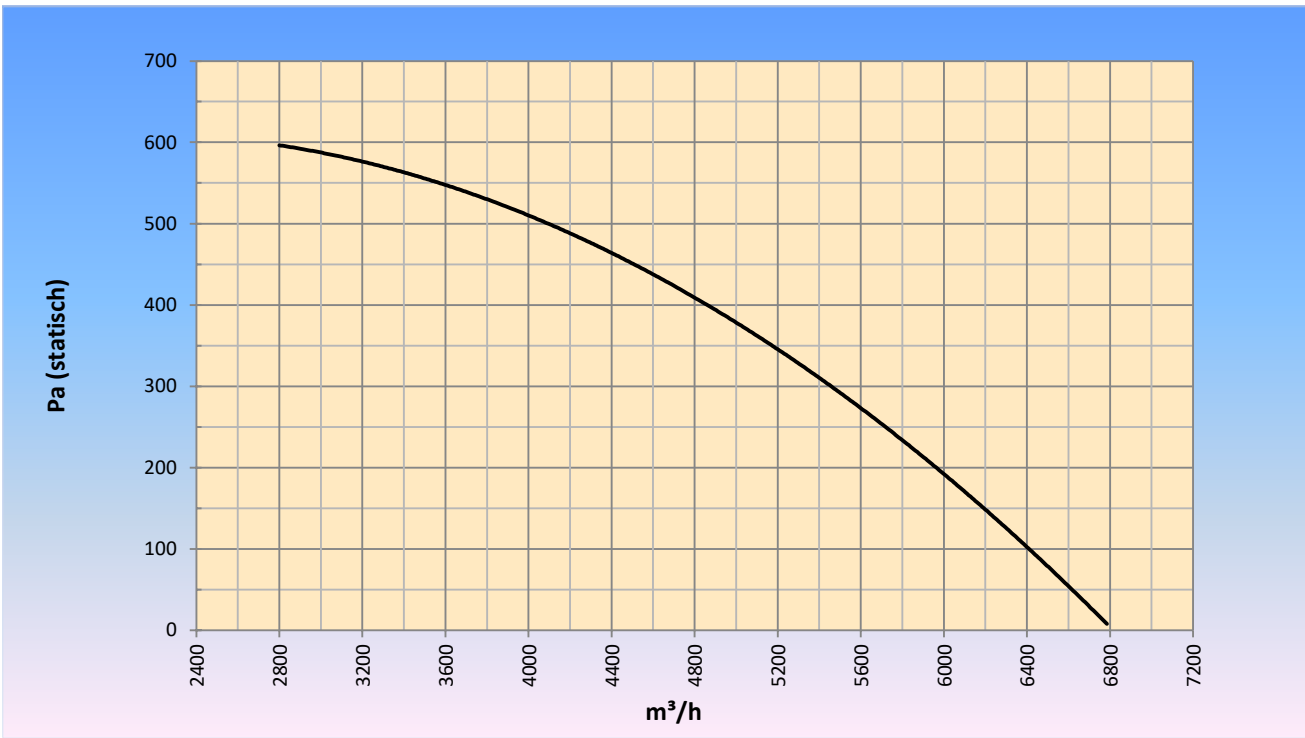
**Options:**

Flat roof socket	DOK 450/500
Silencer for use below roof	OGD 450/500
Silencer for use above roof	BGD 450/500
Gravity Louvre shutter	SJ 450/500
Roof duct	DDR 355/400/450/500
Gravity Back draft damper	VKS 355/400/450/499/500
Roof socket for inclined roof	DS 450/500
Roof socket for inclined roof / lead slab	DSL 450/500
Speed control	MTP 10

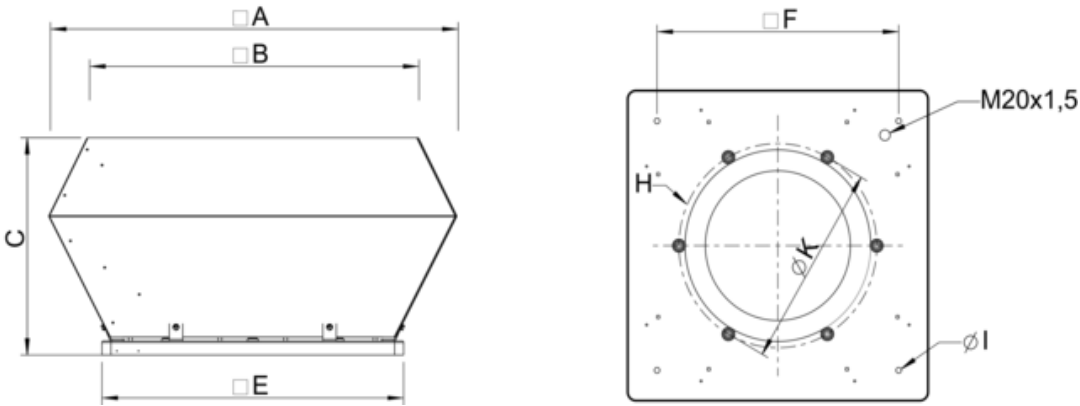
**Assembly examples**



Curve:



Dimensions:



□A	□B	C	□E	□F	H	øK	øI
903	730	467	665	535	6xM8	438	12(4x)

Subject to changes and typing errors.

**DVC 500-S 3x400V**



Vertical blow out roof fan model DVC, **manufactory ST-Fans.**

Backward curved blades made of polyamide PA 6 for type 190 to 225. From type 315 to 630, the impellers are made of Polypropylene PP and are driven by a high efficiency and energy-efficient EC motor.

These roof fans have an excellent noise level and are maintenance-free and reliable. The maximum temperature of the air to be moved is a maximum of 60 ° C. The base plate is made of galvanized sheet steel.

The rain cover is completely made of seawater resistant aluminum AlMg 3. Sealing tape and mounting material are supplied as standard.

**General data:**

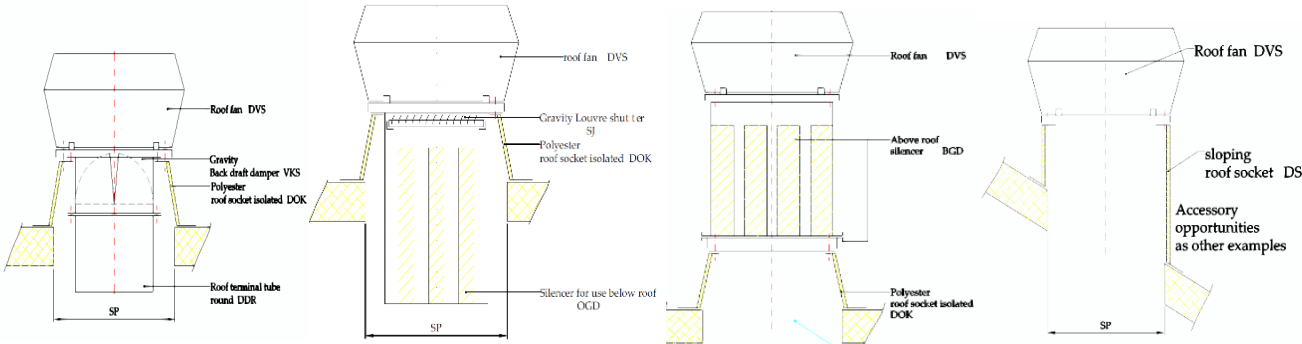
Max Air flow	8.258	m3/h
Impeller speed	1.350	rpm
Input power	1,349	kW
Voltage (nominal)	3x400/50/60	V/Hz
Input current	1,97	A
Enclosure class, motor	55	IP
Weight	41,3	kg
Sound pressure level ±2*	55	dB(A)

\* (at 4 m near the fan with inlet and outlet ducted, in free field)

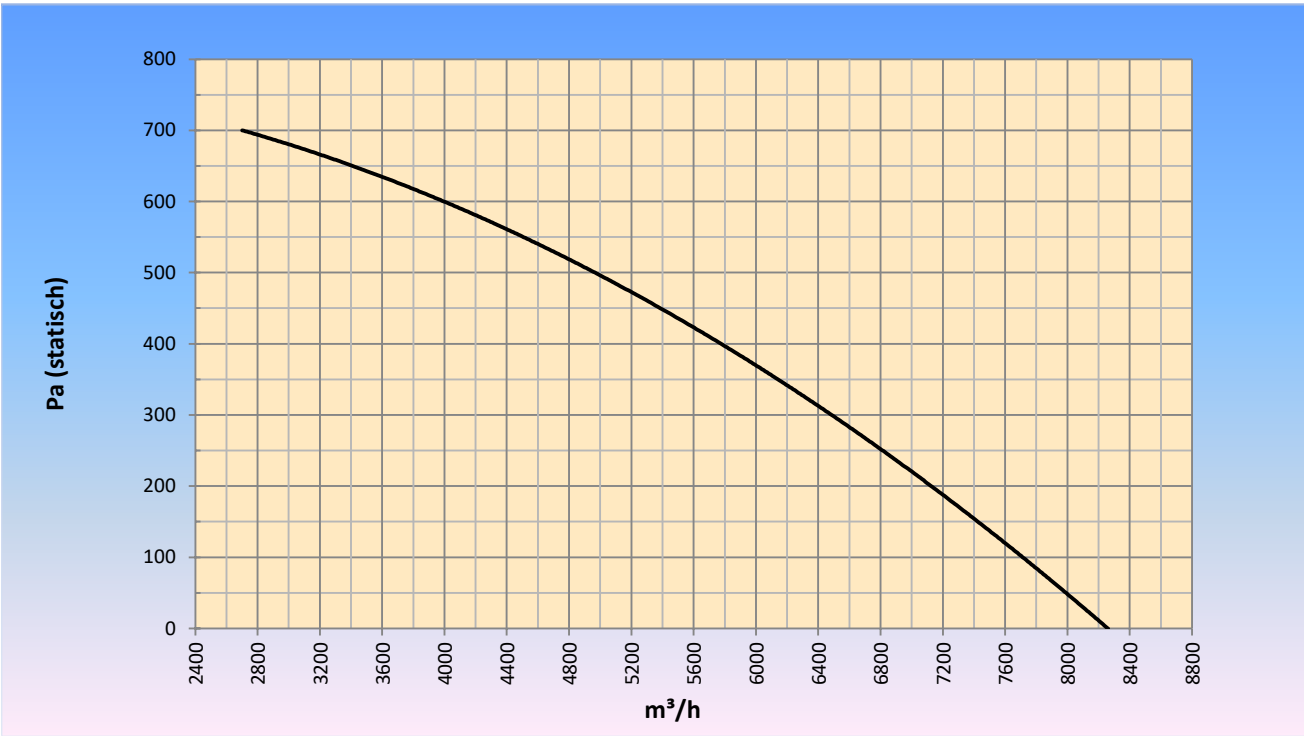
**Options:**

Flat roof socket	DOK 450/500
Silencer for use below roof	OGD 450/500
Silencer for use above roof	BGD 450/500
Gravity Louvre shutter	SJ 450/500
Roof duct	DDR 355/400/450/500
Gravity Back draft damper	VKS 355/400/450/499/500
Roof socket for inclined roof	DS 450/500
Roof socket for inclined roof / lead slab	DSL 450/500
Speed control	MTP 10

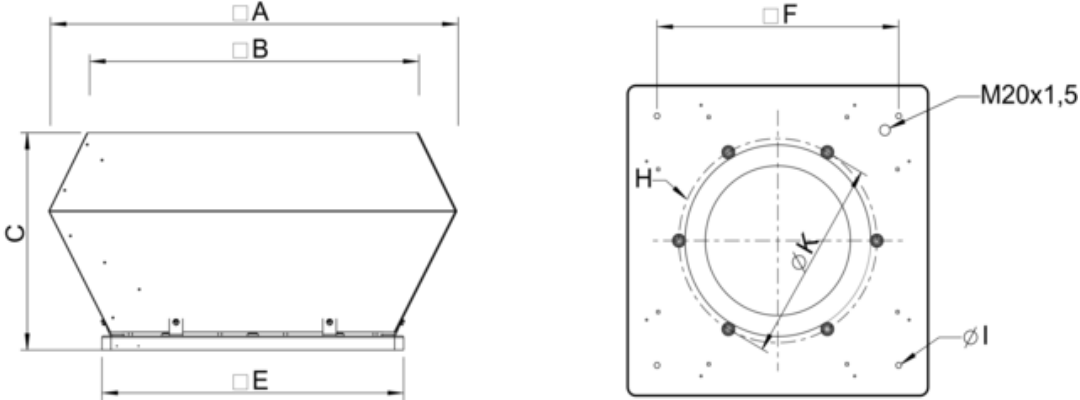
**Assembly examples:**



**Curve:**



**Dimensions:**



□A	□B	C	□E	□F	H	øK	øI
903	730	467	665	535	6xM8	438	12(4x)

Subject to changes and typing errors.

**DVC 560-S 3x400V**



Vertical blow out roof fan model DVC, **manufactory ST-Fans.**

Backward curved blades made of polyamide PA 6 for type 190 to 225. From type 315 to 630, the impellers are made of Polypropylene PP and are driven by a high efficiency and energy-efficient EC motor.

These roof fans have an excellent noise level and are maintenance-free and reliable. The maximum temperature of the air to be moved is a maximum of 60 ° C. The base plate is made of galvanized sheet steel.

The rain cover is completely made of seawater resistant aluminum AlMg 3. Sealing tape and mounting material are supplied as standard.

**General data:**

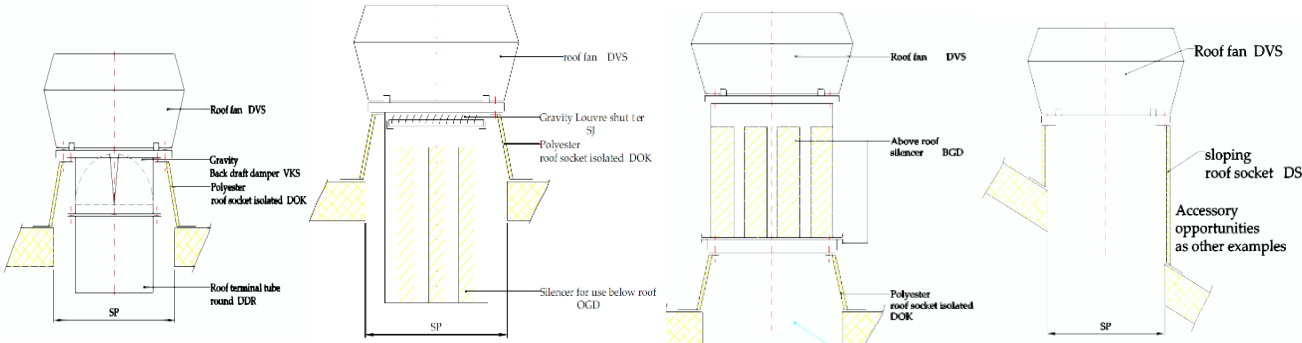
Max Air flow	10.811	m3/h
Impeller speed	1.708	rpm
Input power	2,758	kW
Voltage (nominal)	3x400/50/60	V/Hz
Input current	4,11	A
Enclosure class, motor	55	IP
Weight	78,0	kg
Sound pressure level ±2*	63	dB(A)

\* (at 4 m near the fan with inlet and outlet ducted, in free field)

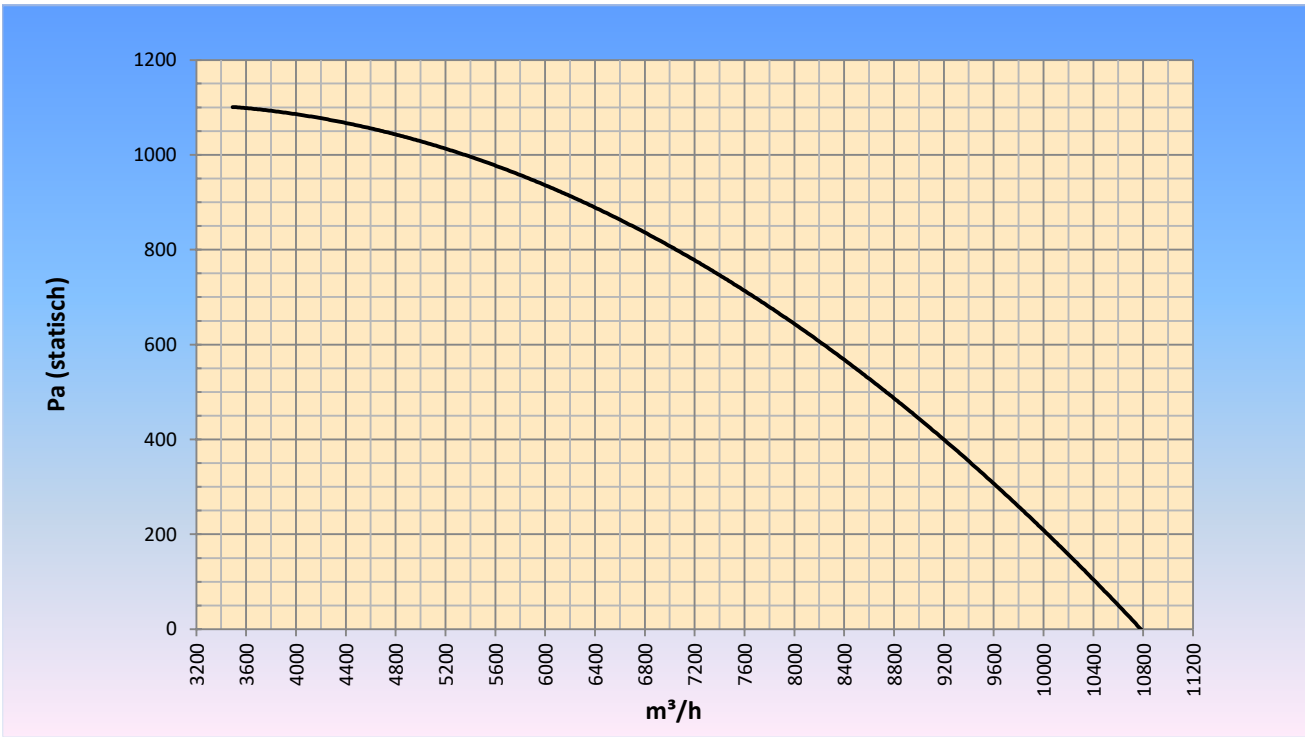
**Options:**

Flat roof socket	DOK 560/630
Silencer for use below roof	OGD 560/630
Silencer for use above roof	BGD 560/630
Gravity Louvre shutter	SJ 560/630
Roof duct	DDR 560/630
Gravity Back draft damper	VKS 560/630
Roof socket for inclined roof	DS 560/630
Roof socket for inclined roof / lead slab	DSL 560/630
Speed control	MTP 10

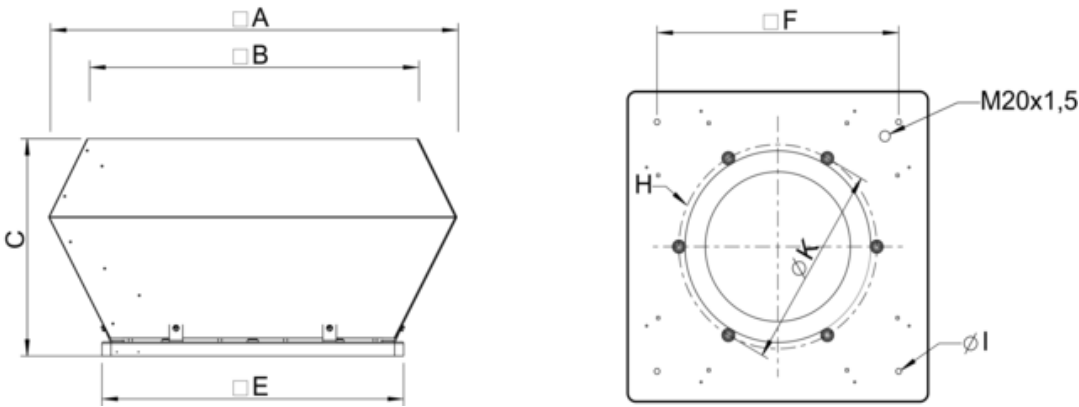
**Assembly examples:**



Curve:



**Dimensions:**



A	B	C	E	F	H	K	I
1150	960	565	939	750	8xM8	605	14(4x)

Subject to changes and typing errors.



**DVC 630-S 3x400V**



Vertical blow out roof fan model DVC, **manufactory ST-Fans.**

Backward curved blades made of polyamide PA 6 for type 190 to 225. From type 315 to 630, the impellers are made of Polypropylene PP and are driven by a high efficiency and energy-efficient EC motor.

These roof fans have an excellent noise level and are maintenance-free and reliable. The maximum temperature of the air to be moved is a maximum of 60 ° C. The base plate is made of galvanized sheet steel.

The rain cover is completely made of seawater resistant aluminum AlMg 3. Sealing tape and mounting material are supplied as standard.

**General data:**

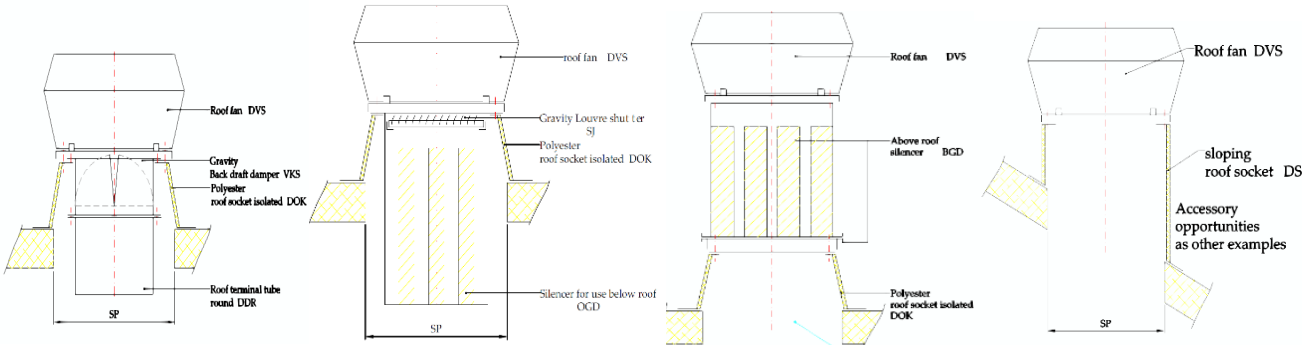
Max Air flow	13.324	m3/h
Impeller speed	1.656	rpm
Input power	3,138	kW
Voltage (nominal)	3x400/50/60	V/Hz
Input current	4,55	A
Enclosure class, motor	55	IP
Weight	80,0	kg
Sound pressure level ±2*	64	dB(A)

\* (at 4 m near the fan with inlet and outlet ducted, in free field)

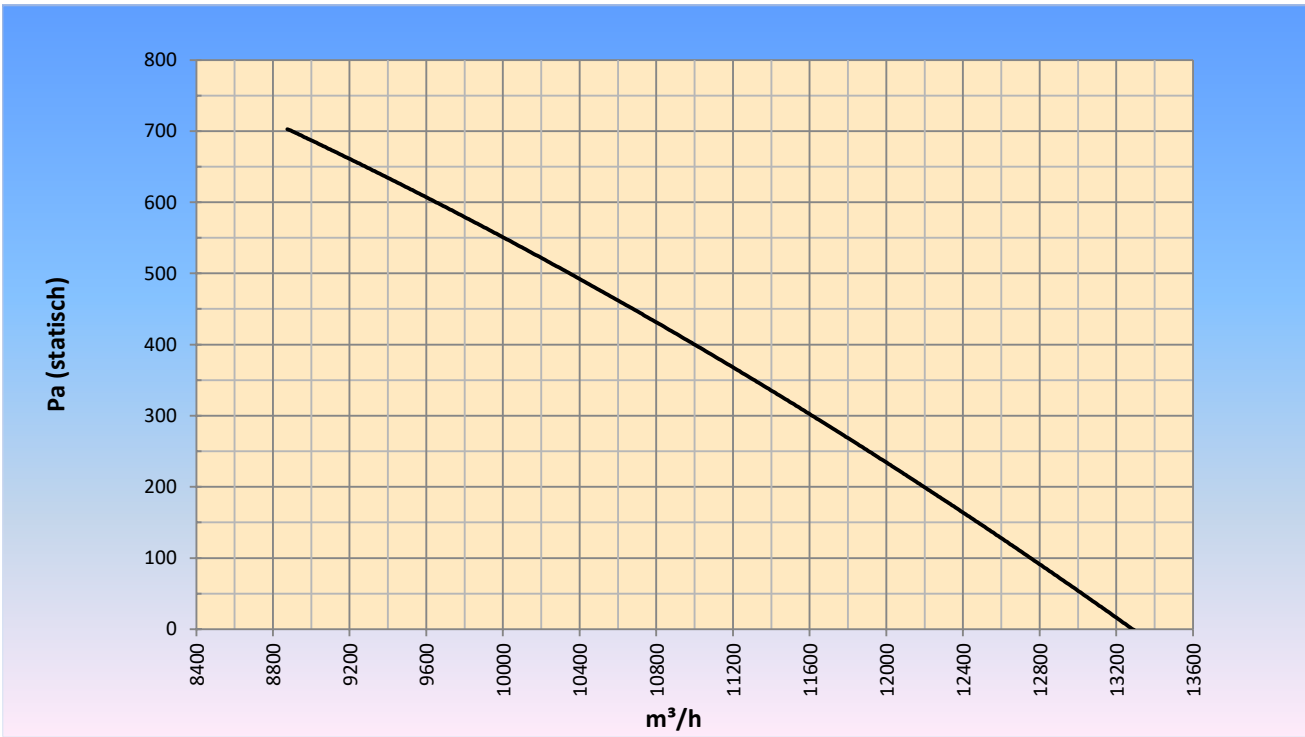
**Options:**

Flat roof socket	DOK 560/630
Silencer for use below roof	OGD 560/630
Silencer for use above roof	BGD 560/630
Gravity Louvre shutter	SJ 560/630
Roof duct	DDR 560/630
Gravity Back draft damper	VKS 560/630
Roof socket for inclined roof	DS 560/630
Roof socket for inclined roof / lead slab	DSL 560/630
Speed control	MTP 10

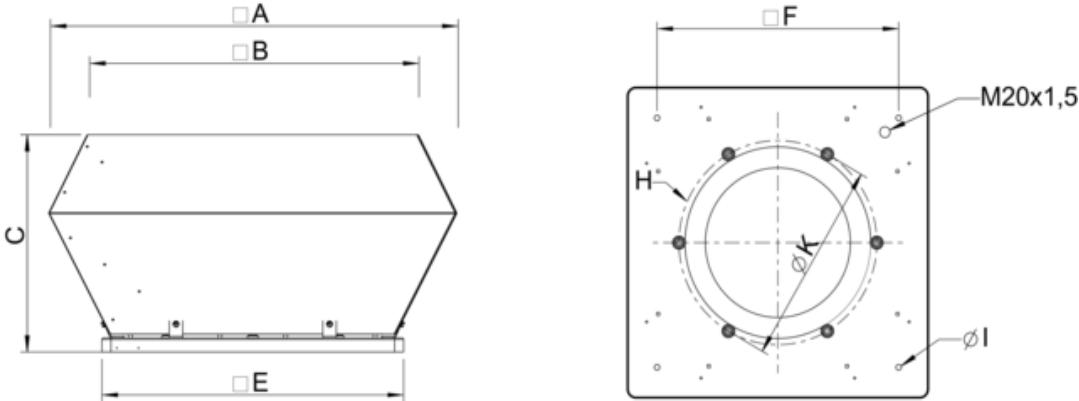
**Assembly examples:**



Curve:



Dimensions:



A	B	C	E	F	H	øK	øI
1150	960	565	939	750	8xM8	605	14(4x)

**DVC 710-S 3x400V**



Vertical blow out roof fan model DVC, **manufactory ST-Fans.**

Backward curved blades made of polyamide PA 6 for type 190 to 225. From type 315 to 630, the impellers are made of Polypropylene PP and are driven by a high efficiency and energy-efficient EC motor.

These roof fans have an excellent noise level and are maintenance-free and reliable. The maximum temperature of the air to be moved is a maximum of 60 ° C. The base plate is made of galvanized sheet steel.

The rain cover is completely made of seawater resistant aluminum AlMg 3. Sealing tape and mounting material are supplied as standard.

**General data:**

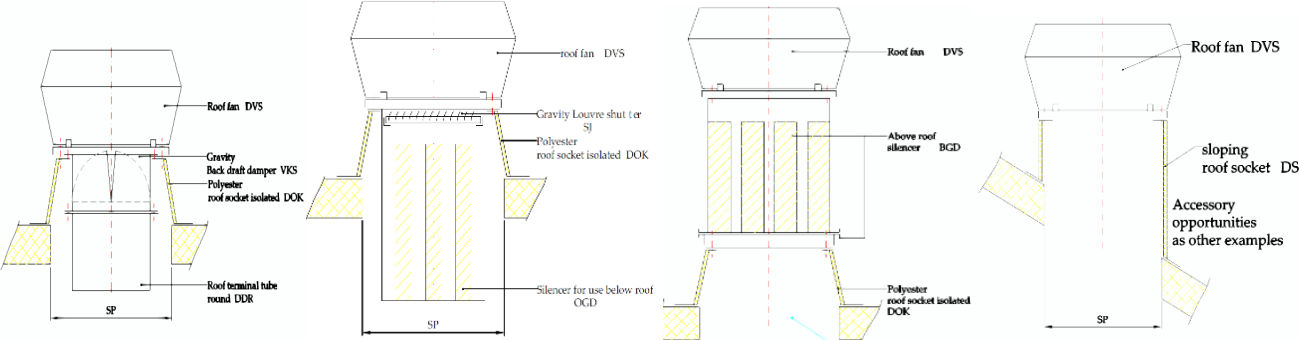
Max Air flow	16.596	m3/h
Impeller speed	1.302	rpm
Input power	2,94	kW
Voltage (nominal)	3x400/50/60	V/Hz
Input current	4,4	A
Enclosure class, motor	55	IP
Weight	101,0	kg
Sound pressure level ±2*	63	dB(A)

\* (at 4 m near the fan with inlet and outlet ducted, in free field)

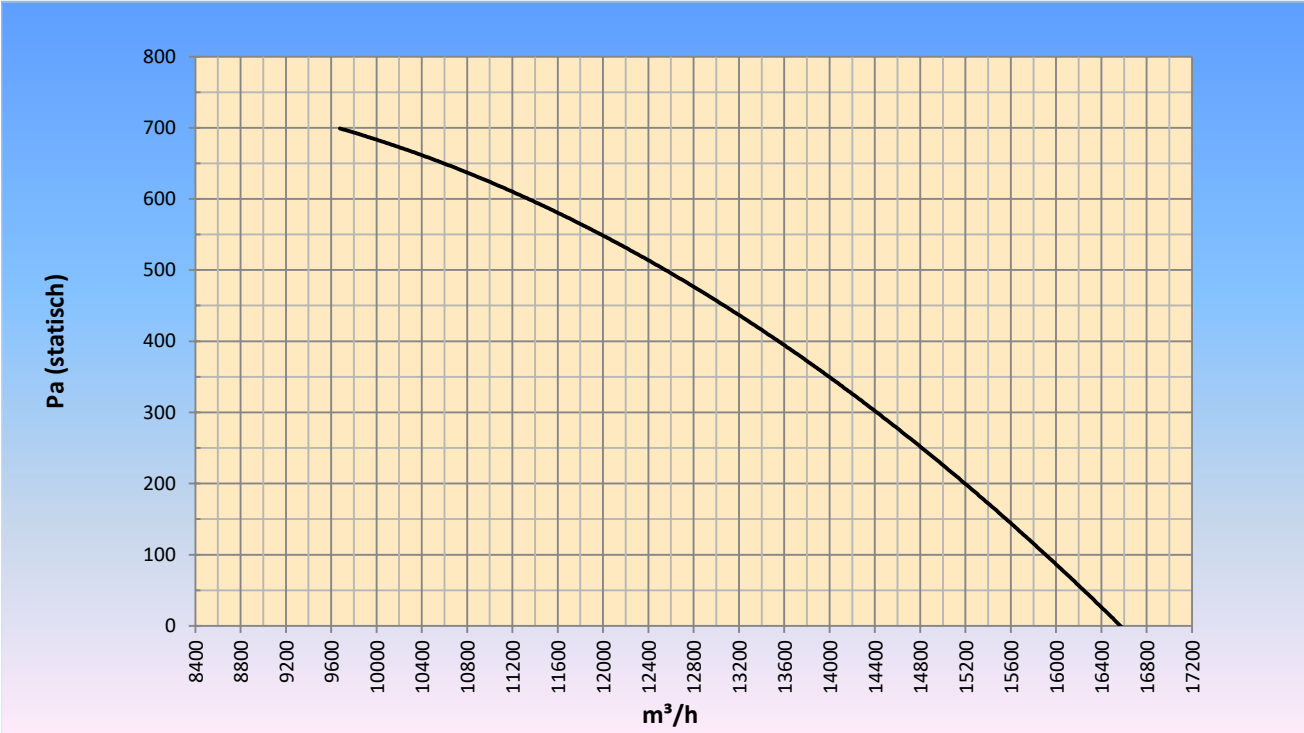
**Options:**

Flat roof socket	DOK 710
Silencer for use below roof	OGD 710
Silencer for use above roof	BGD 710
Gravity Louvre shutter	SJ 710
Roof duct	DDR 710
Gravity Back draft damper	VKS 710
Roof socket for inclined roof	DS 710
Roof socket for inclined roof / lead slab	DSL 710
Speed control	MTP 10

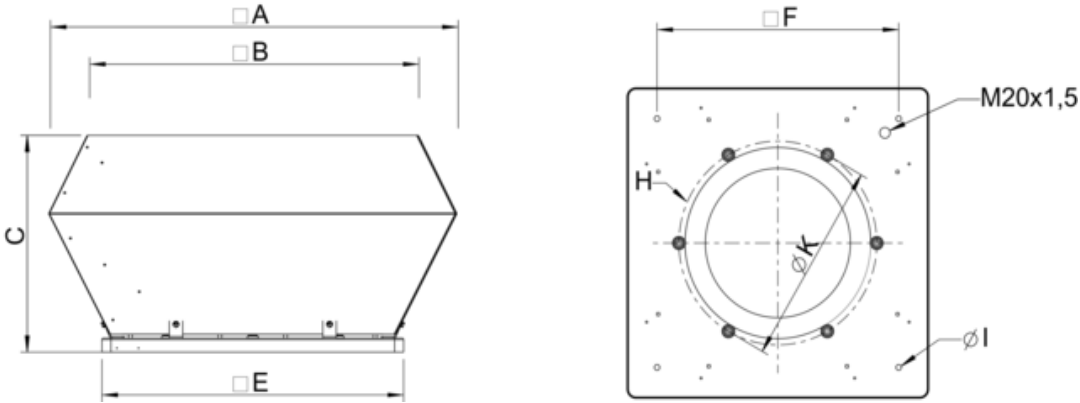
**Assembly examples:**



Curve:



Dimensions:



□A	□B	C	□E	□F	H	øK	øI
1350	1185	660	1035	840	8xM8	674	14(4x)

Subject to changes and typing errors.