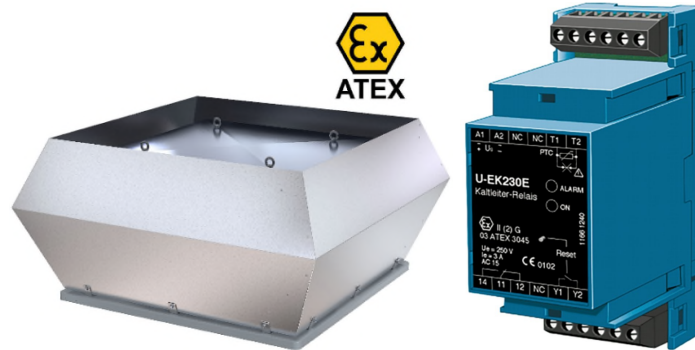


DVEX 400D4



Vertical discharge roof fan model DVEX, manufactory ST-Fans.

The impeller is equipped with 3D-profiled backward curved blades and is directly driven by a speed-adjustable outer pole motor.

These roof fans have a high efficiency, excellent noise level and are maintenance-free and reliable. The maximum temperature of the air to be moved is, depending on the type, between 40 ° C and 70 ° C. The base plate is made of galvanized sheet steel.

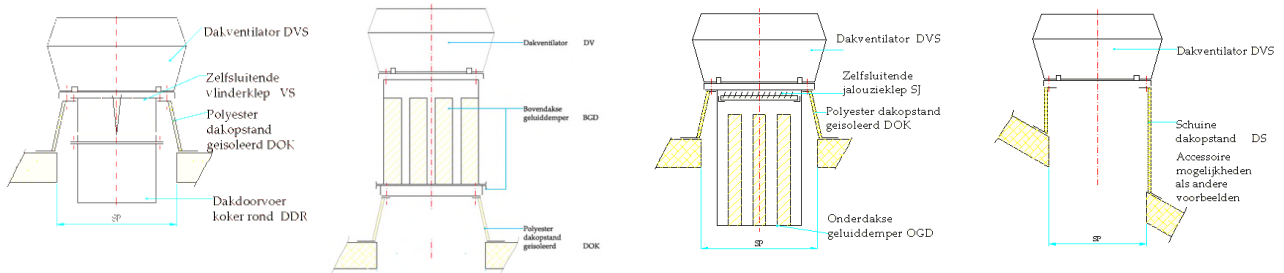
The rain cover is completely made of seawater resistant aluminum AlMg 3. Sealing tape and mounting material are supplied as standard.

General data:

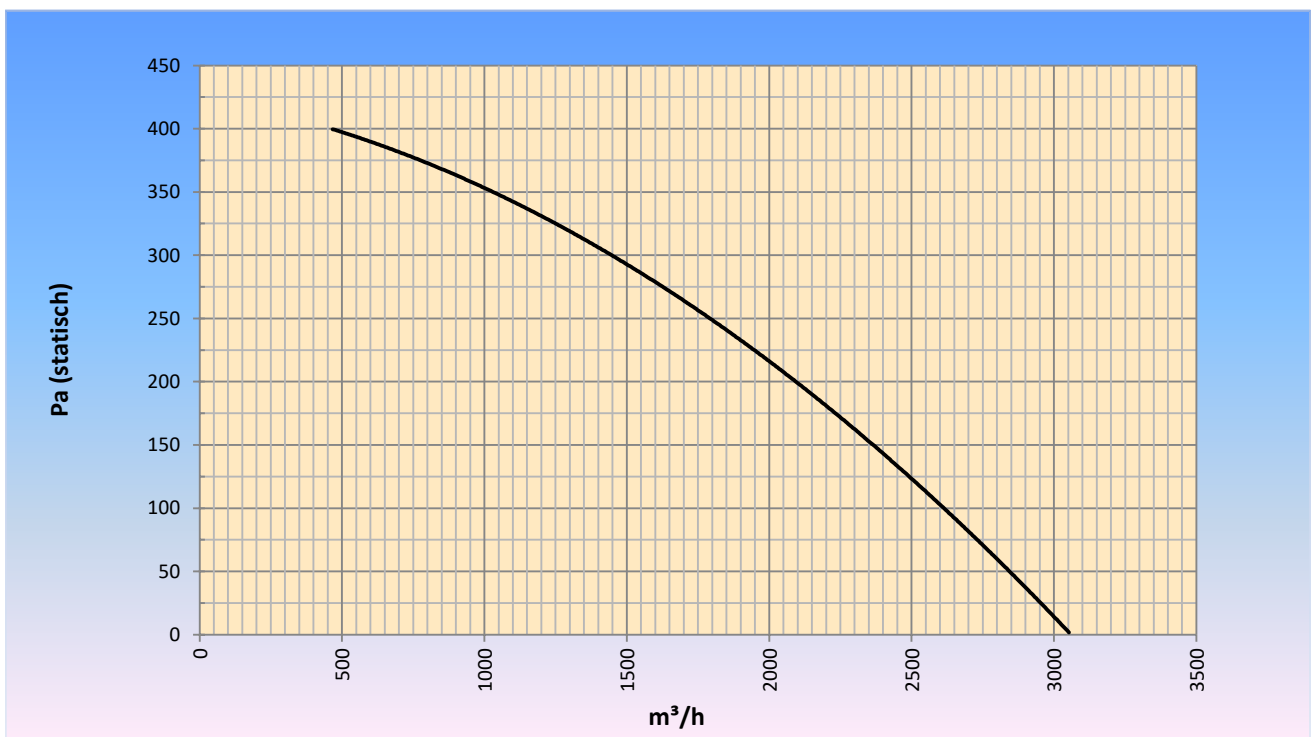
Max Air flow	3050	m ³ /h
Impeller speed	1.350	rpm
Input power	0,39	kW
Voltage (nominal)	3x400/50	V/Hz
Input current	0,76	A
Enclosure class, motor	44	IP
Weight	28,0	kg
Sound pressure level ±2*	54	dB(A)

* (at 4 m near the fan with inlet and outlet ducted, in free field)

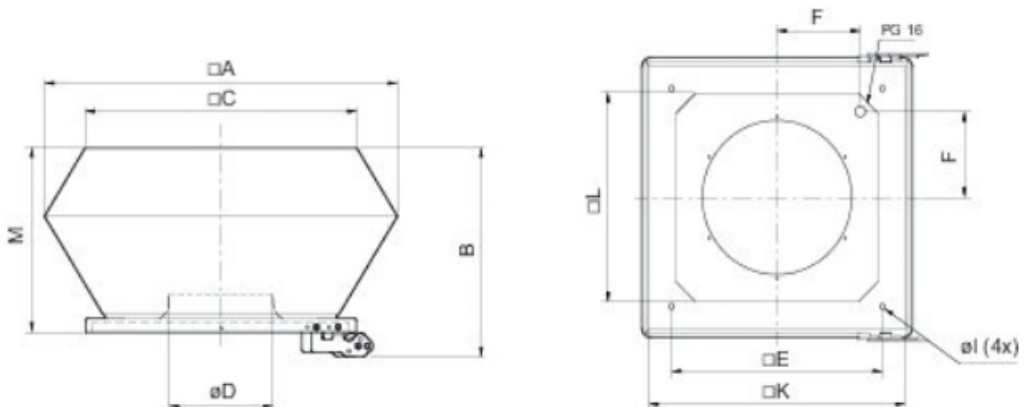
Assembly examples:



Curve:

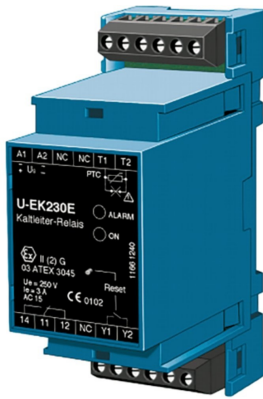


Dimensions:



A	B	C	∅D	E	F	∅L	K	L	M
720	442	618	255	450	199	12	566	466	390

U-EK230E Motor protection



Description

Thermistor motor protection

Monitoring device (PTC thermistor tripping device) with potential-free signal contact (at AC15: 250VAC & 3A)(e.g. for connection to a system controller or a frequency converter) to protect all motors with integrated PTC thermistors.

The U-EK 230E is a thermistor motor protection device which is intended for use in conjunction with a contactor for the protection of the Ex fans, it can also be used for fans with built-in thermistor. This is an electronic unit designed for snap fitting on to a 35 mm instrument rail. Fan motors have six series-connected thermistors, two per phase winding, whose resistance is determined...

Technical parameters

Nominal data	
Voltage (nominal)	230 V
Frequency	50 Hz
Protection/Classification	
Enclosure class	IP20
Controller and Sensors	
Permitted ambient temperature	-20 to 50 °C
Switching capacity	250V AC / 3A
Dimensions and weights	
Depth	58 mm
Height	116 mm
Width	35 mm
Weight	0.15 kg

Wiring

