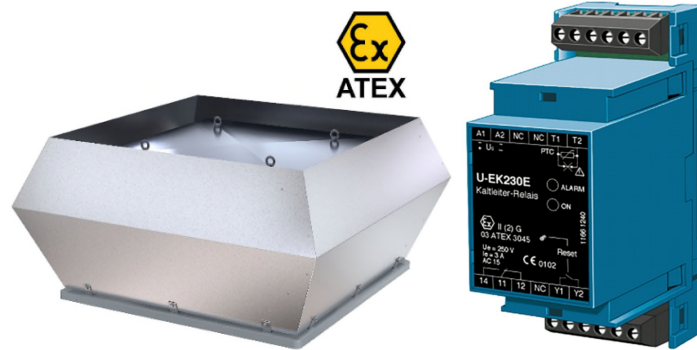


## DVEX 355D4



Vertical discharge roof fan model DVEX, manufactory ST-Fans.

The impeller is equipped with 3D-profiled backward curved blades and is directly driven by a speed-adjustable outer pole motor.

These roof fans have a high efficiency, excellent noise level and are maintenance-free and reliable. The maximum temperature of the air to be moved is, depending on the type, between 40 ° C and 70 ° C. The base plate is made of galvanized sheet steel.

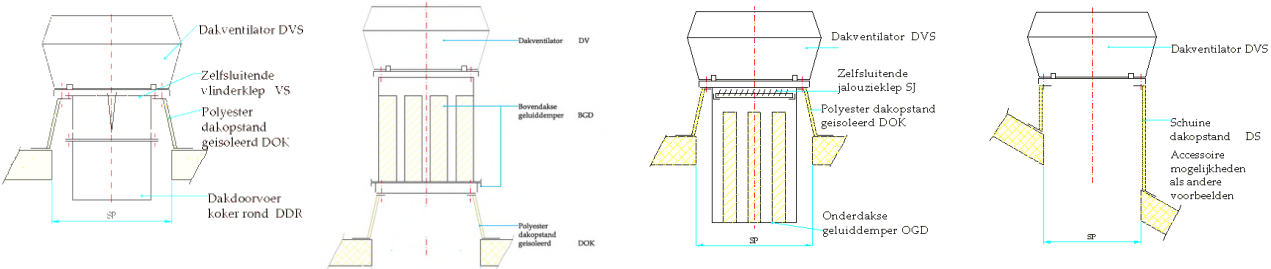
The rain cover is completely made of seawater resistant aluminum AlMg 3. Sealing tape and mounting material are supplied as standard.

### General data:

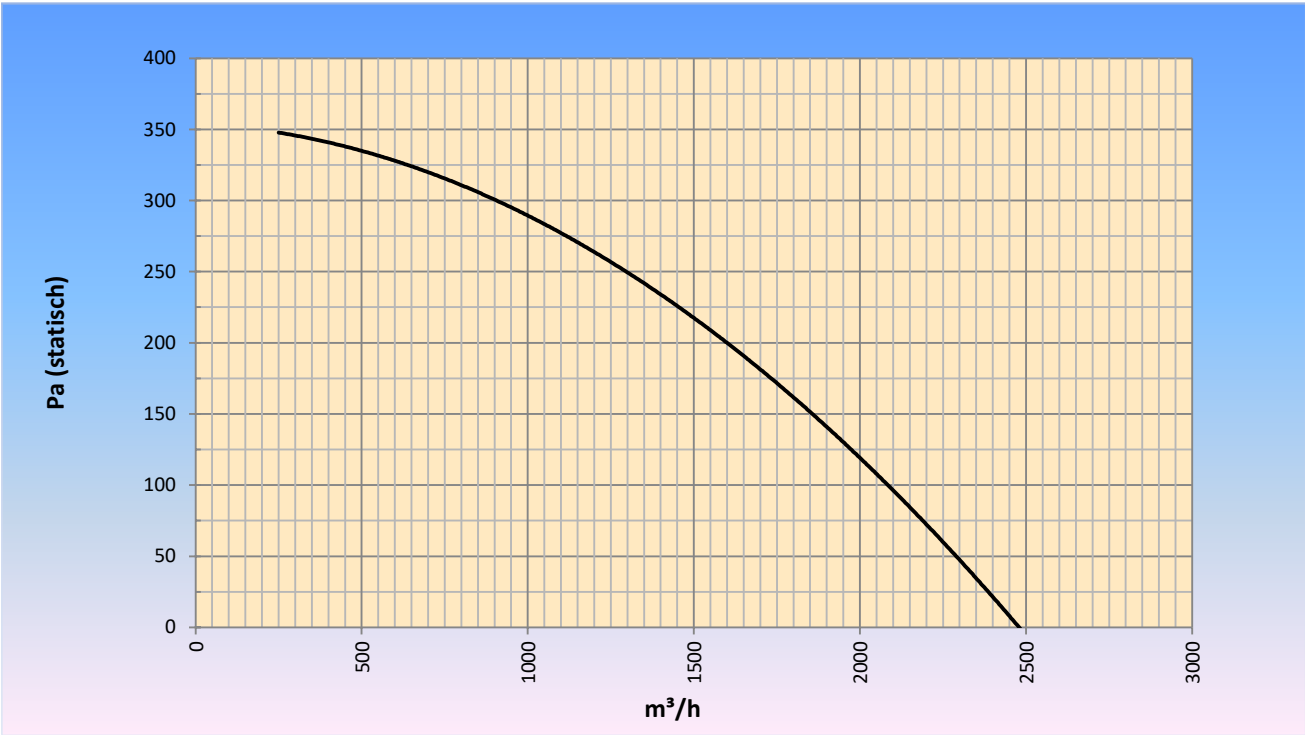
Max Air flow	2480	m3/h
Impeller speed	1.340	rpm
Input power	0,26	kW
Voltage (nominal)	3x400/50	V/Hz
Input current	0,47	A
Enclosure class, motor	44	IP
Weight	27,0	kg
Sound pressure level ±2*	49	dB(A)

\* (at 4 m near the fan with inlet and outlet ducted, in free field)

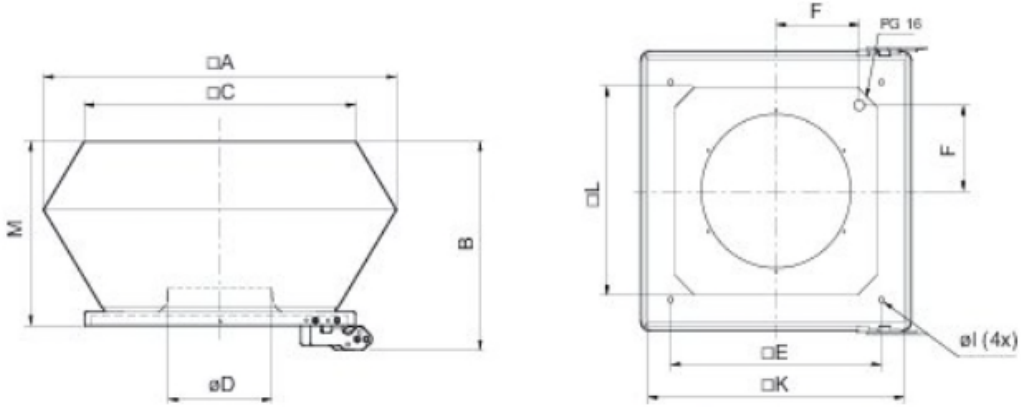
**Assembly examples:**



**Curve:**

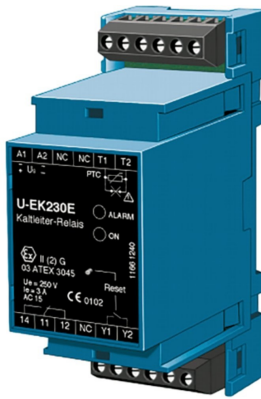


**Dimensions:**



A	B	C	øD	E	F	øL	K	L	M
720	442	618	226	450	199	12	566	466	390

## U-EK230E Motor protection



### Description

Thermistor motor protection

Monitoring device (PTC thermistor tripping device) with potential-free signal contact (at AC15: 250VAC & 3A)(e.g. for connection to a system controller or a frequency converter) to protect all motors with integrated PTC thermistors.

The U-EK 230E is a thermistor motor protection device which is intended for use in conjunction with a contactor for the protection of the Ex fans, it can also be used for fans with built-in thermistor. This is an electronic unit designed for snap fitting on to a 35 mm instrument rail. Fan motors have six series-connected thermistors, two per phase winding, whose resistance is determined...

### Technical parameters

Nominal data	
Voltage (nominal)	230 V
Frequency	50 Hz
Protection/Classification	
Enclosure class	IP20
Controller and Sensors	
Permitted ambient temperature	-20 to 50 °C
Switching capacity	250V AC / 3A
Dimensions and weights	
Depth	58 mm
Height	116 mm
Width	35 mm
Weight	0.15 kg

### Wiring

