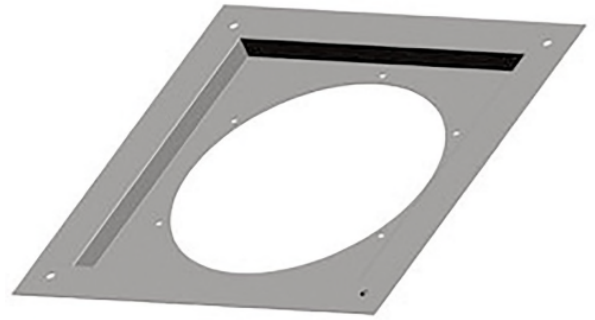


TDA 190/225 Adapter

Framework f. mounting of accessories, for air handling units

Adapter framework for mounting of accessories.
Adapter framework TDA for mounting into roof socket.
The adapter framework consists of galvanized steel.



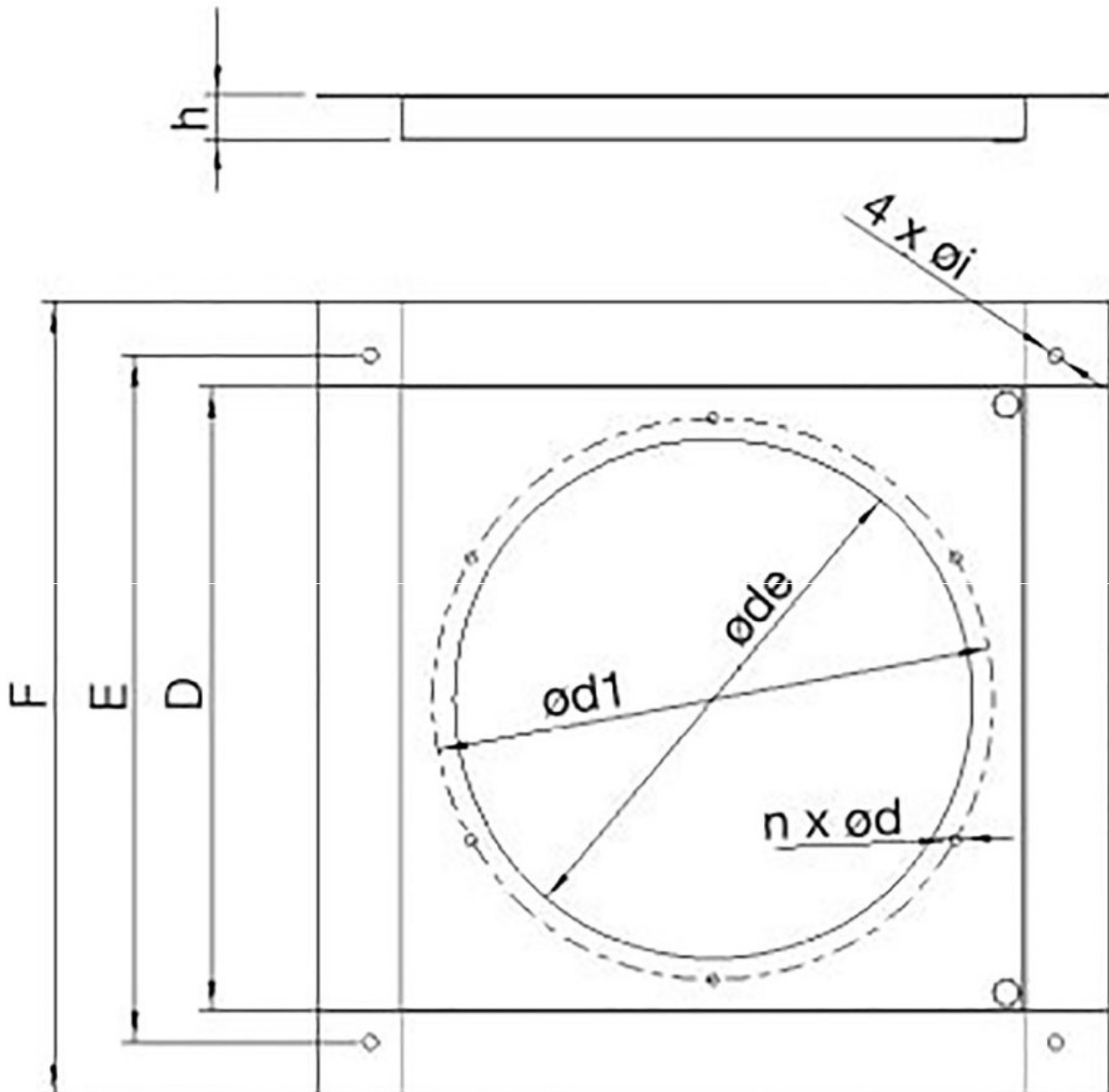
Technical parameters

Dimensions and weights

Weight

0.58 kg

Dimension



	D	E	F	h	øi	nxød	øde	ød1
TDA DV 190/225	226	245	294	19	10	6x6,5	183	213