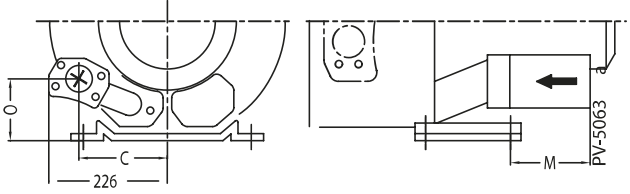
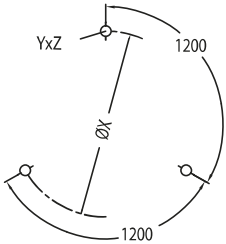
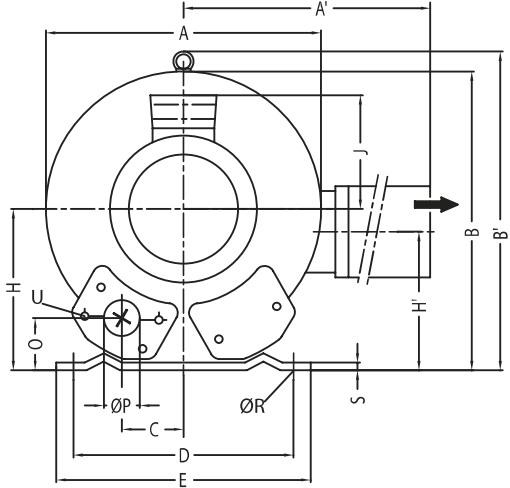
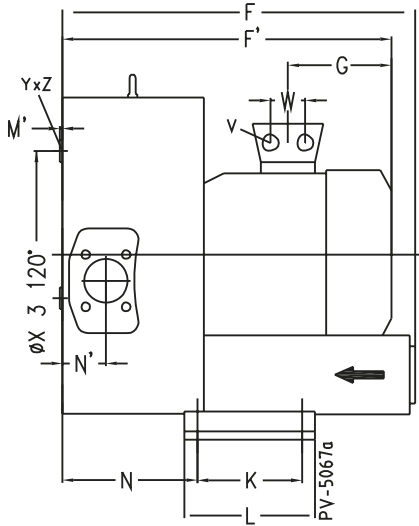




Dimensions = mm



|                 | Phase | A   | A'  | B   | B'  | C  | D   | E   | F   | F'  | G   | H   | H'  | J   | K   | L   | M | N   | N' | O   | ØP                             | ØR | S | V         | W  | ØX  | YxZ    | X-holes         |
|-----------------|-------|-----|-----|-----|-----|----|-----|-----|-----|-----|-----|-----|-----|-----|-----|-----|---|-----|----|-----|--------------------------------|----|---|-----------|----|-----|--------|-----------------|
| SC902SF5.5T-IE2 | 3~    | 500 | 549 | 490 | 509 | 76 | 356 | 394 | 545 | 589 | 226 | 240 | 199 | 167 | 170 | 217 | - | 236 | 84 | 65  | G2 <sup>3</sup> / <sub>2</sub> | 15 | 6 | 4xM32x1.5 | 42 | 286 | M12x20 | 51.4°/120°/240° |
| SC902SF7.5T-IE2 | 3~    | 500 | 549 | 490 | 509 | 76 | 356 | 394 | 545 | 589 | 226 | 240 | 199 | 167 | 170 | 217 | - | 236 | 84 | 65  | G2 <sup>3</sup> / <sub>2</sub> | 15 | 6 | 4xM32x1.5 | 42 | 286 | M12x20 | 51.4°/120°/240° |
| SC902SF11T-IE2  | 3~    | 500 | 549 | 490 | 509 | 76 | 356 | 394 | 545 | 694 | 318 | 240 | 199 | 197 | 170 | 217 | - | 212 | 84 | 105 | G2 <sup>3</sup> / <sub>2</sub> | 15 | 6 | 4xM40x1.5 | 54 | 286 | M12x20 | 51.4°/120°/240° |
| SC902SF15T-IE2  | 3~    | 500 | 549 | 490 | 509 | 76 | 356 | 394 | 545 | 694 | 318 | 240 | 199 | 197 | 170 | 217 | - | 212 | 84 | 105 | G2 <sup>3</sup> / <sub>2</sub> | 15 | 6 | 4xM40x1.5 | 54 | 286 | M12x20 | 51.4°/120°/240° |

Dimensions in mm. Tolerance on given values ±10 % - unbinding and can be changed without prior notice.