

SC631MF1.6T-IE2 - SC631MF2.2T-IE2  
 SC631MF3.0T-IE2 - SC631MF4.0T-IE2 - SC601MF2.2M



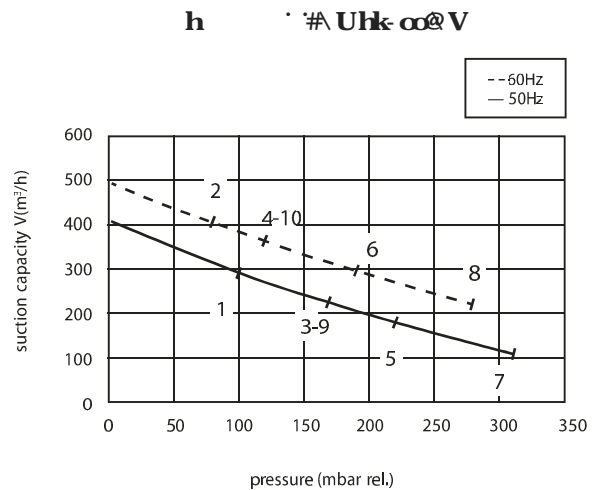
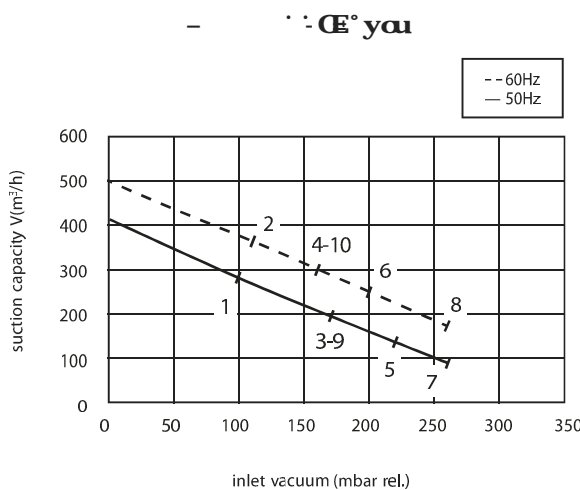
Ook leverbaar in ATEX uitvoering  
 Also available in ATEX version



De constructie van de ringventilatoren is gebaseerd op het principe van de zijkanalen. De ventilatoren kunnen zowel als afzuig- of als compressieventilator werken en zijn ontworpen voor continu gebruik. Het apparaat wordt direct op de motoras gemonteerd. Alle draaiende delen zijn dynamisch uitgebalanceerd om absolute afwezigheid van trillingen te garanderen. Volledig gegoten aluminium constructie voor maximale stevigheid en gebruiksgemak.

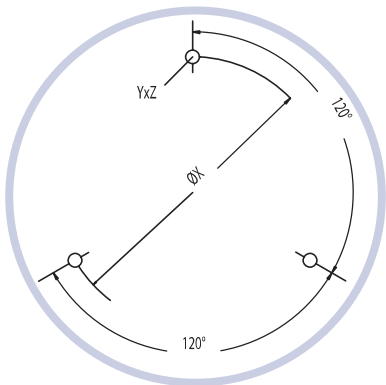
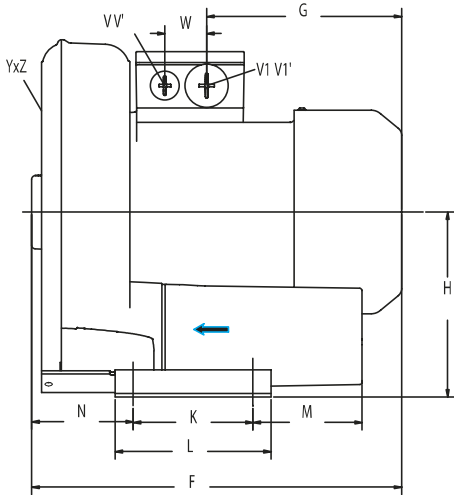
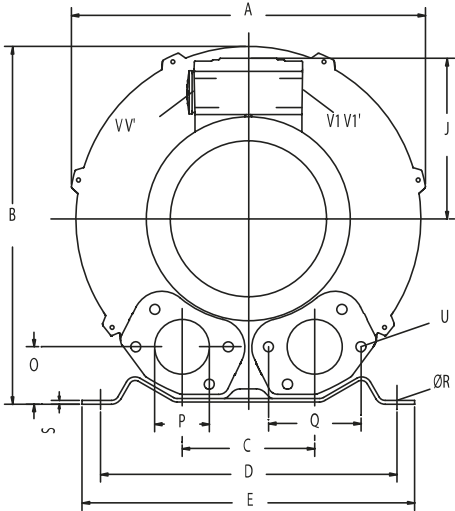
Construction of the ring blower fans is based on the lateral ducts principle. The blowers can operate as either exhaust or compression fans and are designed for continuous service. The device is assembled directly on the motor shaft. All the rotating parts are dynamically balanced to ensure absolute absence of vibration. Full die-cast aluminium construction for maximum sturdiness and ease of handling.

Curve n.	Model n.	Frequency (Hz)	Output power (kW)	Voltage (V)	Rated current (A)	Noise dB (A)	Weight (Kg)
1	SC631MF1.6T-IE2	50	1.6	230/400	6.15 Δ/3.56Y	70	29
2	SC631MF1.6T-IE2	60	2.05	260/460	6.31 Δ/3.65Y	73	29
3	SC631MF2.2T-IE2	50	2.2	230/400	8.16 Δ/4.73Y	70	32
4	SC631MF2.2T-IE2	60	2.55	260/460	7.62 Δ/4.40Y	73	32
5	SC631MF3.0T-IE2	50	3	230/400	10.7 Δ/6.2Y	70	37
6	SC631MF3.0T-IE2	60	3.45	260/460	10.1 Δ/5.8Y	73	37
7	SC631MF4.0T-IE2	50	4	400/690	8.7 Δ/5.0Y	70	43
8	SC631MF4.0T-IE2	60	4.6	460/720	7.5 Δ/4.5Y	73	43
9	SC631MF2.2M	50	2.2	230	12.8	72	29
10	SC631MF2.2M	60	2.55	230	12.8	74	29



The characteristic data given here refer to the handling of gas with inlet temperature of 15° C, normal density of 1,23 kg/m<sup>3</sup> and absolute pressure of 1.013 mbar. Tolerance of ±10%. The data may change without any notification.

Dimensions = mm



	Phase	A	B	C	D	E	F	G	H	J	K	L	M	N	O	ØP	Q	ØR	S	U	V	V'	V1	V1'	YxZ	X-holes	ØX	W
SC631MF1.6T-IE2	3	382	384	125	290	325	387	191	197	128	140	180	84	119	53	G2"	83	15	4.5	M8x17	M25x1.5	M16x1.5	-	-	M10x20	0°/120°/240°	Ø240	29
SC631MF2.2T-IE2	3	382	384	125	290	325	387	191	197	128	140	180	84	119	53	G2"	83	15	4.5	M8x17	M25x1.5	M16x1.5	-	-	M10x20	0°/120°/240°	Ø240	29
SC631MF3.0T-IE2	3	382	384	125	290	325	419	189	197	135	140	180	84	119	53	G2"	83	15	4.5	M8x17	M32x1.5	M32x1.5	M32x1.5	M32x1.5	M10x20	0°/120°/240°	Ø240	42
SC631MF4.0T-IE2	3	382	384	125	290	325	432	209	197	148	140	180	84	119	53	G2"	83	15	4.5	M8x17	M32x1.5	M32x1.5	M32x1.5	M32x1.5	M10x20	0°/120°/240°	Ø240	42
SC631MF2.2M	1	382	384	125	290	325	404	218	197	128	140	180	84	109	54	G2"	83	15	4.5	M8x17	M25x1.5	M16x1.5	M25x1.5	M16x1.5	M10x20	0°/120°/240°	Ø240	42

Dimensions in mm. Tolerance on given values ±10 % - unbinding and can be changed without prior notice.