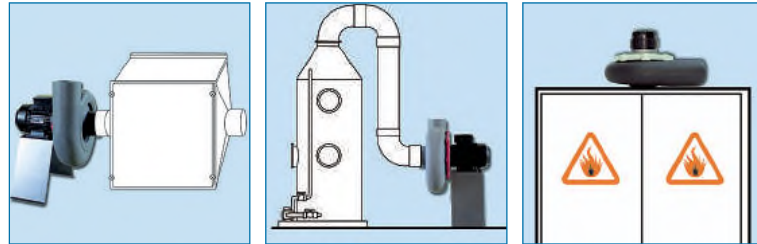


Specifications



Applications

Ventilation of safety cabinets (STORM 10), scrubbers, fume capture arms, filter housing, etc. (STORM 12, 14, 16).

Housings: PP*



Single block strong high density UV treated and recyclable polypropylene (PPH) with no air leakage. All fan mounting hardware in stainless steel. Rotatable to any of 8 standard discharge positions by 45° increments.

* with the exception of STORM 10: PE.

Wheels: PP



Forward curved centrifugal type impeller made of injection molded PPH. Fan wheel supplied with motor shaft bushing and hub cap constructed of PPH. Wheels electronically and dynamically balanced. LG/CCW rotation only.

Motors



Direct drive, asynchronous, single or three phase, IP55. Single speed: three phase 230/400V-50/60 Hz, single phase 230V-50Hz. Explosion proof motors available on request. Motor is outside the corrosive airstream. Three phase motors speed adjustable by variable frequency inverter drive. STORM 10 is also available with external rotor IP 20 motor for quiet performance.

Motor support

Several options: no stand, metal stand or polypropylene motor pedestal.



ATEX

STORM Series Fans are also available in ATEX Zone II, known outside Europe as explosion proof, category 3 G execution in accordance with ATEX directive 94/9/CE. ATEX declaration of conformity available on our web site www.seat-ventilation.com. The performances curves of explosion proof fans are identical with the ones of the standard version.

Performance

Fan performance based on tests conducted in accordance with AMCA 210-85 and ISO 5801.

Temperature resistance

PPH casing and wheel recommended up to 60°C.

Warranty

SEAT VENTILATION warrants its equipment to be free from defects in workmanship and material under normal use and service for two years after shipment. Warranty is void if damage results from improper wiring or installation.

Table of references

Single-phase series

| | Motor RPMs | Power (kW) | Voltage (V) | Intensity (A) | Weight (kg) | Part number |
|----------|------------|------------|-------------|---------------|-------------|-------------|
| STORM 10 | 1200 | 0,06 | 230 | 0,31 | 2,75 | 61102010RE |
| | 1450 | 0,09 | 230 | 0,84 | 4,17 | 61102010 |
| | 2870 | 0,12 | 230 | 0,95 | 3,8 | 61103010 |
| STORM 12 | 1450 | 0,18 | 230 | 1,4 | 7,84 | 61122010 |
| | 2870 | 0,37 | 230 | 2,52 | 7,54 | 61123010 |
| STORM 14 | 2870 | 1,1 | 230 | 6,52 | 13,73 | 61143010 |

Three-phase series

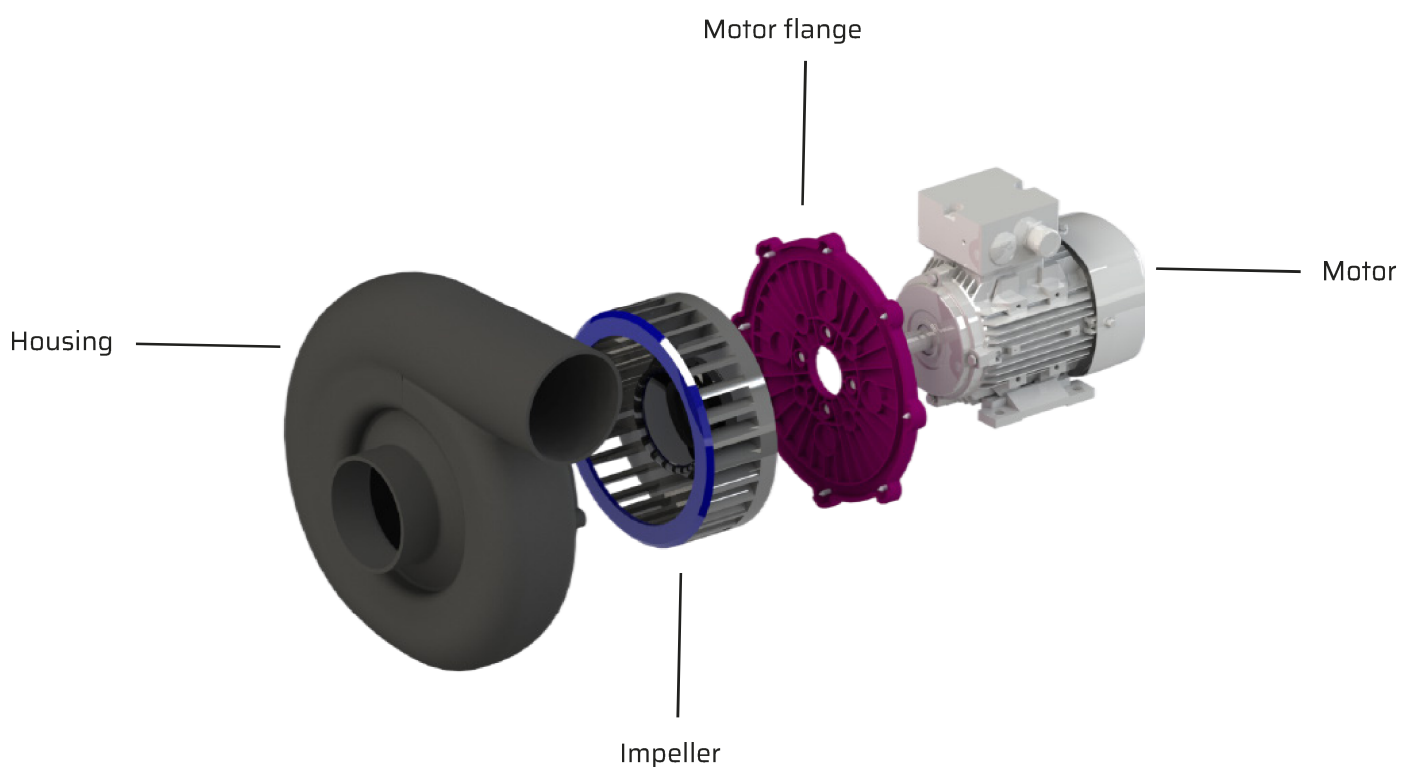
Asynchronous series

| | Motor RPMs | Power (kW) | Voltage (V) | Intensity (A) | Weight (kg) | Part number |
|----------|------------|------------|-------------|---------------|-------------|-------------|
| STORM 10 | 1450 | 0,09 | 230/400 | 0,79/0,45 | 4,17 | 61102000 |
| | 2870 | 0,12 | 230/400 | 0,63/0,36 | 4,17 | 61103000 |
| STORM 12 | 1450 | 0,18 | 230/400 | 1,09/0,63 | 7,5 | 61122000 |
| | 2870 | 0,37 | 230/400 | 1,64/0,94 | 7,54 | 61123000 |
| STORM 14 | 2870 | 1,1 | 230/400 | 4,02/2,31 | 13,3 | 61143000 |
| STORM 16 | 2870 | 2,2 | 230/400 | 7,56/4,35 | 23,2 | 61163000 |

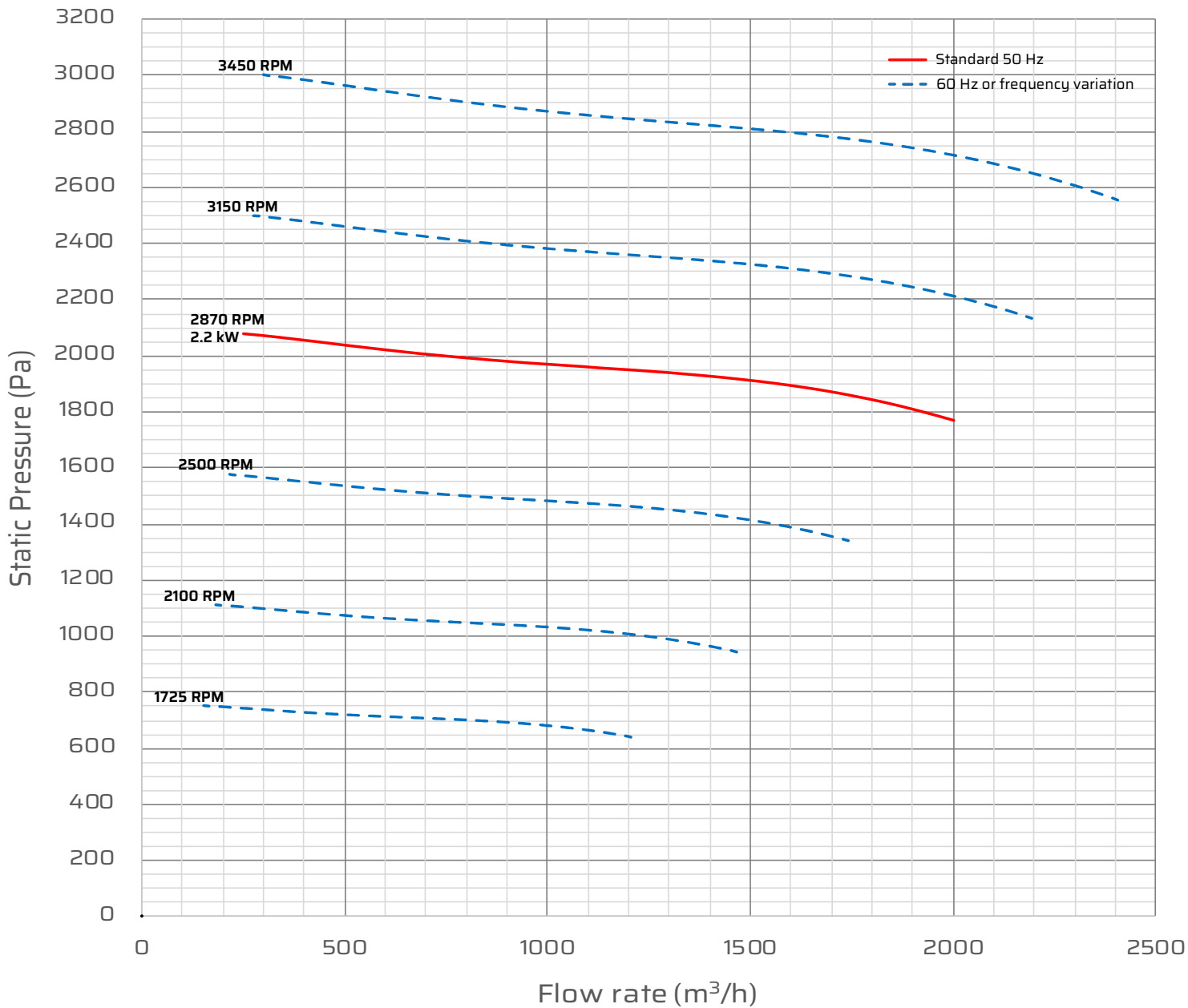
Explosion Resistant series

| | Motor RPMs | Power (kW) | Voltage (V) | Intensity (A) | Weight (kg) | Part number |
|----------|------------|------------|-------------|---------------|-------------|-------------|
| STORM 10 | 1450 | 0,06 | 230/400 | 0,59/0,34 | 6 | 61102003 |
| | 2870 | 0,09 | 230/400 | 0,69/0,4 | 6,2 | 61103003 |
| STORM 12 | 1450 | 0,18 | 230/400 | 1,13/0,65 | 12 | 61122003 |
| | 2870 | 0,37 | 230/400 | 2,1/1,2 | 9,75 | 61123003 |
| STORM 14 | 2870 | 1,1 | 230/400 | 4,5/2,6 | 13,2 | 61143003 |
| STORM 16 | 2870 | 2,2 | 230/400 | 8,7/5 | 20,2 | 61163003 |

Exploded view



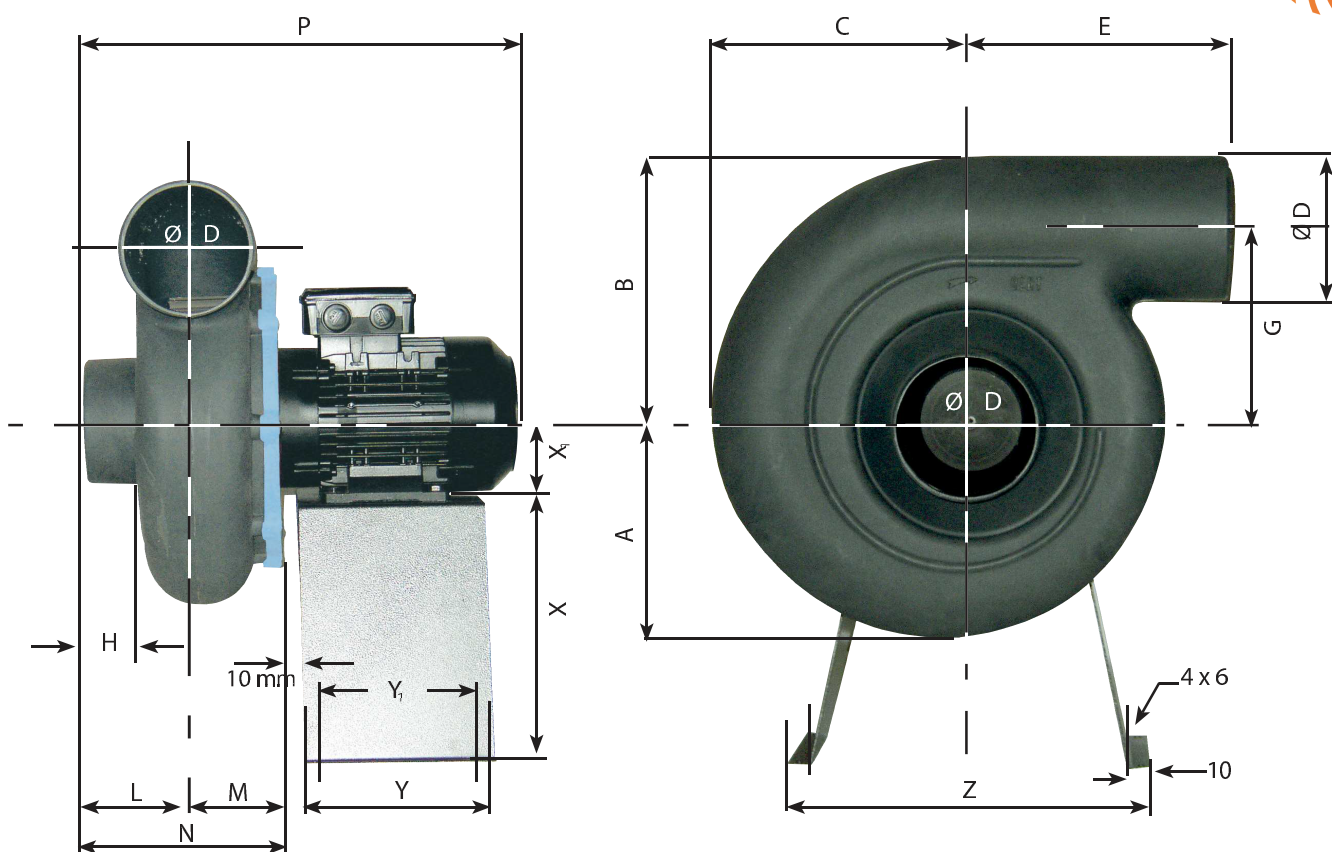
STORM 16



Inlet sound

| | Q _v | SP | L _{wA} | L _{pA} * | Octave band (Hz) | | | | | | | |
|------|----------------|------|-----------------|-------------------|------------------|-----|-----|-----|------|------|------|------|
| RPM | (m³/h) | (Pa) | dB(A) | dB(A) | 63 | 125 | 250 | 500 | 1000 | 2000 | 4000 | 8000 |
| 1725 | 514 | 711 | 82 | 62 | 95 | 86 | 83 | 78 | 76 | 73 | 69 | 66 |
| 2870 | 855 | 1970 | 93 | 73 | 106 | 97 | 94 | 89 | 87 | 84 | 80 | 77 |









* Acoustic pressure L_p at 3 meters - Outlet acoustic data available on request



LG POSITION ONLY

Available in ATEX version 

| Dimensional data (mm) | | | | | | | | | | | | | | | |
|--|-----|-----|-----|-----|-----|----|-----|----|-----|-----|-----|----------------|-----|-----|----------------|
| Metal stand is optional - Motor size may vary upon model | | | | | | | | | | | | | | | |
| A | B | C | ØD | E | G | H | L | M | N | P | Y | Y ₁ | Z | X | X ₁ |
| 235 | 288 | 278 | 160 | 262 | 205 | 40 | 100 | 97 | 197 | 477 | 240 | 160 | 420 | 300 | 90 |

| Discharge positions - View from inlet side | | | | | | | |
|---|---|---|---|---|--|---|---|
|  |  |  |  |  |  |  |  |
| LG 0 | LG 45 | LG 90 | LG 135 | LG 180 | LG 225 | LG 270 | LG 315 |