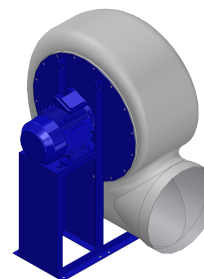


Research Data

Air-flow rate[m ³ /h]	17480
Pressure[Pa]	4919
Pressure type	Psta
Power supply	all
Density[m ³ /h]	1.205



Label

Code	KR 632 M
Voltage[V]	400
Phases	3
Current[A]	
Poles	2
Weight[kg]	210
Frequency[Hz]	50
Speed[rpm]	2850
Power[kW]	55
IP	55
INS	

Execution:

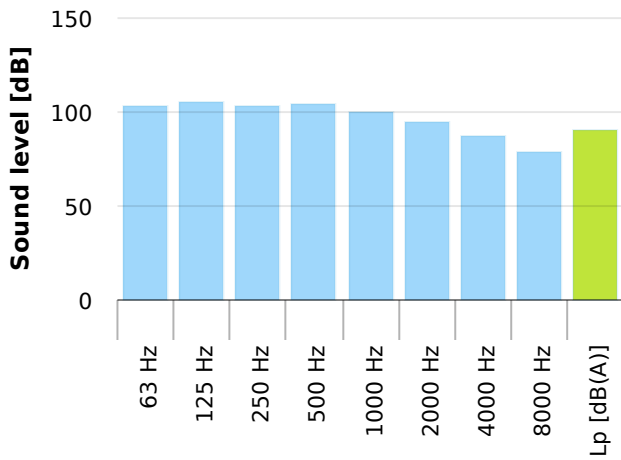
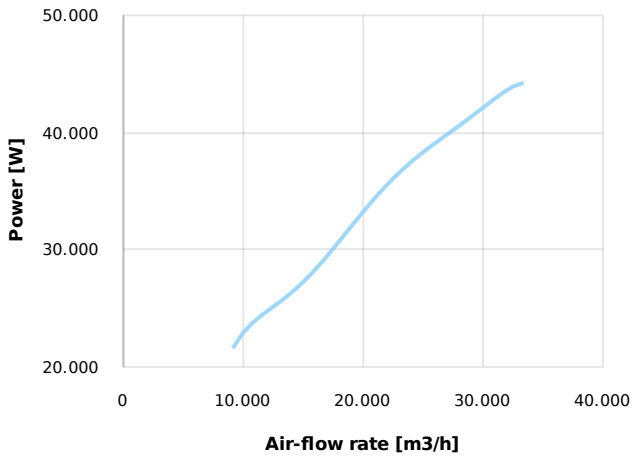
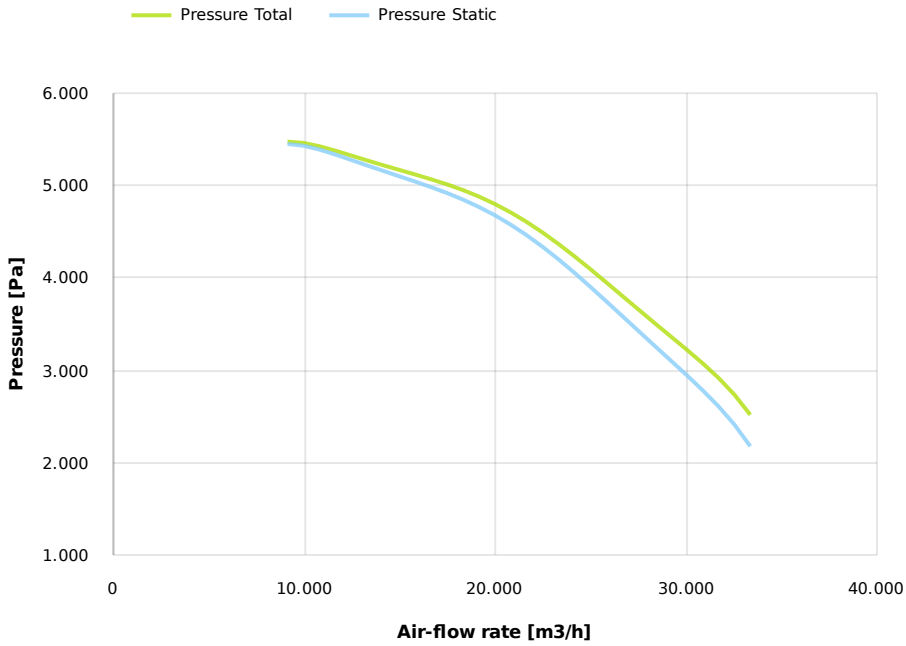
- Pe moulded housing
- INOX impeller
- epoxy painted motor support
- stainless steel screw

Table engines

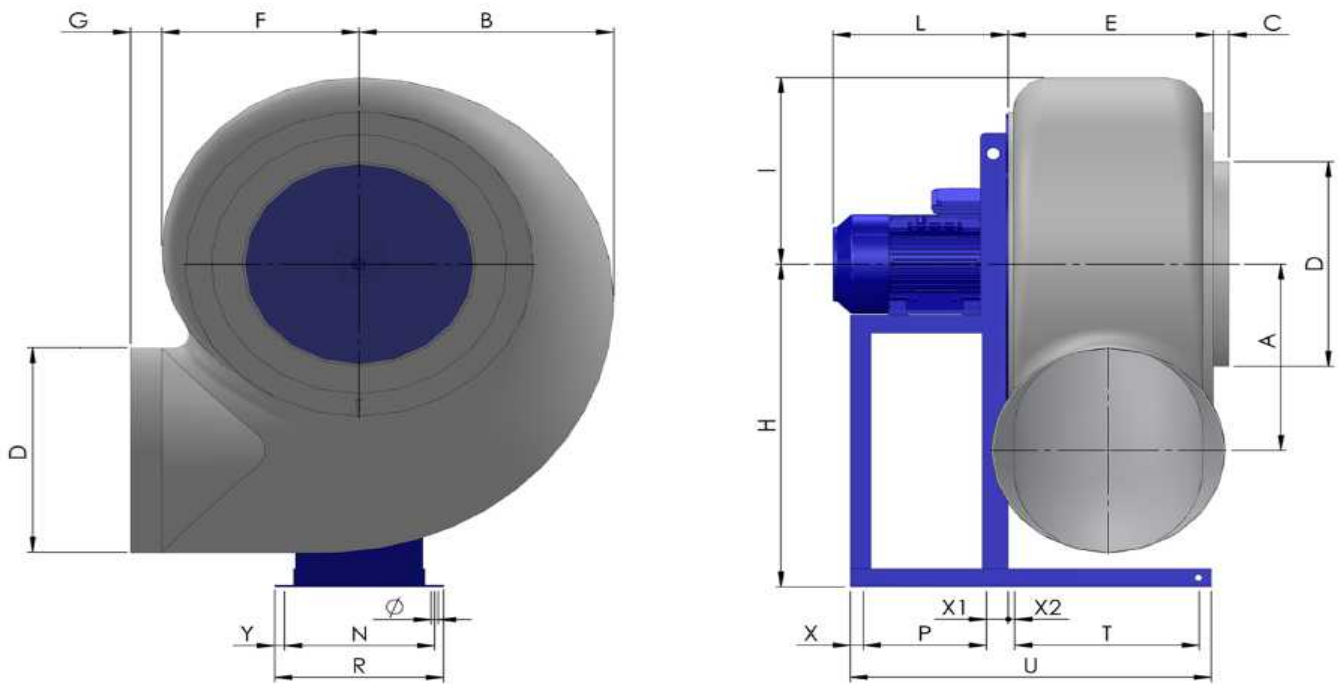
Class IE	IE3
Size	250 S/M
Power[kW]	30
Current[A]	97,8
Voltage[V]	400
Cos φ	0.86
n	0.944

Options:

- PP Housing
- INOX/Fe+ebonite impeller
- INOX motor support
- labyrinth seal
- flexible connection PVC
- exhaust cap with grid PP/PVC
- drain plug PP
- motor protection cover
- housing splinter protection PVC
- protection grid INOX
- vibration dampers
- deflector cowl PP/PVC
- gravity damper PP/PVC
- adjustable damper
- silencer PP/PVC



Dimensions



A	B	C	D	E	F	G	H	I	L	N	Ø	P	R
445	610	50	500	415	420	80	800	505	635	545	14	520	581
T	U			X	X1	X2	Y						
400	1023			25	40	15	18						

Configurations & cad

