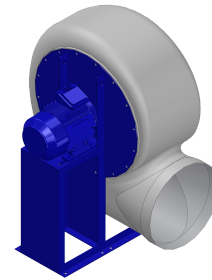


Research Data

Air-flow rate[m ³ /h]	6564
Pressure[Pa]	4302
Pressure type	Psta
Power supply	all
Density[m ³ /h]	1.205



Label

Code	KR 562 M
Voltage[V]	400
Phases	3
Current[A]	
Poles	2
Weight[kg]	230
Frequency[Hz]	50
Speed[rpm]	2850
Power[kW]	30
IP	55
INS	

Execution:

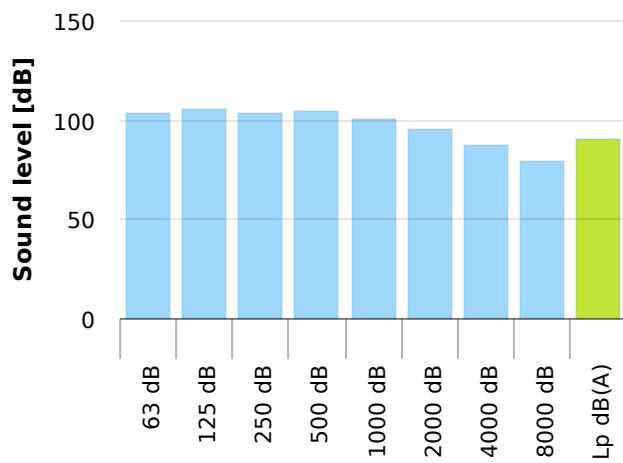
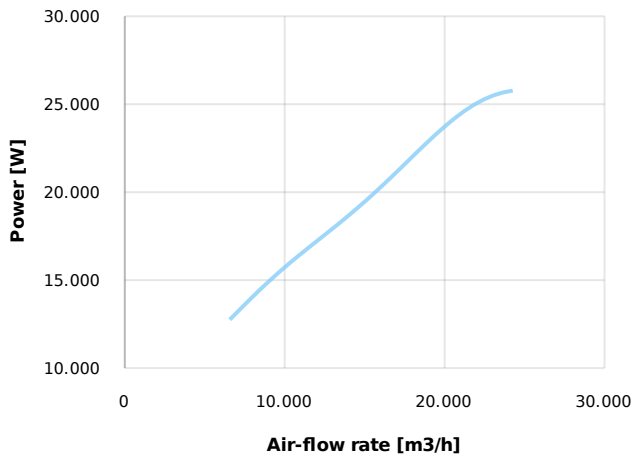
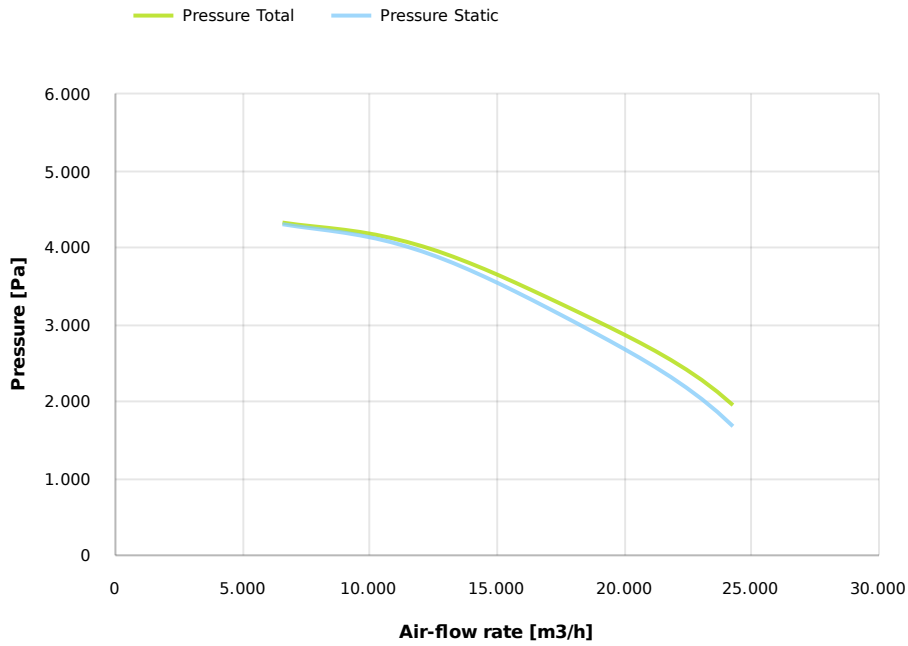
- Pe moulded housing
- INOX impeller
- epoxy painted motor support
- stainless steel screw

Table engines

Class IE	IE3
Size	200L
Power[kW]	22
Current[A]	54,5
Voltage[V]	400
Cos φ	0.85
n	0.94

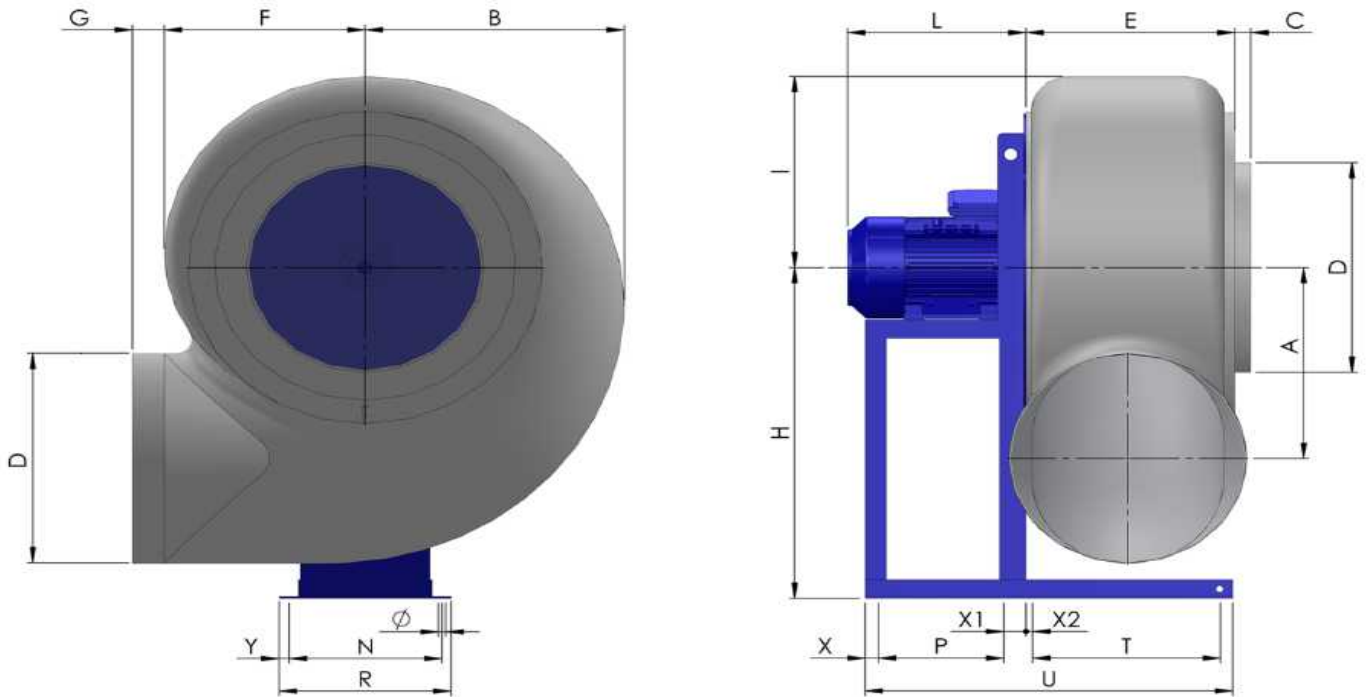
Options:

- PP Housing
- INOX/Fe+ebonite impeller
- INOX motor support
- labyrinth seal
- flexible connection PVC
- exhaust cap with grid PP/PVC
- drain plug PP
- motor protection cover
- housing splinter protection PVC
- protection grid INOX
- vibration dampers
- deflector cowl PP/PVC
- gravity damper PP/PVC
- adjustable damper
- silencer PP/PVC



M56 U

Dimensions



A	B	C	D	E	F	G	H	I	L	N	Ø	P	R
410	490	50	450	365	380	80	710	410	620	445	14	437	481
T	U		X	X1	X2	Y							
355	895		25	40	15	18							

Configurations & cad

