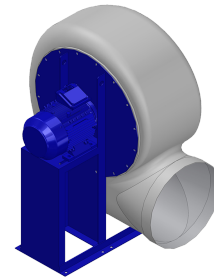


## Research Data

Air-flow rate[m <sup>3</sup> /h]	4622
Pressure[Pa]	3426
Pressure type	Psta
Power supply	all
Density[m <sup>3</sup> /h]	1.205



## Label

Code	KR 502 M
Voltage[V]	400
Phases	3
Current[A]	
Poles	2
Weight[kg]	130
Frequency[Hz]	50
Speed[rpm]	2850
Power[kW]	18.5
IP	55
INS	

## Execution:

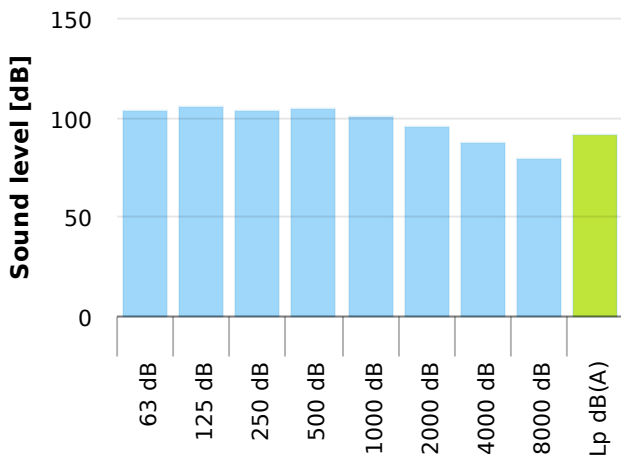
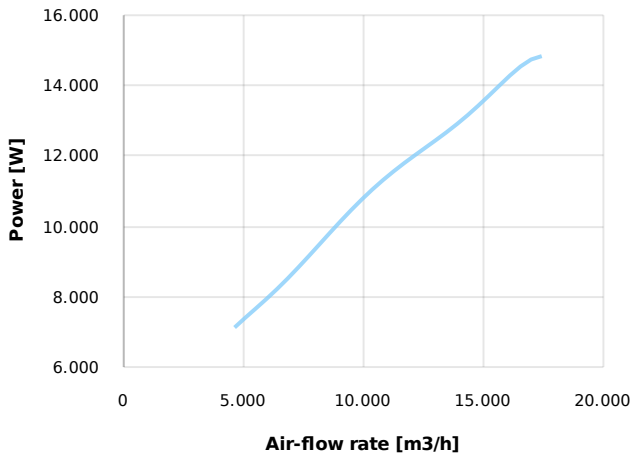
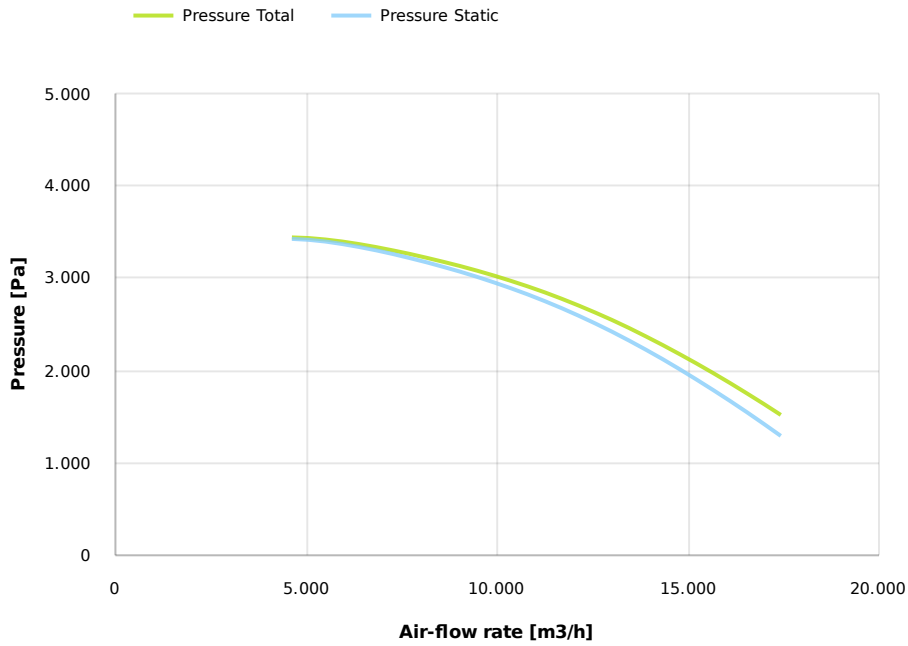
- Pe moulded housing
- INOX impeller
- epoxy painted motor support
- stainless steel screw

## Table engines

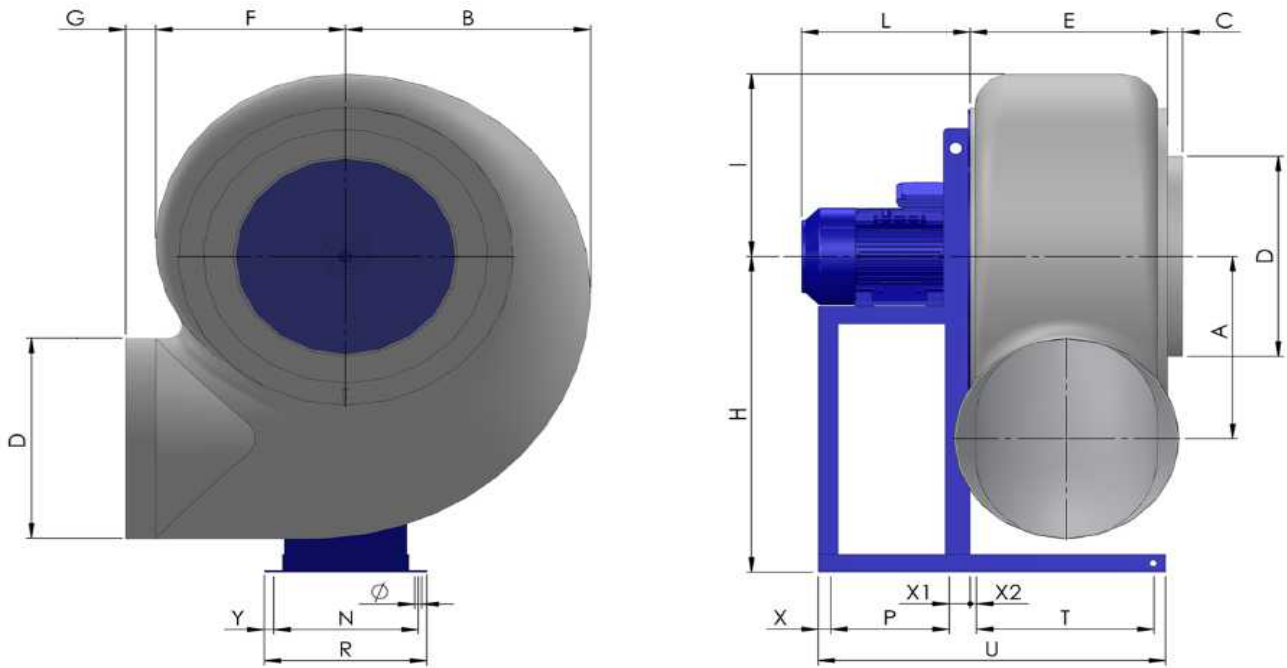
Class IE	IE3
Size	160L
Power[kW]	11
Current[A]	33,9
Voltage[V]	400
Cos $\varphi$	0.85
n	0.926

## Options:

- PP Housing
- INOX/Fe+ebonite impeller
- INOX motor support
- labyrinth seal
- flexible connection PVC
- exhaust cap with grid PP/PVC
- drain plug PP
- motor protection cover
- housing splinter protection PVC
- protection grid INOX
- vibration dampers
- deflector cowl PP/PVC
- gravity damper PP/PVC
- adjustable damper
- silencer PP/PVC



## Dimensions



A	B	C	D	E	F	G	H	I	L	N	Ø	P	R
360	460	50	400	355	355	80	630	395	550	385	14	345	420
T	U		X	X1	X2	Y							
335	783		25	30	15	18							

## Configurations & cad

