

Research Data

Air-flow rate[m ³ /h]	6883
Pressure[Pa]	2454
Pressure type	Psta
Power supply	all
Density[m ³ /h]	1.205

Label

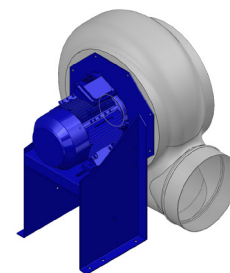
Code	KR 452 M
Voltage[V]	400
Phases	3
Current[A]	
Poles	2
Weight[kg]	72
Frequency[Hz]	50
Speed[rpm]	2850
Power[kW]	9.2
IP	55
INS	

Table engines

Class IE	IE3
Size	132S
Power[kW]	9.2
Current[A]	14.14
Voltage[V]	400
Cos φ	0.85
n	0.90

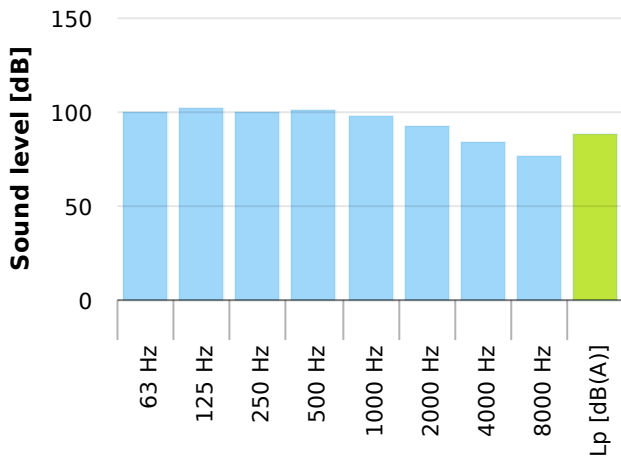
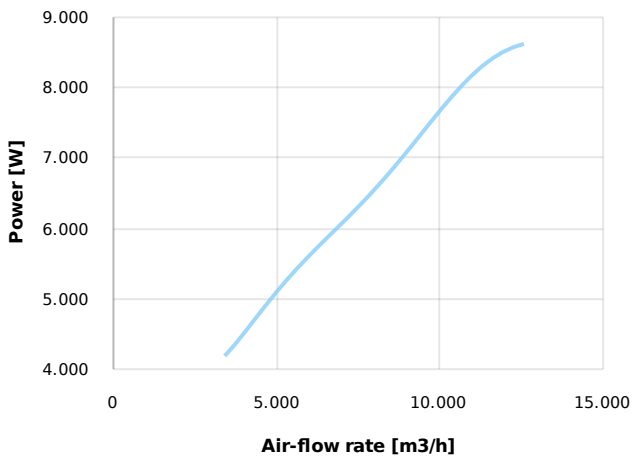
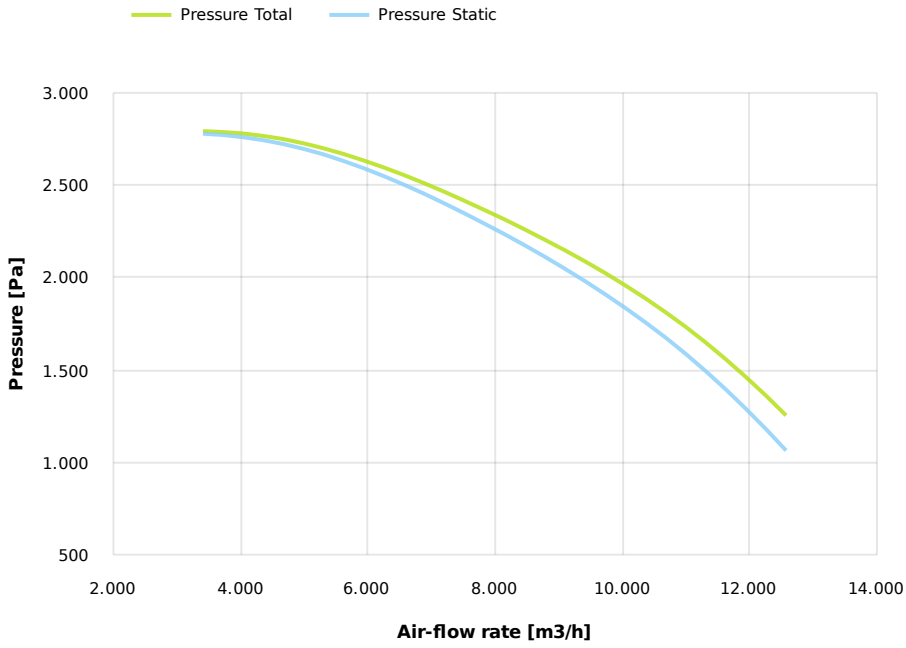
Options:

- PP Housing
- INOX/Fe+ebonite impeller
- INOX motor support
- labyrinth seal
- flexible connection PVC
- exhaust cap with grid PP/PVC
- drain plug PP
- motor protection cover
- housing splinter protection PVC
- protection grid INOX
- vibration dampers
- deflector cowl PP/PVC
- gravity damper PP/PVC
- adjustable damper
- silencer PP/PVC

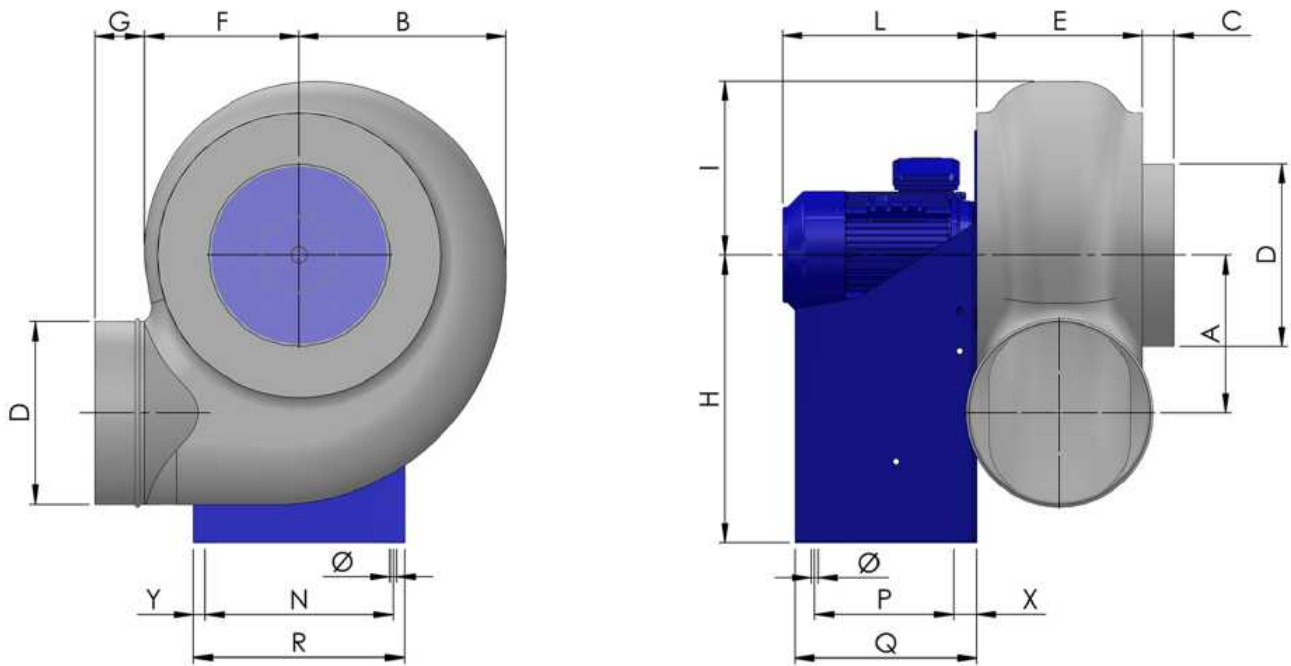


Execution:

- Pe moulded housing
- PP impeller
- epoxy painted motor support
- stainless steel screw



Dimensions



A	B	C	D	E	F	G	H	I	L	N	Ø	P	Q	
324	400	40	355	287	295	55	550	330	415	370	11	270	340	
				R					X					
				410					40					
											Y			
											20			

Configurations & cad

