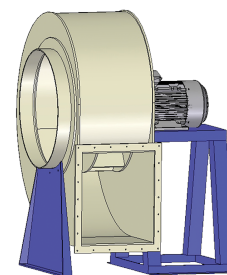


Research Data

Air-flow rate[m ³ /h]	35243
Pressure[Pa]	1390
Pressure type	Psta
Power supply	all
Density[m ³ /h]	1.205



Label

Code	KR 1258 W
Voltage[V]	400
Phases	3
Current[A]	
Poles	8
Weight[kg]	1540
Frequency[Hz]	50
Speed[rpm]	750
Power[kW]	30
IP	55
INS	

Execution:

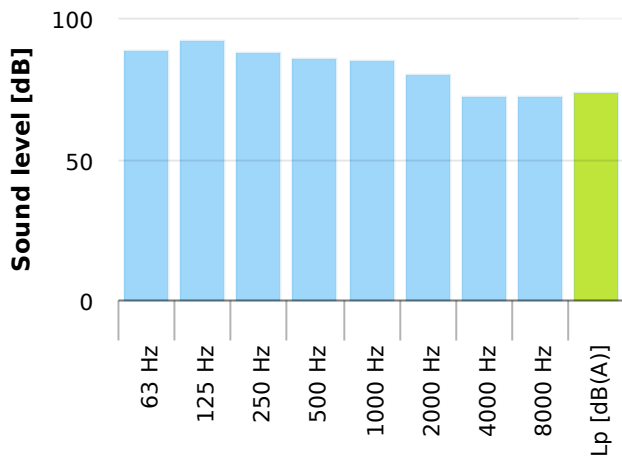
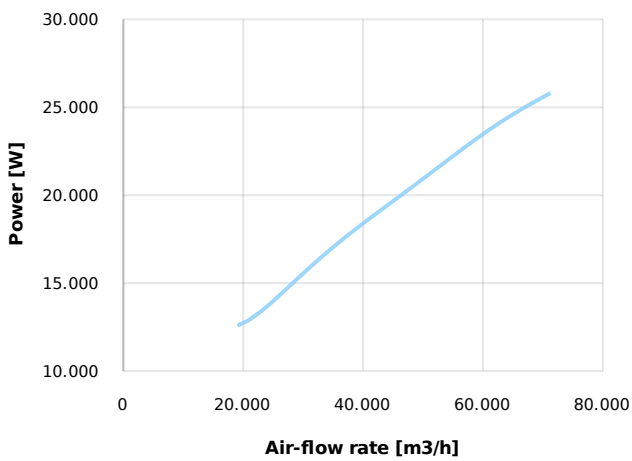
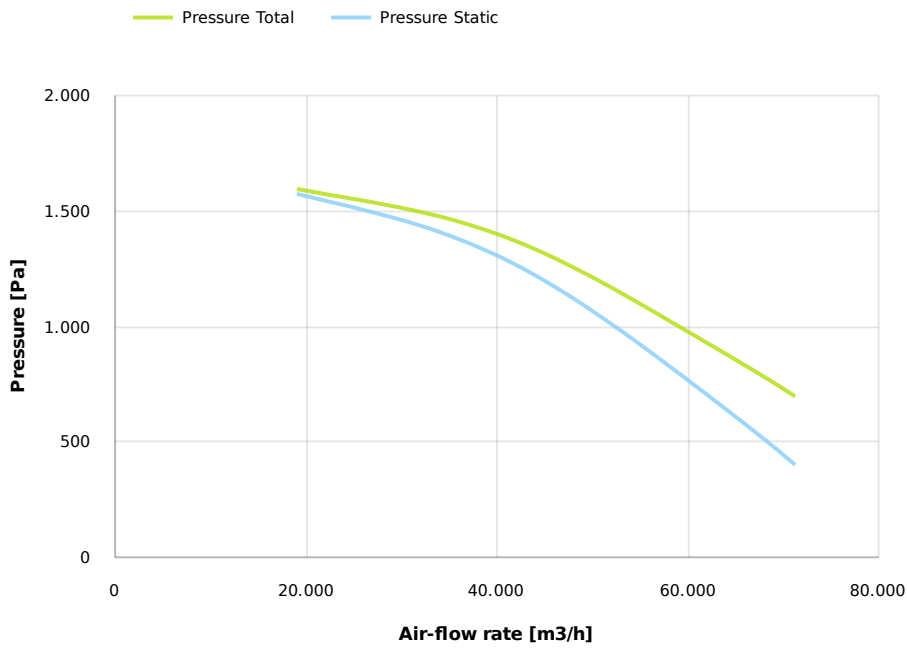
- Pe welded housing
- INOX impeller
- epoxy painted motor support
- stainless steel screw

Table engines

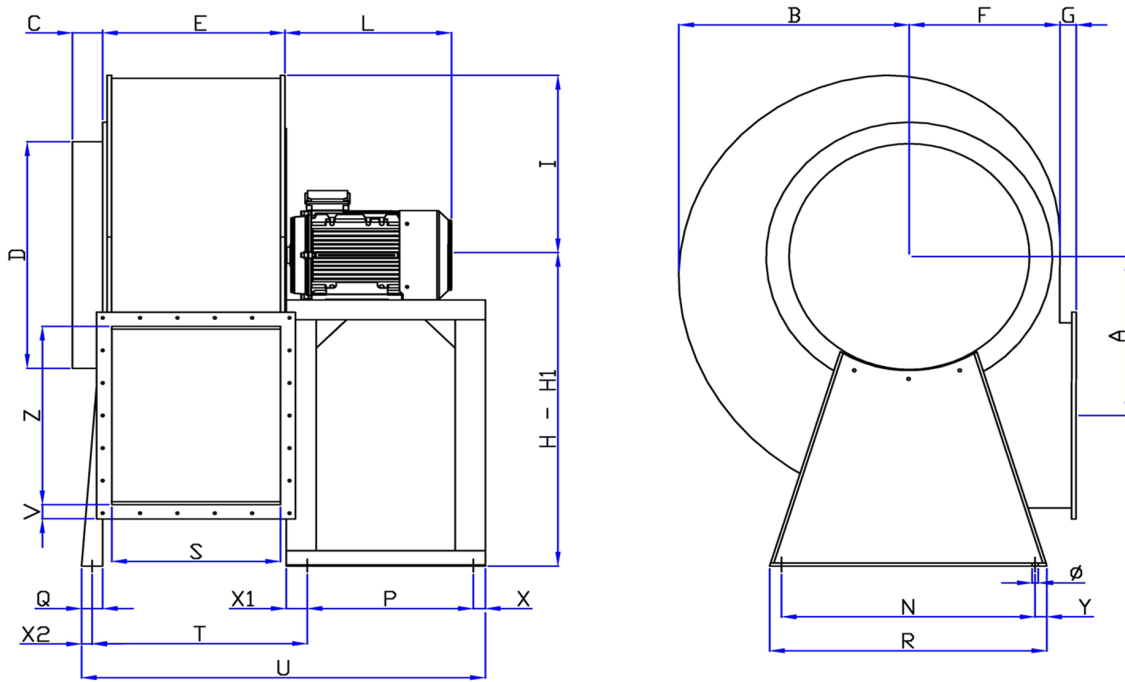
Class IE	IE1
Size	250M
Power[kW]	30
Current[A]	60.2
Voltage[V]	400
Cos φ	0.79
n	0.91

Options:

- PP Housing
- INOX/Fe+ebonite impeller
- INOX motor support
- labyrinth seal
- flexible connection PVC
- exhaust cap with grid PP/PVC
- drain plug PP
- motor protection cover
- housing splinter protection PVC
- protection grid INOX
- vibration dampers
- deflector cowl PP/PVC
- gravity damper PP/PVC
- adjustable damper
- silencer PP/PVC



Dimensions



A	B	C	D	E	F	G	H	H1	I	L	N	Ø	P
920	1210	150	1250	970	840	100	1500	1200	1020	770	1350	24	760
Q	R	S	T	U	V	X	X1	X2	Y	Z			
60	1428	900	1050	1888	80	40	60	30	40	1000			

Configurations & cad

