

Technical parameters

Unit name: AmberAir Compact 1-CXP CD50 LF1B1W1C1P
 Art.no: AHU000022

Date: 2020-06-02
 Order number



Air flow [l/s]

Air flow [l/s]

Pressure [Pa]

Pressure [Pa]

Air flow [m3/h]

Air flow [m3/h]

Technical parameters

| | | | |
|------------------------|----------------|--------|----------------|
| Heater | Phases/Voltage | - | - |
| Fans | Phases/Voltage | 1 | 230/50 |
| supply | -Power/Current | [kW/A] | 0.38/2.5 |
| exhaust | -Power/Current | [kW/A] | 0.38/2.5 |
| Motor protection class | | | IP-54 |
| Thermal efficiency | | | 91.2% |
| Max power consumption | | [kW/A] | 0.78/29.00 |
| Filter class | -supply | | ePM1 70% (F7) |
| | -exhaust | | ePM10 55% (M5) |
| Thermal insulation | | [mm] | 50 |
| Weight | | [kg] | 215.5 |

Climate data

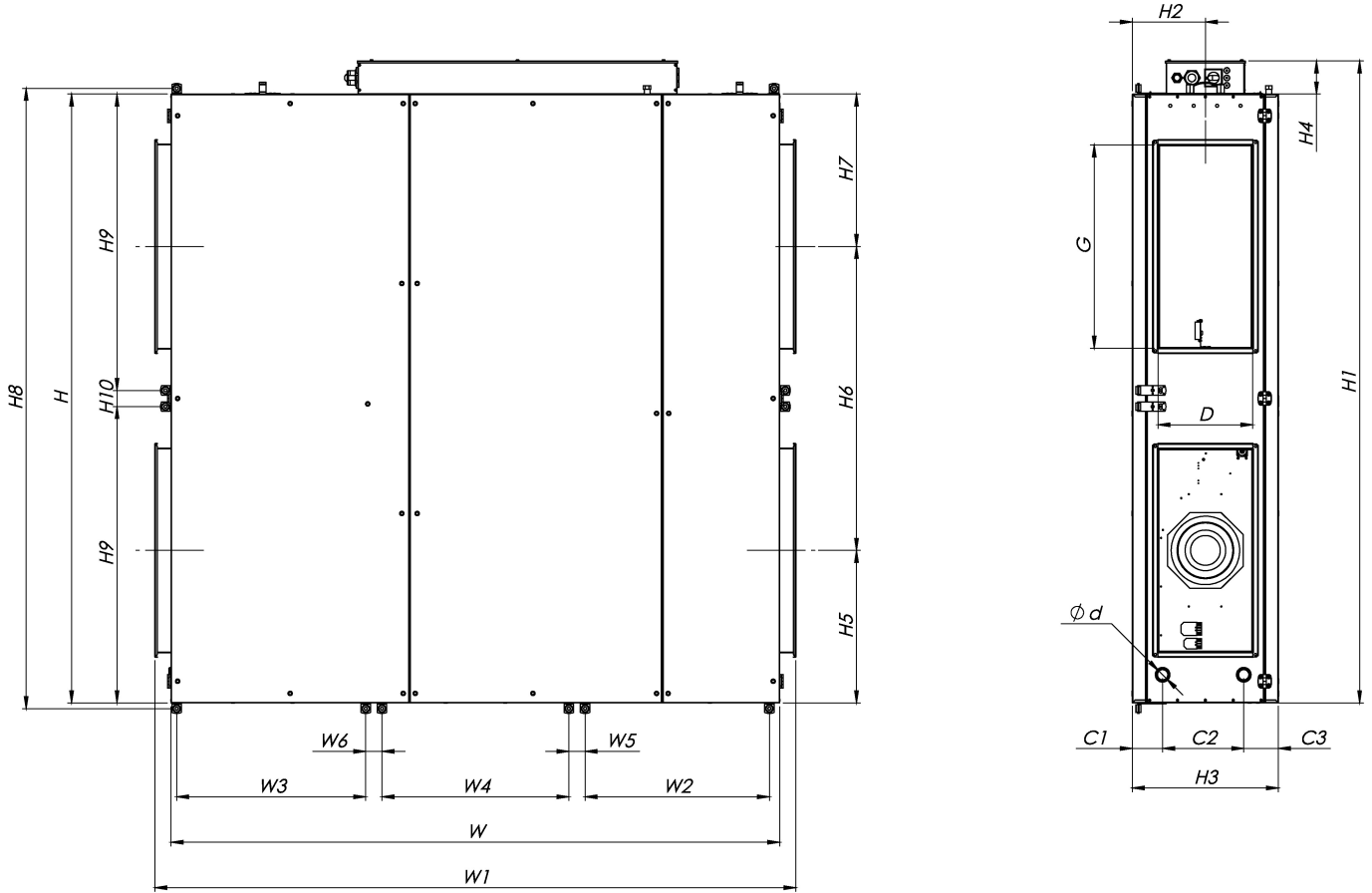
| | Winter | Summer |
|-------------------------------|--------|--------|
| Air flow | -23°C | 32°C |
| Fresh air relative humidity | 90 % | 60 % |
| Extract air temperature | 20°C | 20°C |
| Extract air relative humidity | 60 % | 60 % |

Technical parameters

Unit name: AmberAir Compact 1-CXP CD50 LF1B1W1C1P
 Art.no: AHU000022

Date: 2020-06-02
 Order number

Dimensions



| G | D | H | W | H1 | H2 | H3 | H4 | H5 | H6 | H7 | H8 | H9 | H10 | W1 | W2 | W3 | W4 | W5 | W6 | Ød | C1 | C2 | C3 |
|-----|-----|------|------|------|-----|-------|-----|-----|-----|-----|------|----|-----|------|-----|-----|----|----|----|----|-------|-------|-----|
| 500 | 250 | 1397 | 1750 | 1534 | 213 | 426.3 | 137 | 498 | 851 | 448 | 1439 | - | - | 1852 | 195 | 195 | - | - | - | 46 | 121.4 | 166.7 | 138 |