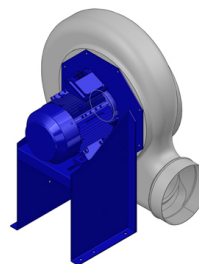


Research Data

Air-flow rate[m ³ /h]	2765
Pressure[Pa]	2564
Pressure type	Psta
Power supply	all
Density[m ³ /h]	1.205



Pe moulded housing - PP impeller - Epoxy painted motor support - Stainless steel screws

Label

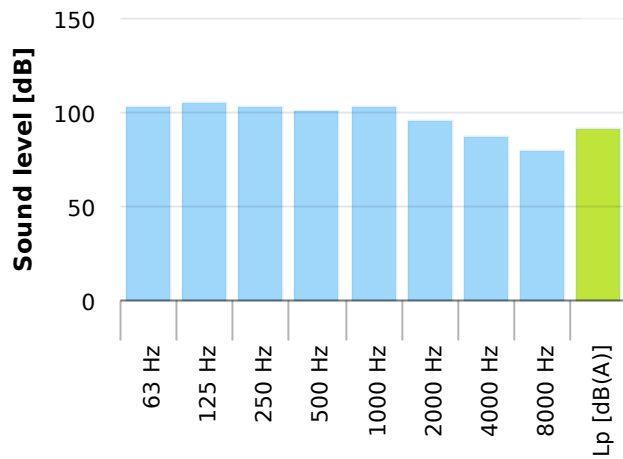
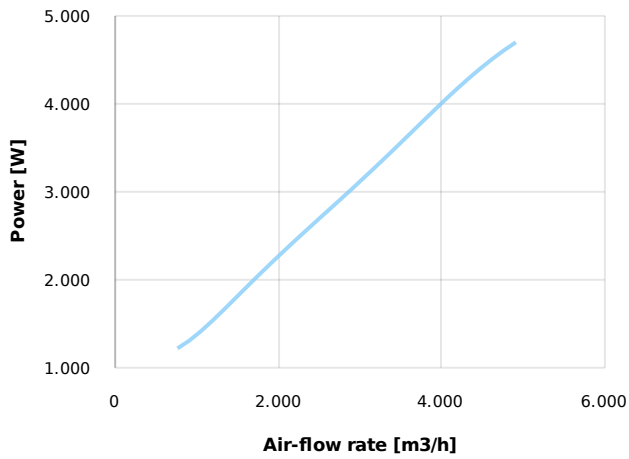
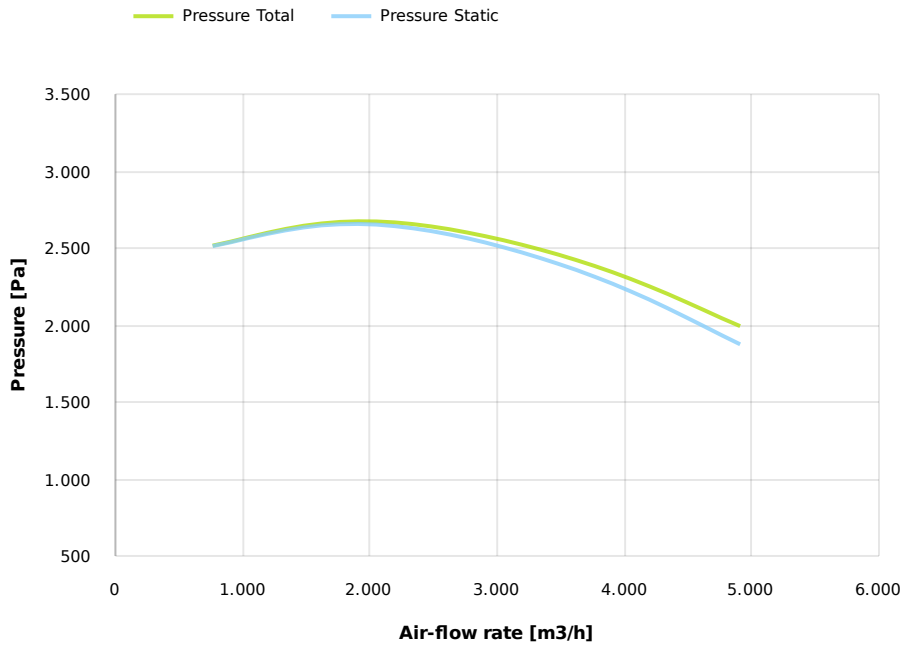
Code	KC 402 M
Voltage[V]	400
Phases	3
Current[A]	
Poles	2
Weight[kg]	47
Frequency[Hz]	50
Speed[rpm]	2850
Power[kW]	4
IP	55
INS	

Table engines

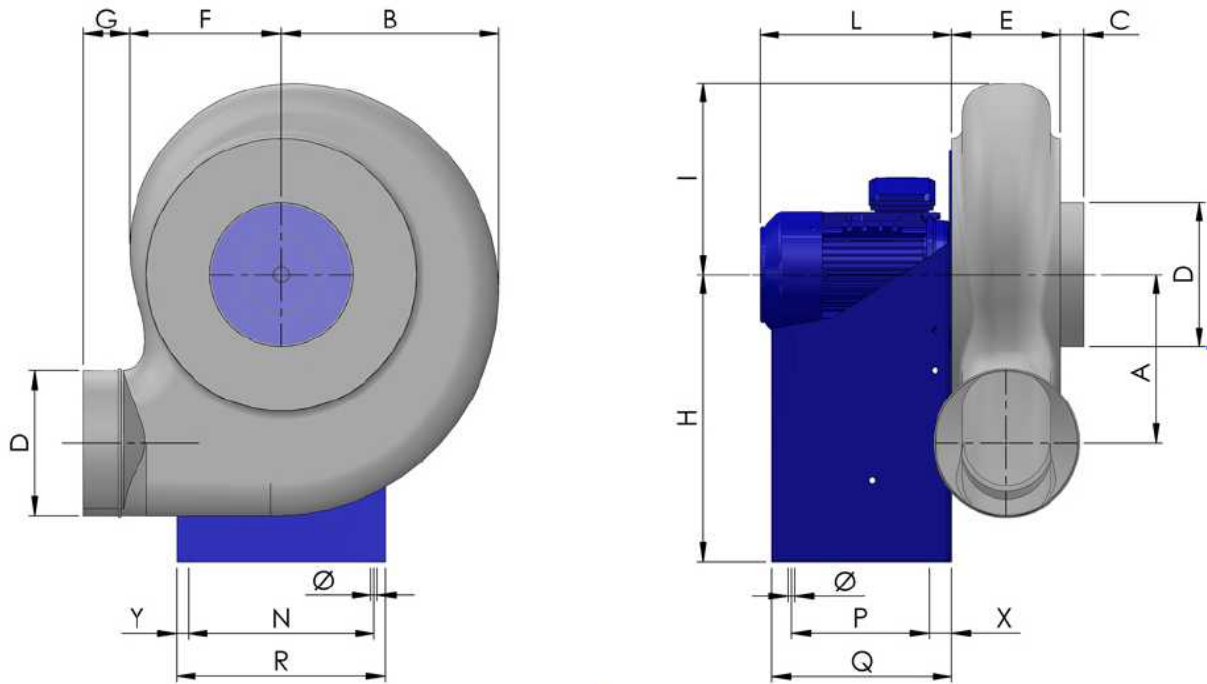
Class IE	IE1	IE2	IE3
Size	112M	112M	112M
Power[kW]	4	4	4
Current[A]	7.88	7.73	7.3
Voltage[V]	400	400	400
Cos φ	0.87	0.87	0.9
n	0.842	0.858	0.881

Options:

- PP Housing
- INOX/Fe+ebonite impeller
- INOX motor support
- labyrinth seal
- flexible connection PVC
- exhaust cap with grid PP/PVC
- drain plug PP
- motor protection cover
- housing splinter protection PVC
- protection grid INOX
- vibration dampers
- deflector cowl PP/PVC
- gravity damper PP/PV
- adjustable damper
- silencer PP/PVC



Dimensions



A	B	C	D	E	F	G	H	I	L	N	Ø	P	Q	
290	380	40	250	194	265	80	495	330	325	330	11	270	315	
				R					X					Y
				365					40					20

Configurations & cad

