

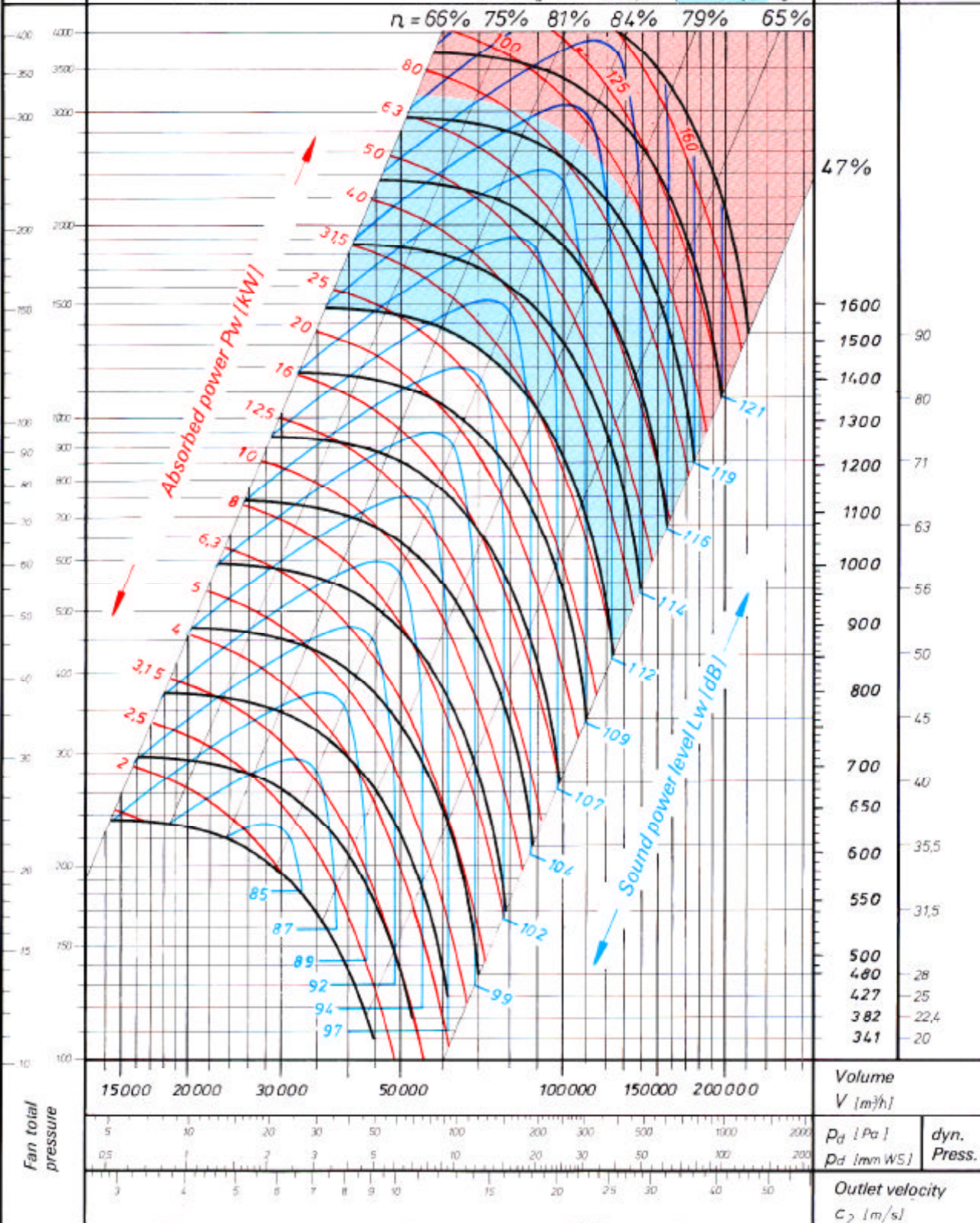
Radial Fan

backward curved double inlet

T-HLZ 1120
HLZ 1120



	T-HLZ	HLZ
Max. speed	$n_{max} = 850$ min^{-1}	1250 min^{-1}
Max. shaft power	$P_{wmax} = 35$ kW	105 kW
Max. total pressure	$\Delta p_t = 1500$ Pa	3200 Pa
Number of blades	$z = 8$	8
Mass moment of inertia	$J_{(J = \frac{m r^2}{2})} = 38,3$ kgm^2	61,8 kgm^2



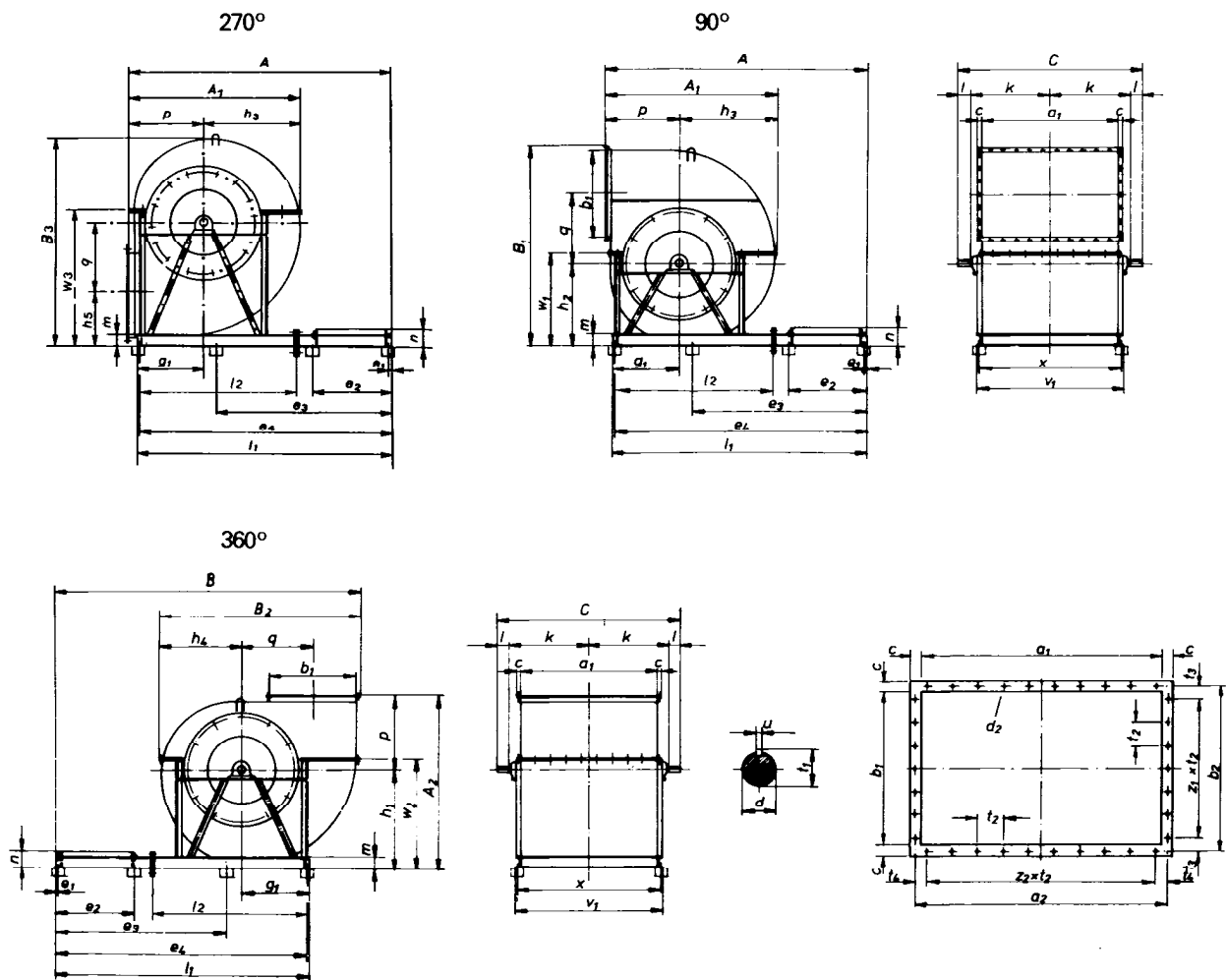
Radial Fans

HLZ 1120 ÷ 1250

Dimensions and technical details

Drawing

6.8



The same words.
See drawing 6.7.

HLZ	A	A ₁	A ₂	a ₁	a ₂	B	B ₁	B ₂	B ₃	b ₁	b ₂	C	c	d	d ₂
1120	2860	1785	1805	1421	1465	3360	2106,5	2100	2120	898	942	1987	40	75	11,5
1250	3075	2000	2015	1593	1653	3630	2351	2345	2360	1007	1067	2170	50	75	15

HLZ	e ₁	e ₂	e ₃	e ₄	g ₁	h ₁	h ₂	h ₃	h ₄	h ₅	k	l	l ₁	l ₂	m
1120	25	920	1890	2785	703	1050	860	1033	850	532,5	853,5	140	2810	1810	120
1250	30	925	2045	2970	770	1170	954	1155	945	590	945	140	3000	2000	140

HLZ	n	p	q	t ₁	t ₂	t ₃	t ₄	u	v ₁	w ₁	w ₂	w ₃	x	z ₁ x t ₂	z ₂ x t ₂
1120	195	753	757,5	79,5	125	33,5	45	20	1531	880	1171	1270	1481	7 x 125	11 x 125
1250	215	845	844	79,5	160	53,5	106,5	20	1713	1015	1270	1373	1653	6 x 160	9 x 160

subject to change

Radial Fans

TLZ, T-HLZ and HLZ
Weights

Table 6.10

Fan and accessories weights (in Kg)

Size	TLZ	TLZ...T	T-HLZ	T-HLZ...T	HLZ	Inlet vane control	Feet	Frame	Outlet flange
160	5.1						0.5		0.66
180	6.0		6.3				0.5		0.72
200	7.2		7.2				0.8	2.0	0.80
225	8.5		8.2				0.8	2.1	0.88
250	10.8		10.2				0.8	2.4	0.97
280	14.5		14.2				1.0	3.2	1.07
315	20.0		19.4			12	1.0	3.7	1.20
355	26.5		26.3			14	2.0	7.0	1.35
400	32.0		31.5		58	18	2.0	7.6	1.50
450	42.0		41.2		76	21	3.7	8.5	1.70
500	56.0		66.3		88	23	3.7	9.5	1.90
560	76.0		90.0		155	24	7.5	15.8	2.00
630	96.0		111.0		182	30	7.5	17.9	2.30
710	125.0	190	145.0	208	245	35	11.0		2.60
800		230		249	297	40			2.90
900		288		321	392	46			3.90
1000		333		380	459	55			4.40
1120				835	115				
1250				1015	1280				

subject to change