

## TDA DV 310/311 Adapter

Framework f. mounting of accessories, for air handling units

Adapter framework for mounting of accessories.  
Adapter framework TDA for mounting into roof socket.  
The adapter framework consists of galvanized steel.



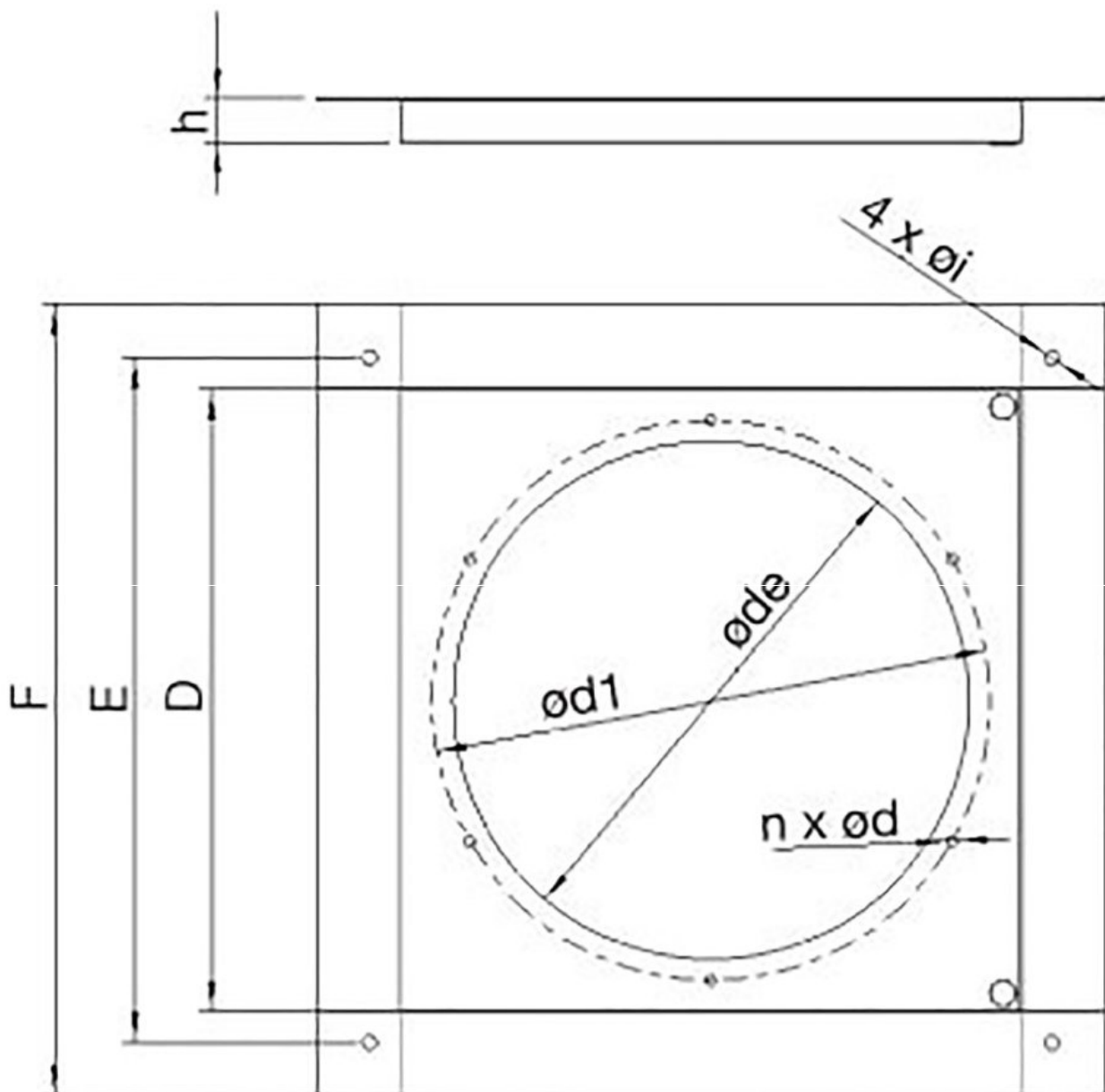
### Technical parameters

#### Dimensions and weights

Weight

0.7 kg

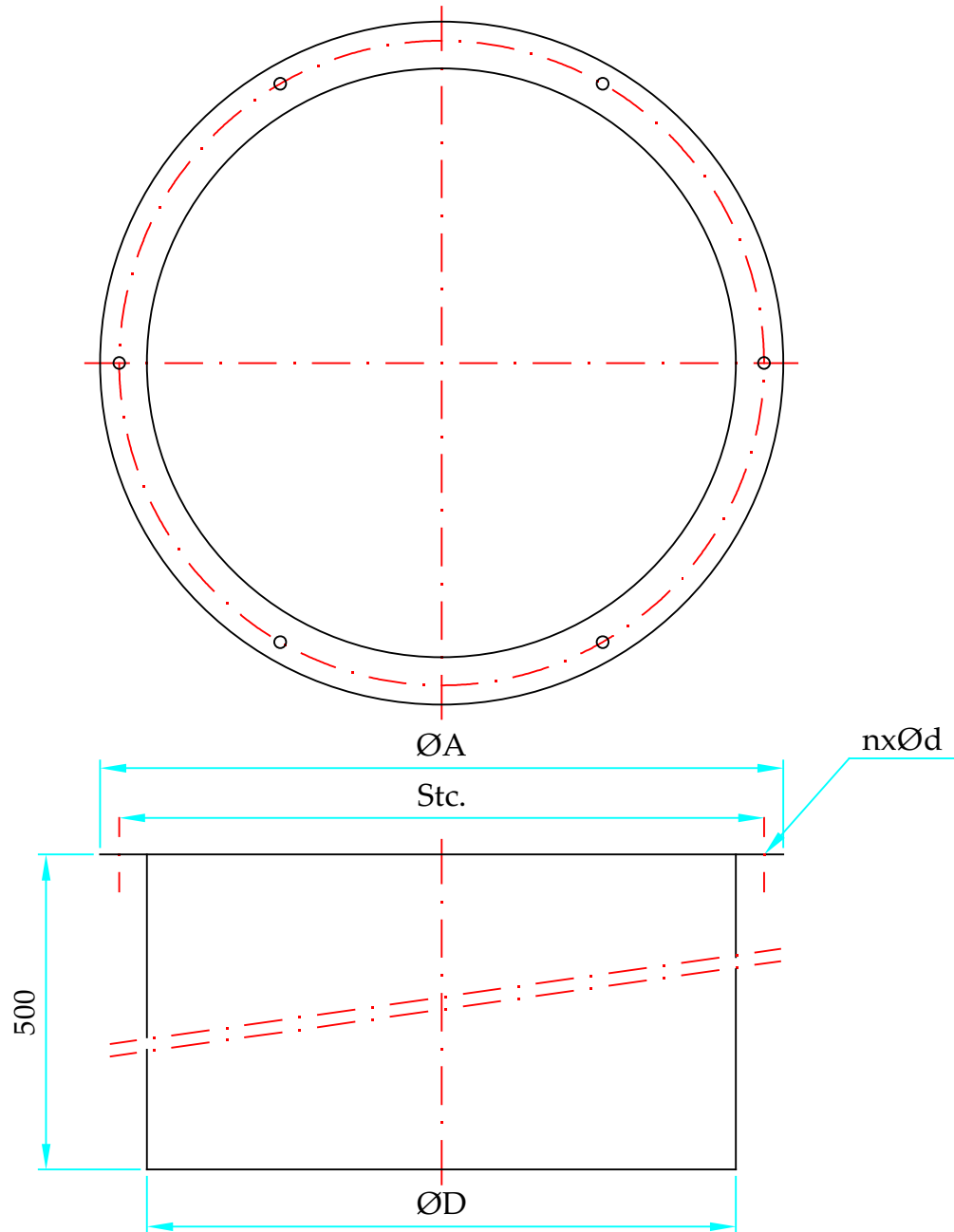
### Dimension



	D	E	F	h	$\varnothing_i$	$n \times \varnothing_d$	$\varnothing_{de}$	$\varnothing_{d1}$
TDA DV 310/311	300	330	373	19	10	6x6,5	256	285

# Dakdoorvoerkoker

DDR, Rond  
Verzinkt plaatstaal



type	ØA	Stc.	nxØd	ØD
190/225	Ø235	Ø213	6xØ7	Ø180
310	Ø306	Ø286	6xØ7	Ø250
355/400	Ø464	Ø438	6xØ9	Ø400
450/500	Ø464	Ø438	6xØ9	Ø400
560/630	Ø639	Ø605	8xØ11	Ø560