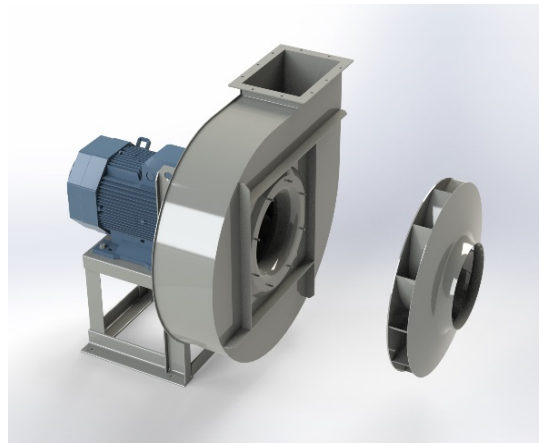


APRH 712B



Centrifugal fan model APRH, Es.4

Single inlet fan, direct driven with an IEC-standard motor in form B3 which is mounted on a motorbase. This series of high-pressure fans is characterized by a high efficiency with electricity saving by installing a special impeller with backward curved blades. The robust industrial fan is totally made of steel and painted in the agate gray RAL 7037. The fan is suitable for the transportation of clean and slightly dusty air.

General data:

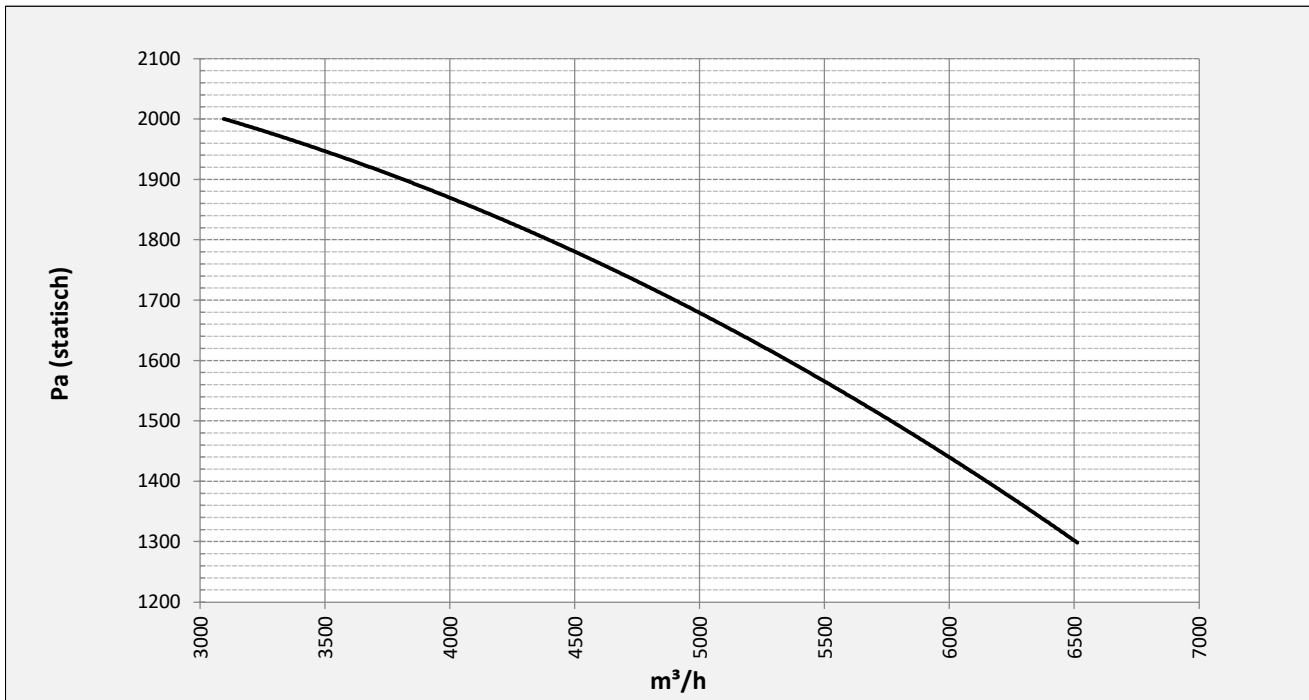
Drive	direct
Motor position	horizontal
Material casing/base	Steel
Material impeller/hub	Steel
Motorcoating/protection	RAL 7037
Operating temperature (max.)	15 (80) °C
Medium density (altitude 0 m)	1,226 kg/m ³
Impeller speed	1450 rpm
Weight	238 kg
Sound pressure level ±3	76 dB(A)

(at 1,5 m near the fan with inlet and outlet ducted, in free field)

Electric motor:

	112M	IEC
Power	4	kW
Motor speed	1.450	rpm
Electric supply	3x400V50Hz	V/Hz
Full load current	8,03	A
Enclosure	55	IP
Shape	B3T	
Efficiency class	IE3	

Curve APRF 1121D @ 1470rpm @ 15°C @ 0m



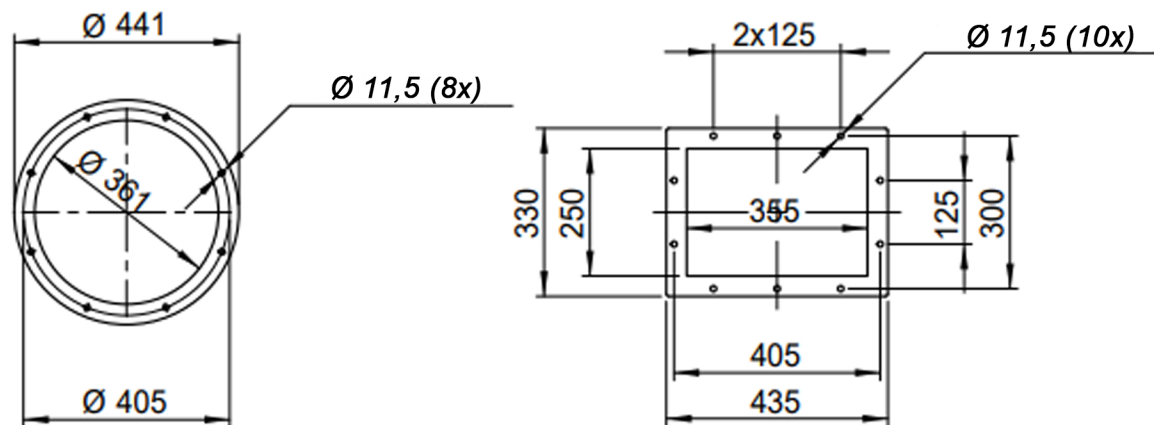
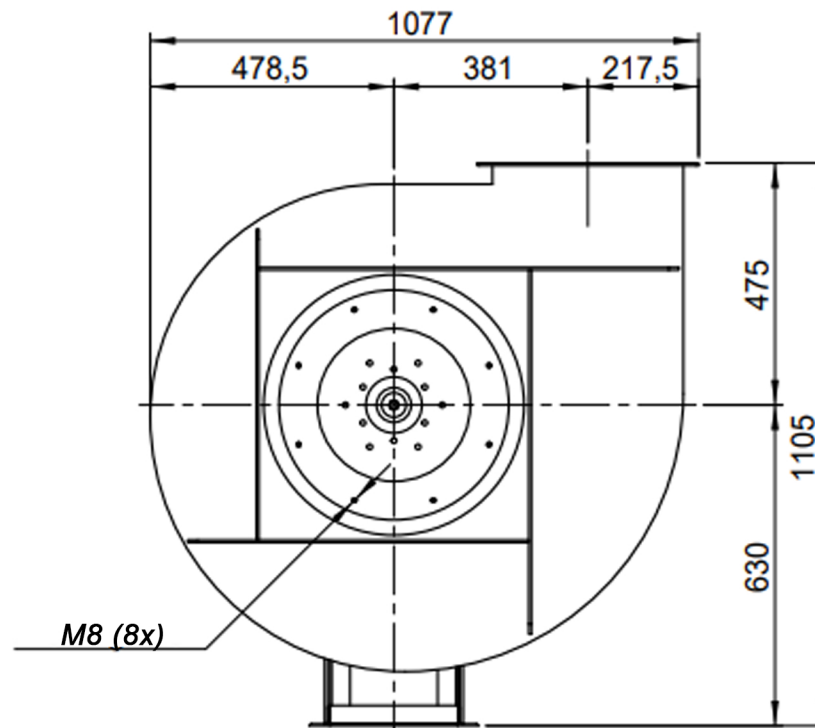
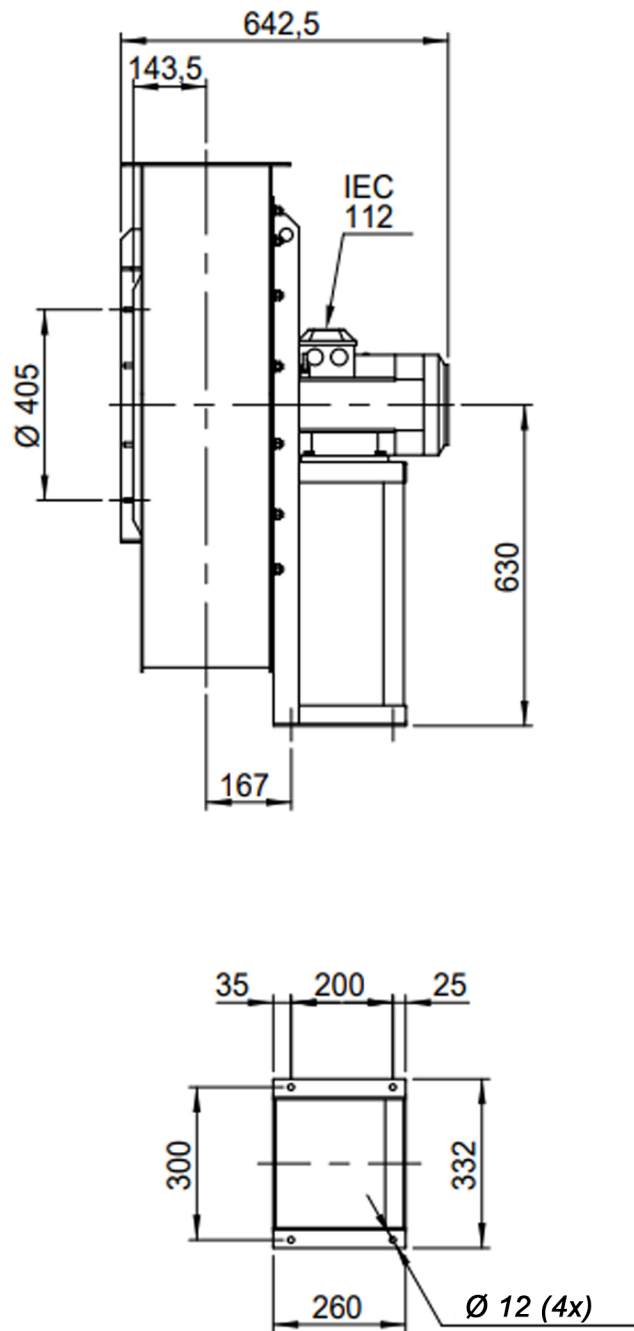
Possible discharge positions:




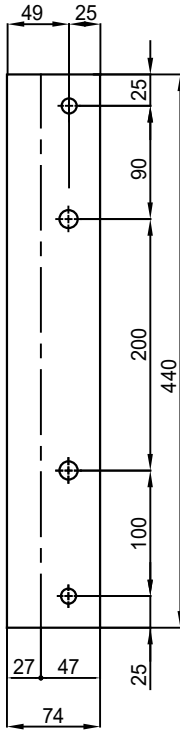
* (Pos 180 and 225 extra price)

Possible accessories

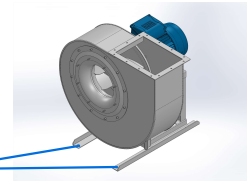
Mounting profiles for load distribution	AP100-11201ST
Counterflange inlet/outlet	zz Ø355 / pz 355x250
Flexible connection inlet/outlet max. 80°C	zz Ø400 / pz Ø450
Anti-vibration mountings	4x 50X40/B/40° ShA
Inspectiondoor	
Drain connection	
Shaft seal without asbestos	
Coolingwheel (medium max. 150°C)	(incl. coating RAL9006)
Flexible connection inlet/outlet max. 150°C	zz Ø400 / pz Ø450
ATEX version	Zone 1 / 2 / 21 / 22
ATEX motor	Ex nA / Exe / Ex de
Coating suitable for outdoor application	RAL 5010 / RAL
Stainless steel version	304 / 316 / ...
Acoustic enclosure	



DESCRIPTION-BESCHRIJVING	SCHAAL	GEMAAKT - PREPARED	FORMAAT
	1:15	Overmeer E.	A4
APRH712/B - RD0	DATUM		
	29/11/2023		
N.TEKENING - N.DRAWING			REV.
		V1APRH712/B	00



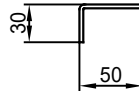
Sp. 30/10



N°2 Fori Ø14.5

n°1 PIEGA DX
n°1 PIEGA SX

N°2 Fori Ø12



COMM.
N°

00	02/02/2016	PRIMA EMISSIONE		RK	RK	
01	16/09/2020	Extention pedestal		MvS	MvS	
REV	DATA - DATE	DESCRIZIONE - DESCRIPTION		DISEGNATO PREPARED	CONTROLLATO CHECKED	
DESCRIZIONE - DESCRIPTION			MATERIALE - MATERIAL	NR.FILE	PESO - WEIGHT	
DESCRIZIONE - DESCRIPTION			Fe 360		Kg	
Staffe per Puffer L=440 IEC 100-112 / AP series			SCALA	1:4	DISEGNATO - PREPARED	FORMATO
			DATA	02/02/2016	RK	A4
			SOSTITUISCE IL - REPLACED THE N° SOSTITUITO DAL - REPLACES BY N°			
			N.DISEGNO - N.DRAWING		REV.	
			STF-AP10011201ST		01	

