



VK plastic louvre shutter for AW axial wall fans  
 Self-closing square louvre valve  
 Weather resistant (UV-resistant)  
 Temperature range from  $-30^{\circ}\text{C}$  to  $+60^{\circ}\text{C}$   
 Suitable for vertical mounting on the wall  
 The profiles of the valve have a upward force that reduces air resistance so the valve will also open with low air velocities.  
 All parts are made of durable material (PVC)  
 The heavy construction makes the valve extra strong, so the profiles will not loosen or deform  
 The airspeed cannot be higher than 12 meter per second Wall plows and screws are delivered with the package  
 Light gray RAL 7035

#### Technical parameters

Material	PVC	
Weight	0,53	kg
Max. medium temp.	60	$^{\circ}\text{C}$

#### Suitable for

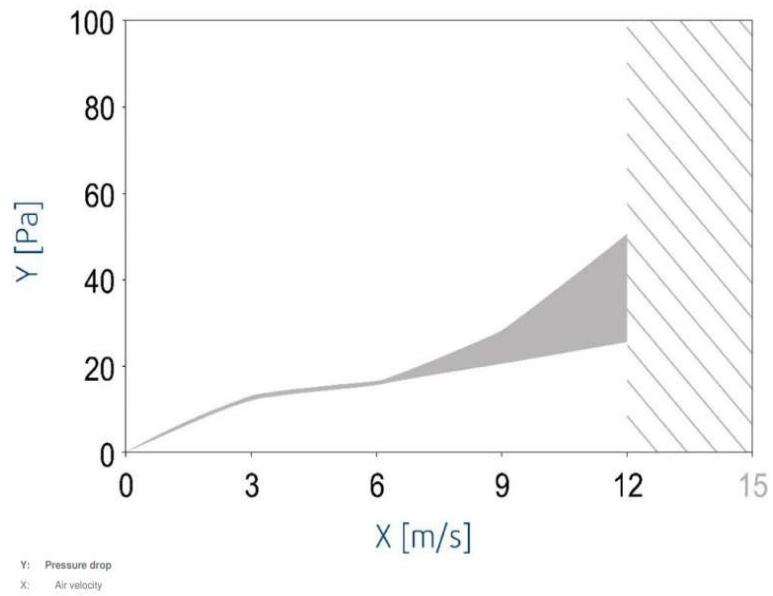
Axial fan  
 Axial fan

#### Type

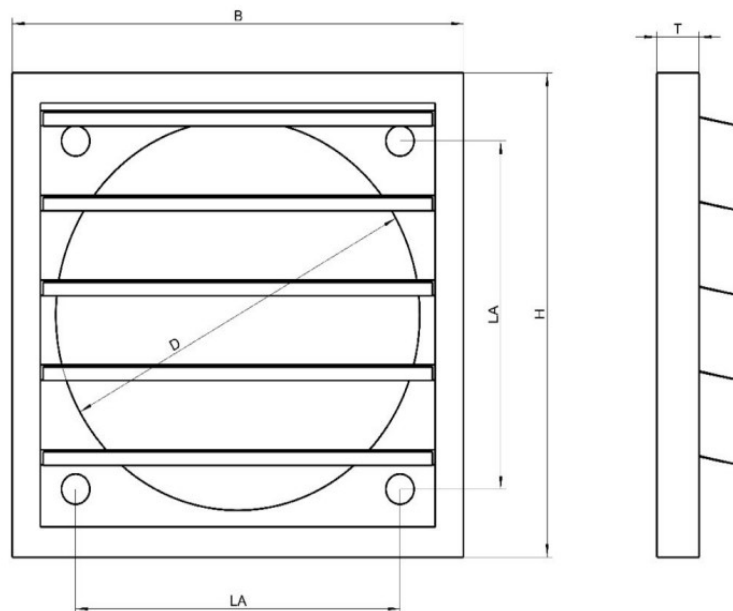
AW 300 E2  
 AW 300 E4

Performances

VK 200 - 500



Dimensions:



Type	D	H/B	LA	T	weight (kg)
VK300	310	346	276	26	0,53