



VK plastic louvre shutter for AW axial wall fans  
Self-closing square louvre valve  
Weather resistant (UV-resistant)  
Temperature range from  $-30^{\circ}\text{C}$  to  $+60^{\circ}\text{C}$   
Suitable for vertical mounting on the wall  
The profiles of the valve have a upward force that reduces air resistance  
so the valve will also open with low air velocities.  
All parts are made of durable material (PVC)  
The heavy construction makes the valve extra strong, so the profiles will  
not loosen or deform  
The airspeed cannot be higher than 12 meter per second Wall plows and  
screws are delivered with the package  
Light gray RAL 7035

**Technical parameters**

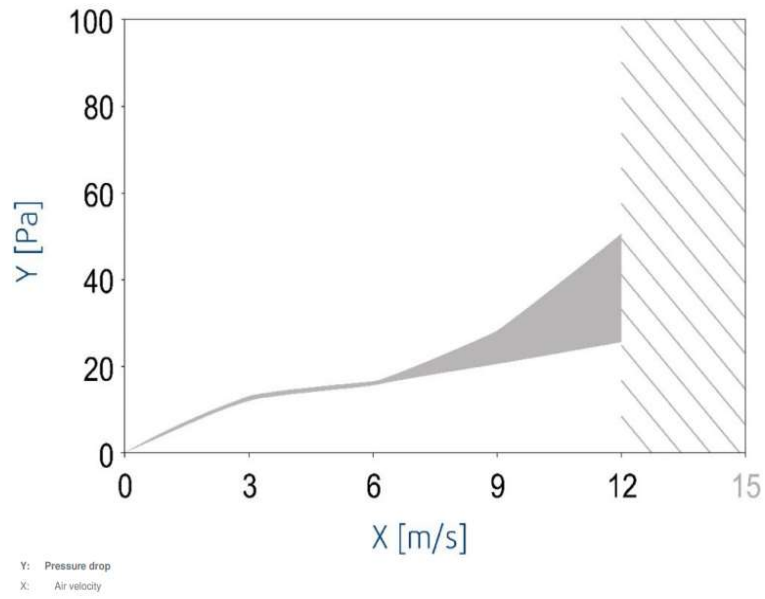
Material	PVC	
Weight	0,23	kg
Max. medium temp.	60	$^{\circ}\text{C}$

**Suitable for**

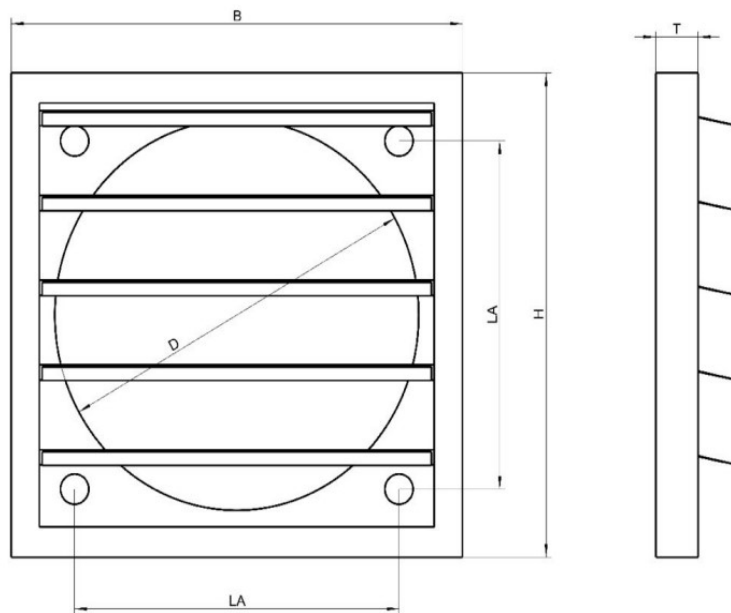
Axial fan

**Type**

AW200 E4



Dimensions:



Type	D	H/B	LA	T	weight (kg)
VK200	210	243	182	21	0,23