



VK plastic louvre shutter for AW axial wall fans
Self-closing square louvre valve
Weather resistant (UV-resistant)
Temperature range from -30°C to $+60^{\circ}\text{C}$
Suitable for vertical mounting on the wall
The profiles of the valve have a upward force that reduces air resistance so the valve will also open with low air velocities.
All parts are made of durable material (PVC)
The heavy construction makes the valve extra strong, so the profiles will not loosen or deform
The airspeed cannot be higher than 12 meter per second Wall plows and screws are delivered with the package
Light gray RAL 7035

Technical parameters

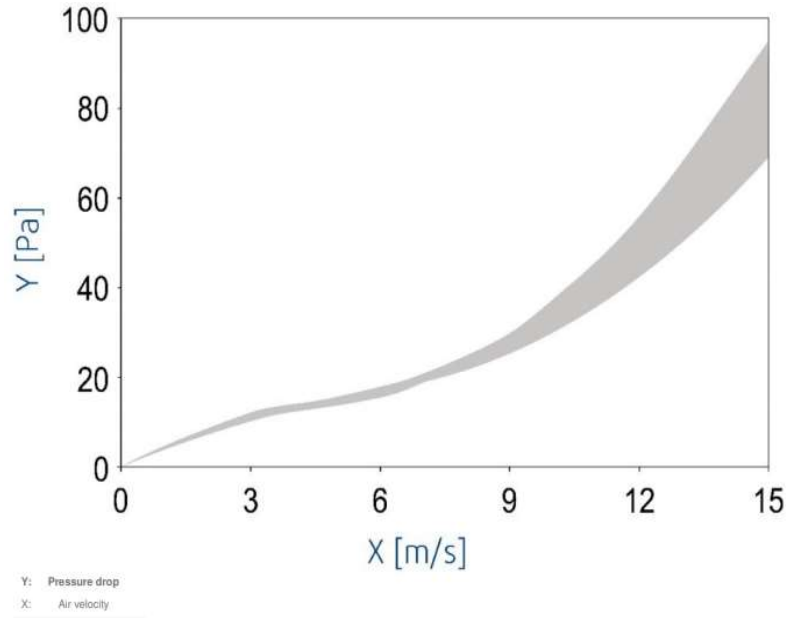
Material	PVC	
Weight	6	kg
Max. medium temp.	60	$^{\circ}\text{C}$

Suitable for

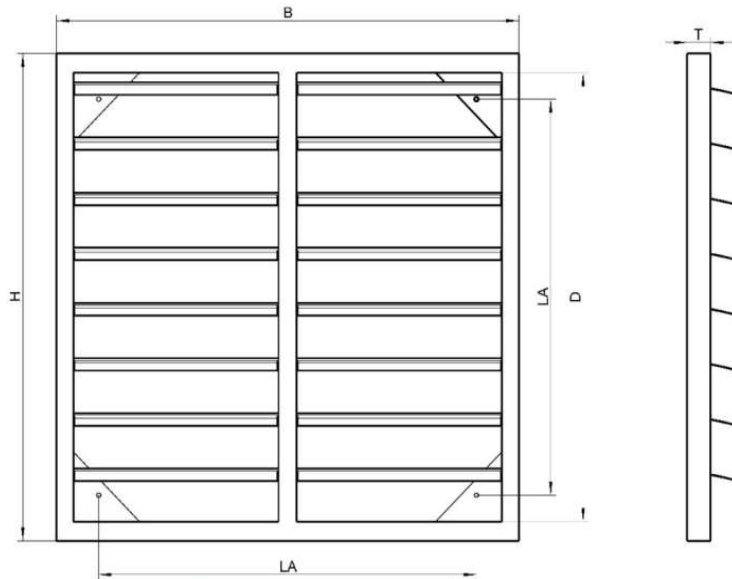
Axial fan

Type

AW 1000 D6



Dimensions:



Type	D	H/B	LA	T	weight (kg)
VK 55	563	603	520	28	1,6

Type	D	H/B	LA	T	weight (kg)
VK1000	1000	1040	972	40	6