

8300100095
VBH0560CTTPS

EC centrifugal module - RadiPac

backward-curved, single-intake
with support bracket



Nominal data

Item	8300100095	
Motor	E15031-85	
Phase		3~
Nominal voltage	VAC	400
Nominal voltage range	VAC	380 .. 480
Frequency	Hz	50/60
Method of obtaining data		ml
Status		prelim.
Speed (rpm)	min ⁻¹	2080
Power consumption	W	4400
Current draw	A	6.7
Min. ambient temperature	°C	-40
Max. ambient temperature	°C	40

ml = Max. load · me = Max. efficiency · fa = Free air · cs = Customer specification · ce = Customer equipment
Subject to change

Data according to Commission Regulation (EU) 327/2011 (prEN 17166)

		Actual	Req. 2015			
01 Overall efficiency η_{es}	%	74.6	58.2	09 Power consumption P_{ed}	kW	4.36
02 Measurement category		A		09 Air flow q_v	m ³ /h	12210
03 Efficiency category		Static		09 Pressure increase p_{fs}	Pa	926
04 Efficiency grade N		78.4	62	10 Speed (rpm) n	min ⁻¹	2080
05 Variable speed drive		Yes		11 Specific ratio*		1.01

Data obtained at optimum efficiency level.

* Specific ratio = $1 + p_{fs} / 100\,000\text{ Pa}$

LU-215087

The efficiency values displayed for achieving conformity with the Ecodesign Regulation EU 327/2011 has been reached with defined air duct components (e.g. inlet rings).
The dimensions must be requested from ebm-papst. If other air conduction geometries are used on the installation side, the ebm-papst evaluation loses its validity/the conformity must be confirmed again.
The product does not fall within the scope of Regulation (EU) 2019/1781 due to the exception specified in Article 2 (2a) (motors completely integrated into a product).



8300100095

VBH0560CTTPS

EC centrifugal module - RadiPac

backward-curved, single-intake
with support bracket



Technical description

Weight	44.9 kg
Size	560 mm
Motor size	150
Rotor surface	Painted black
Electronics housing material	Die-cast aluminum
Impeller material	PP plastic
Support plate material	Sheet steel, galvanized
Support bracket material	Steel, painted black
Inlet nozzle material	ABS plastic
Number of blades	5
Direction of rotation	Clockwise, viewed toward rotor
Degree of protection	IP55
Insulation class	"F"
Moisture (F) / Environmental (H) protection class	H1
Ambient temperature note	Occasional start-up at temperatures between -40°C and -25°C is permitted. For continuous operation at ambient temperatures below -25°C (such as refrigeration applications), use must be made of a fan design with special low-temperature bearings.
Max. permitted ambient temp. for motor (transport/storage)	+80 °C
Min. permitted ambient temp. for motor (transport/storage)	-40 °C
Installation position	See legend on product drawing
Condensation drainage holes	On rotor side
Mode	S1
Motor bearing	Ball bearing
Technical features	<ul style="list-style-type: none"> - Operation and alarm display with LED - External 15-50 VDC input (parameterization) - Alarm relay - Integrated PI controller - Configurable inputs/outputs (I/O) - MODBUS V6.3 - Motor current limitation - RS-485 MODBUS-RTU - Soft start - Voltage output 3.3-24 VDC, Pmax = 800 mW - Control interface with SELV potential safely disconnected from the mains - Thermal overload protection for electronics/motor - Line undervoltage / phase failure detection - Vibration sensor
Touch current according to IEC 60990 (measuring circuit Fig. 4, TN system)	<= 3.5 mA
Electrical hookup	Terminal box
Motor protection	Electronic motor protection



8300100095
VBH0560CTTPS

EC centrifugal module - RadiPac

backward-curved, single-intake
with support bracket



Protection class assignment	I; If a protective earth is connected by the customer This component for installation may have several local protection classes. This information relates to this component's basic design. The final protection class is based on the component's intended installation and connection.
Conformity with standards	EN 61800-5-1; UKCA; CE
Approval	UL 1004-7 + 60730-1; EAC; CSA C22.2 No. 77 + CAN/CSA-E60730-1



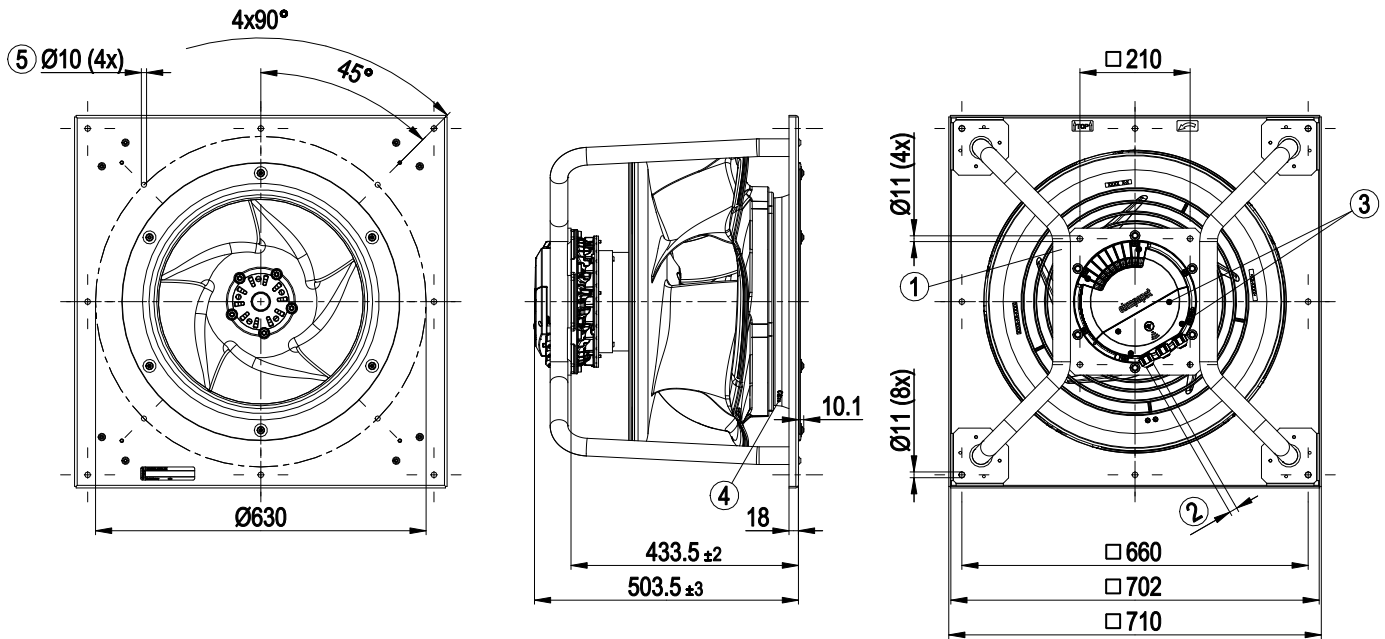
8300100095
VBH0560CTTPS

EC centrifugal module - RadiPac

backward-curved, single-intake
with support bracket



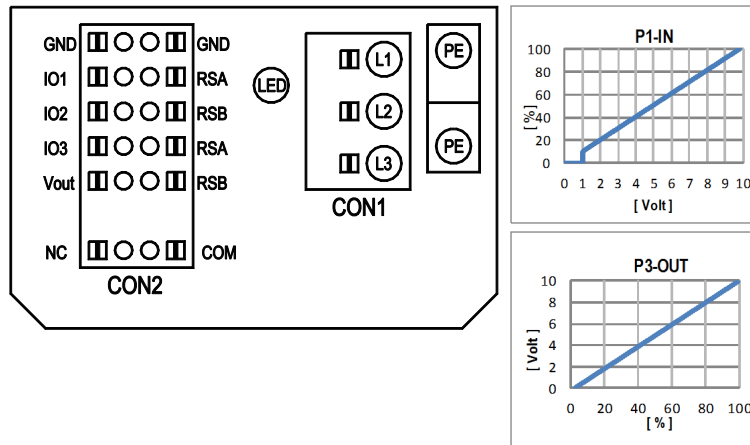
Product drawing



1	Installed position: shaft horizontal (install support struts only vertically as illustrated) or rotor on bottom; rotor on top on request
2	Cable diameter min. 4 mm, max. 10 mm, tightening torque 4 ± 0.6 Nm (The tightening torque is designed for PVC cables. If the cable materials are different, the tightening torque may have to be adjusted)
3	Tightening torque 1.5 ± 0.2 Nm
4	Inlet ring with pressure tap (k-factor: 381)
5	Attachment holes for FlowGrid 50710-2-2957 (not included in scope of delivery)



Connection diagram



No.	Conn.	Designation	Function/assignment
	CON1	L1, L2, L3	Power supply, phase, see nameplate for voltage range
	PE	PE	Protective earth
	CON2	RSA	RS485 interface for MODBUS, RSA; SELV
	CON2	RSB	RS485 interface for MODBUS, RSB; SELV
	CON2	GND	Reference ground for control interface, SELV
	CON2	IO1	Function parameterizable (see "Optional interface functions" table) Factory setting: Digital input - high active, function: Disable input, SELV - inactive: Pin open or applied voltage < 1.5 VDC - active: applied voltage 3.5-50 VDC Reset function: Triggering of error reset on change of state from "enabled" to "disabled"
	CON2	IO2	Function parameterizable (see "Optional interface functions" table) Factory setting: Analog input 0-10 V/PWM, Ri=100 kΩ, function: Set value Characteristic curve parameterizable (see input characteristic curve P1-IN), SELV
	CON2	IO3	Function parameterizable (see "Optional interface functions" table) Factory setting: Analog output 0-10 V, max. 5 mA, function: Actual speed Characteristic curve parametrizable (see output characteristic curve P3-OUT), SELV
	CON2	Vout	Voltage output 3.3-24 VDC ±5%, Pmax=800 mW, voltage parameterizable Factory setting: 10 VDC short-circuit-proof, supply for external devices, SELV alternatively: 15-50 VDC input for parameterization via MODBUS without line voltage
	CON2	COM	Status relay, floating status contact, common connection, contact rating 250 VAC / 2 A (AC1) / min. 10 mA, reinforced insulation on supply side and on control interface side
	CON2	NC	Status relay, floating status contact, break for failure
		LED	green: status = good, ready for operation orange: status = warning red: status = failure
		P1-IN	Input characteristic curve
		P3-OUT	Output characteristic curve

Terminal/plug assignment

CON2	configurable IO mode	electrical specification	configurable IO functions: normal / inverse	
			MODBUS Register for IO mode configuration	source: set value
IO1	o Din1 (active high), digital input	active: applied voltage 3.5-50VDC, SELV not active: pin open or applied voltage < 1.5VDC	D158 [0]	source: set value
	o Ain1 0-10V/PWM: analog input	RI = 100k, characteristic curve parameterizable, $f_{PWM} = 1k..10kHz$, SELV	D158 [2]	source: sensor value
	o Tach out (open collector output)	Umax = 50VDC, I _{max} = 20mA, SELV	D158 [5]	switch: parameter set: #1 / #2
	o Diagnostics out (open collector output)	Umax = 50VDC, I _{max} = 20mA, SELV	D158 [6]	switch: control function: heating (pos.) cooling (neg.)
IO2	o Din2 (active high), digital input	active: applied voltage 3.5-50VDC, SELV not active: pin open or applied voltage < 1.5VDC	D159 [0]	switch: direction of rotation: cw / ccw
	o Ain2 0-10V/PWM: analog input	RI = 100k, characteristic curve parameterizable, $f_{PWM} = 1k..10kHz$, SELV	D159 [2]	switch: set value source
	o Ain2.4-20mA: analog input	RI = 125R, characteristic curve parameterizable, SELV	D159 [3]	switch: fan enable / disable
	o Din3 (active high), digital input	active: applied voltage 3.5-50VDC, SELV not active: pin open or applied voltage < 1.5VDC	D15A [0]	signal: tach out
IO3	o Din3 (active low), digital input	active: applied voltage < 1.5VDC, SELV not active: pin open or applied voltage 3.5-50VDC	D15A [1]	signal: diagnostics out (selected directly via IO mode)
	o PWMIn3: digital input, idle level high	PWM = 40Hz - 10kHz, characteristics parameterizable	D15A [7]	signal: fan modulation level %
	o PWMIn3: digital input, idle level low	active: pin open or applied voltage 3.5-50VDC not active: applied voltage < 1.5VDC, SELV	D15A [8]	signal: actual speed
	o Aout3 0-10V: analog output	active: applied voltage 3.5-50VDC not active: pin open or applied voltage < 1.5VDC, SELV	D15A [4]	signal: remote control output 0-10V
Vout	o Tacho out (pulses), analog output	function parameterizable, max. 5mA max output frequency 300Hz SELV	D15A [5]	pulse input for auto-addressing
	o Diagnostics out (pulses)	0-10V/max. 5mA max output frequency 300Hz SELV	D15A [6]	pulse output for auto-addressing
	o Diagnostics out (pulses)	0-10V/max. 5mA max output frequency 300Hz, SELV	D15A [6]	
RSA	RS485 bus connection,	MODBUS RTU, specification V6.3, SELV		
RSB	voltage output	voltage parameterizable 3.3...24VDC +/- 5%, P _{max} =600mW, short-circuit-proof, supply for external devices, SELV	D16E [..]	
	alternatively: Input auxiliary power supply for parameterization via RS485/MODBUS RTU without line voltage	15...50VDC		

o configurable option

For further information and additional functions see EC Control Software, Fan-Set-App,
or MODBUS Parameter Specification V6.3



8300100095

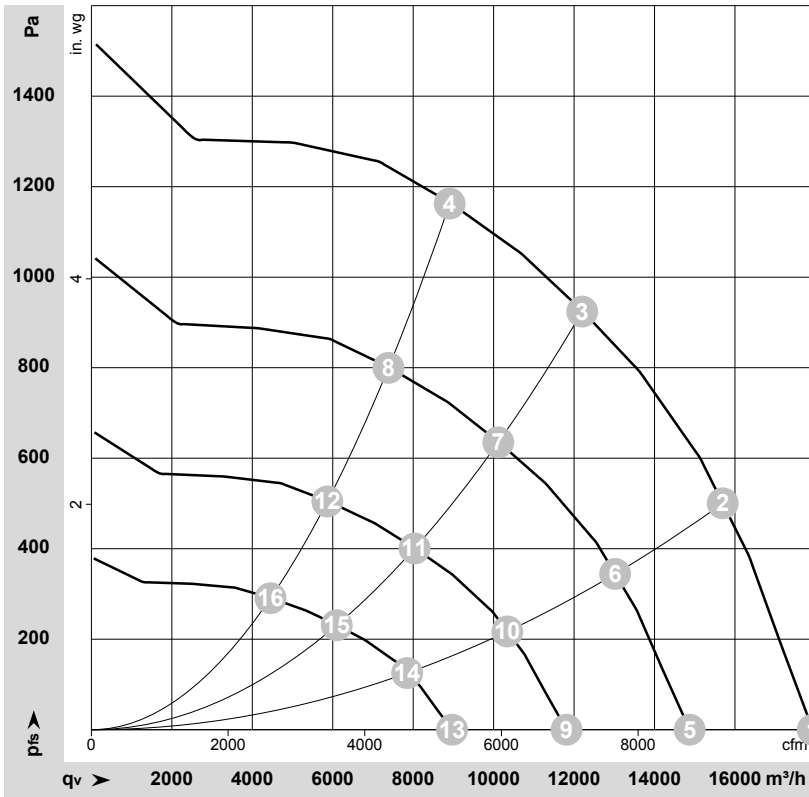
VBH0560CTTPS

EC centrifugal module - RadiPac

backward-curved, single-intake
with support bracket



Curves: Air performance 50 Hz



$\rho = 1.15 \text{ kg/m}^3 \pm 2 \%$

Measurement: LU-215087-1

Air performance measured according to ISO 5801 installation category A. For detailed information on the measurement setup, contact ebmpapst. Intake sound level: Sound power level according to ISO 13347 / sound pressure level measured at 1 m distance from fan axis. The values given are valid under the specified measuring conditions and may vary due to conditions of installation. For deviations from the standard configuration, the parameters have to be checked on the installed unit.

Measured values

	Wired	U	f	n	P _e	I	LpA _{in}	LwA _{in}	LwA _{out}	q _v	P _{fs}	q _v	P _{fs}
		V	Hz	min ⁻¹	W	A	dB(A)	dB(A)	dB(A)	m ³ /h	Pa	cfm	in. wg
1	3~	400	50	2080	2670	4.12	84	92	96	17940	0	10560	0.00
2	3~	400	50	2080	3865	5.90	78	86	90	15695	500	9240	2.01
3	3~	400	50	2080	4400	6.70	73	81	86	12200	925	7180	3.71
4	3~	400	50	2080	4355	6.63	75	81	90	8905	1165	5240	4.68
5	3~	400	50	1725	1523	2.35	80	88	91	14875	0	8755	0.00
6	3~	400	50	1725	2207	3.37	74	81	85	13020	344	7665	1.38
7	3~	400	50	1725	2489	3.79	68	76	81	10115	636	5955	2.55
8	3~	400	50	1725	2485	3.78	70	77	85	7385	801	4345	3.22
9	3~	400	50	1370	763	1.18	74	82	86	11815	0	6955	0.00
10	3~	400	50	1370	1106	1.69	68	76	80	10340	217	6085	0.87
11	3~	400	50	1370	1247	1.90	63	70	75	8035	401	4730	1.61
12	3~	400	50	1370	1245	1.89	64	71	80	5865	506	3455	2.03
13	3~	400	50	1040	334	0.51	67	75	79	8965	0	5280	0.00
14	3~	400	50	1040	484	0.74	61	69	73	7850	125	4620	0.50
15	3~	400	50	1040	545	0.83	56	63	68	6100	231	3590	0.93
16	3~	400	50	1040	544	0.83	57	64	73	4455	291	2620	1.17

Wired = Wiring · U = Voltage · f = Frequency · n = Speed (rpm) · P_e = Power consumption · I = Current draw · LpA_{in} = Sound pressure level intake side · LwA_{in} = Sound power level intake side
LwA_{out} = Sound power level outlet side · q_v = Air flow · P_{fs} = Pressure increase



ebmpapst