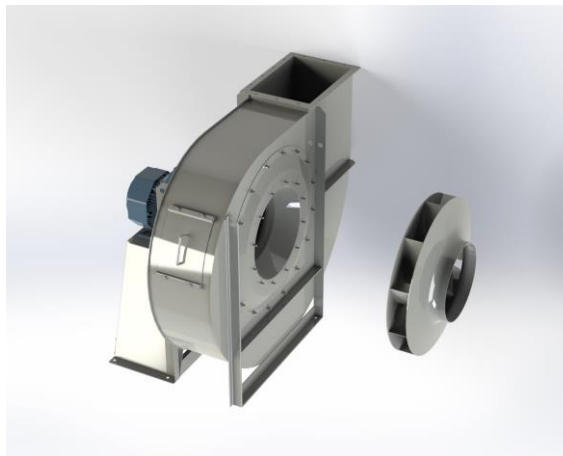


TR 902



Centrifugal fan model TR, Es.4

Single inlet fan, direct driven with an IEC-standard motor in form B3 which is mounted on a motorbase. The overhang impeller is mounted on the motor shaft and has backwardly curved blades. The blades are welded between the back plate disc and the aerodynamically formed front plate. The robust industrial fan is totally made of steel and painted in the agate grey color RAL 7037. The fan is suitable for the transportation of clean and slightly dusty air.

General data:

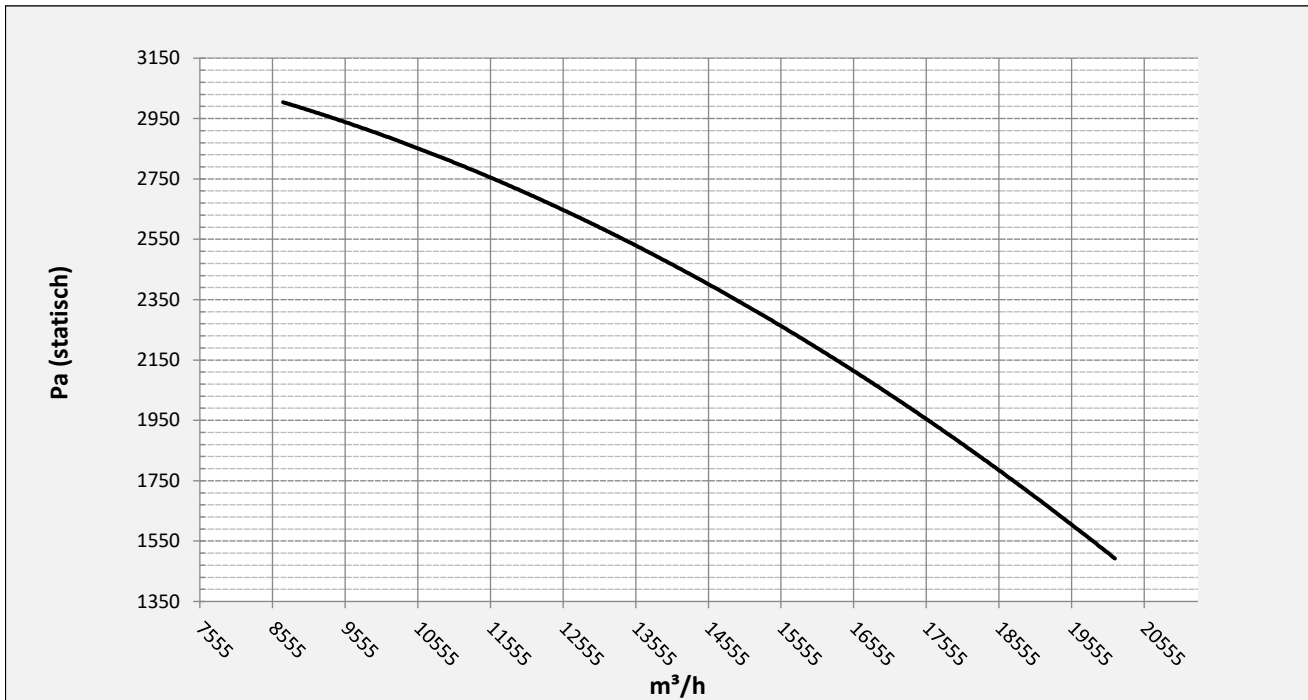
Drive	direct
Motor position	horizontal
Material casing/base	Steel
Material impeller/hub	Steel
Motorcoating/protection	RAL 7037
Operating temperature (max.)	15 (80) °C
Medium density (altitude 0 m)	1,226 kg/m ³
Impeller speed	1465 rpm
Weight	541 kg
Sound pressure level ±3	76 dB(A)

(at 1,5 m near the fan with inlet and outlet ducted, in free field)

Electric motor:

	160L	IEC
Power	15	kW
Motor speed	1.465	rpm
Electric supply	3x400V50Hz	V/Hz
Full load current	27,9	A
Enclosure	55	IP
Shape	B3T	
Efficiency class	IE3	

Curve TR 902 @ 1465rpm @ 15°C @ 0m



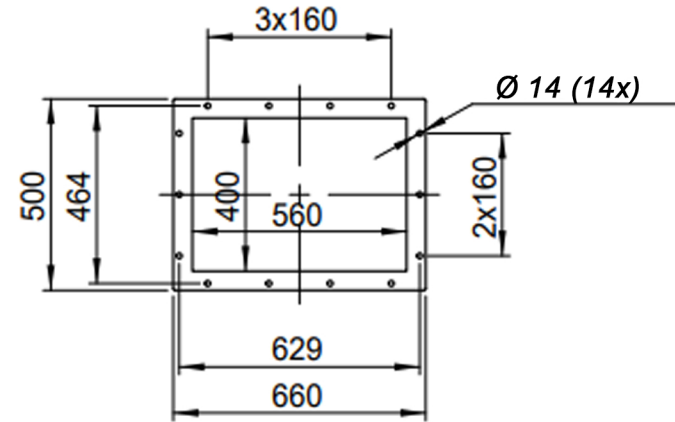
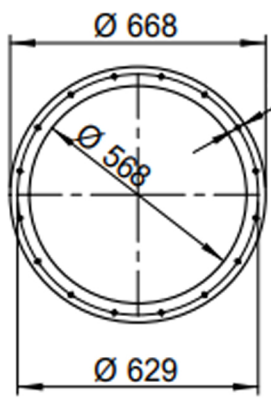
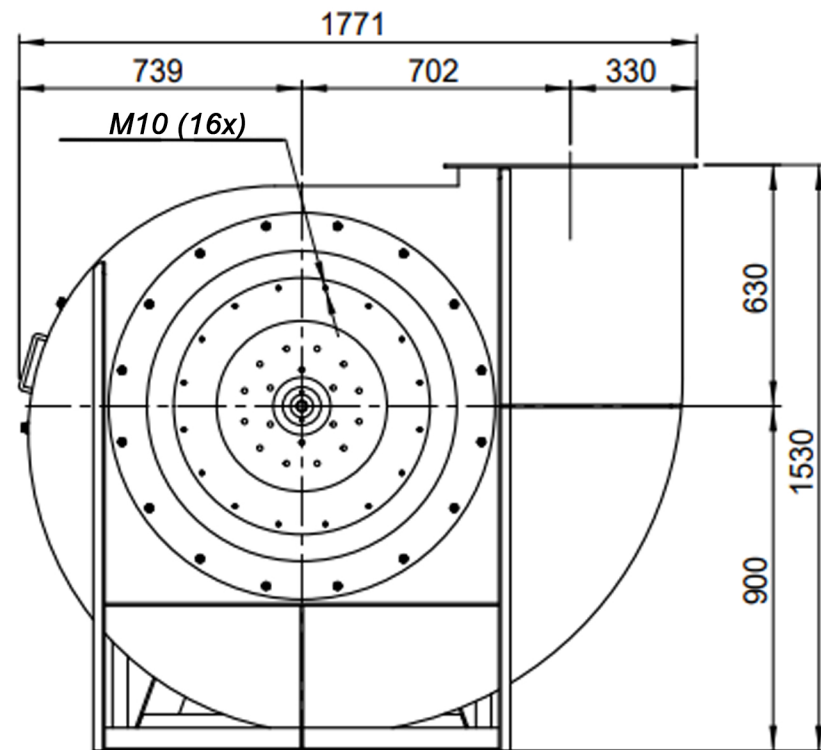
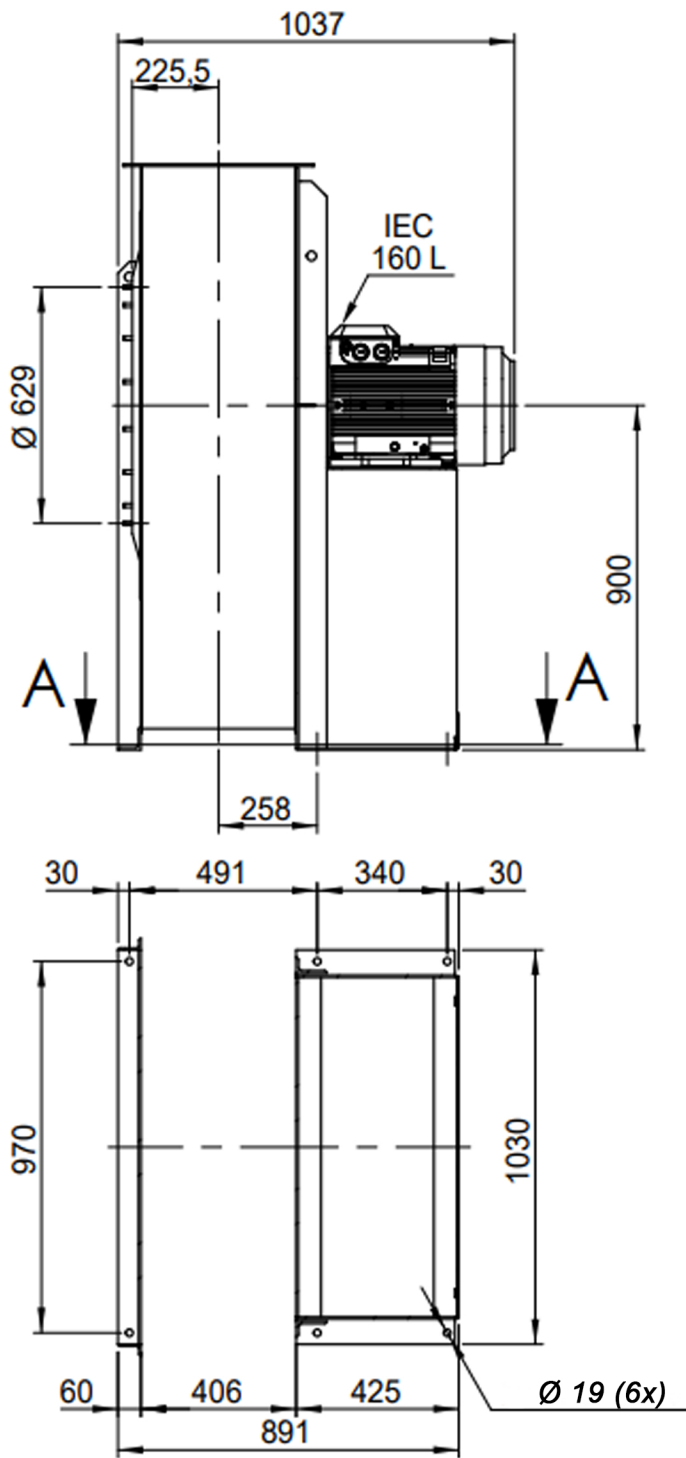
Possible discharge positions:



* (Pos 180 and 225 extra price)

Possible accessories

Mounting profiles for load distribution	--
Counterflange inlet/outlet	zz Ø560 / pz 560x400
Flexible connection inlet/outlet max. 80°C	zz Ø630 / pz Ø710
Anti-vibration mountings	6x 70x45/B/40° ShA
Inspection door	
Drain connection	
Shaft seal without asbestos	
Coolingwheel (medium max. 150°C)	(incl. coating RAL9006)
Flexible connection inlet/outlet max. 150°C	zz Ø630 / pz Ø710
ATEX version	Zone 1 / 2 / 21 / 22
ATEX motor	Ex nA / Exe / Ex de
Coating suitable for outdoor application	RAL 5010 / RAL
Stainless steel version	304 / 316 / ...
Acoustic enclosure	



DESCRIPTION-BESCHRIJVING TR902 - RD0	SCHAAL 1:20	GEMAAKT - PREPARED Overmeer E.	FORMAAT A4
	DATUM 2/11/2023		REV. 00
Slingerland ventilatoren		N.TEKENING - N.DRAWING V1TR 902	