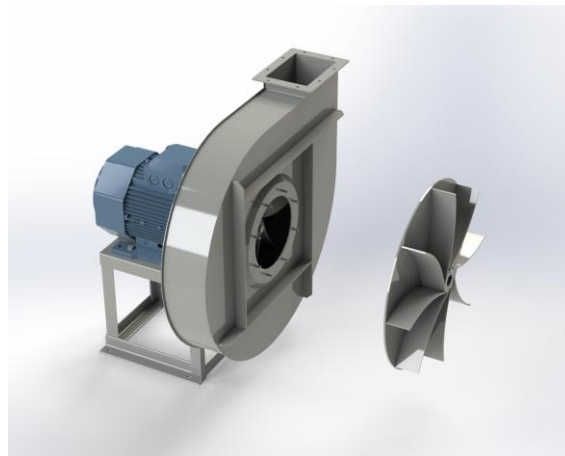


## TG 901B



### Centrifugal fan model TG, Es.4

Single inlet fan, direct driven with an IEC-standard motor in form B3 which is mounted on a motorbase. The overhang impeller is mounted on the motor shaft and has backwardly curved blades. The blades are welded between the back plate disc and the aerodynamically formed front plate. The robust industrial fan is totally made of steel and painted in the agate grey color RAL 7037. The fan is suitable for the transport of granules and trimmings in nylon; for loading solid fuels into boilers, etc.

#### General data:

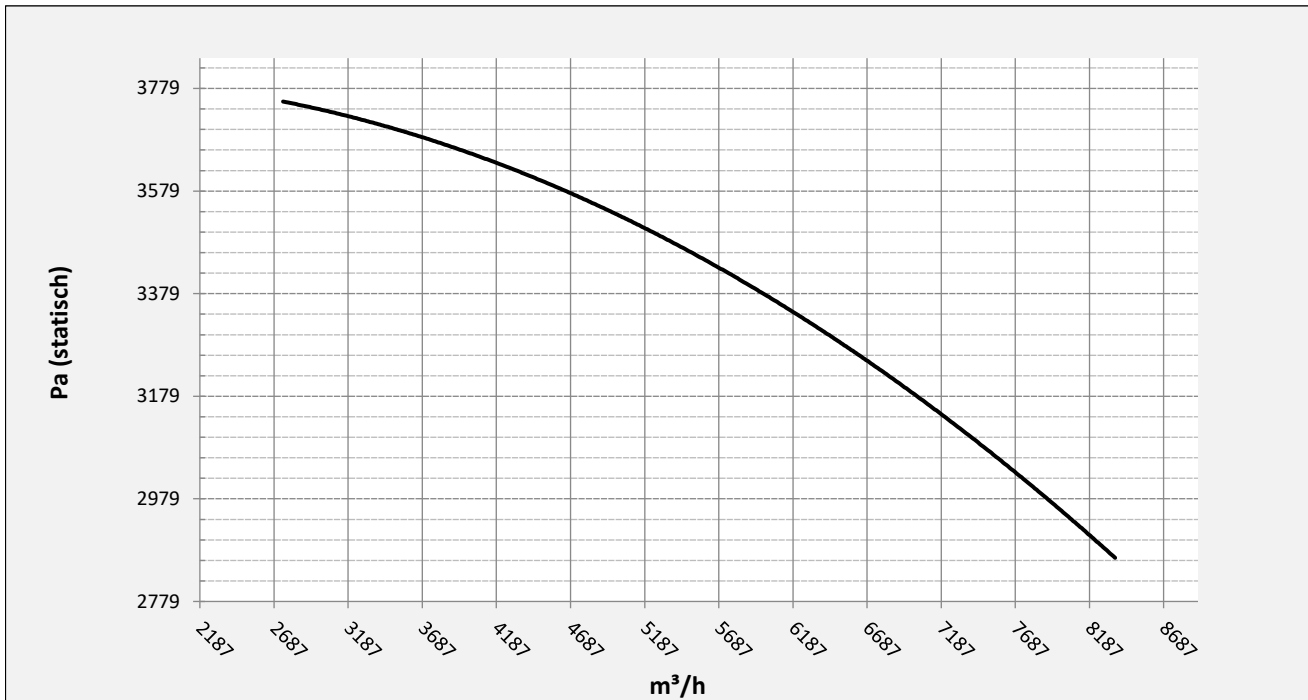
Drive	direct
Motor position	horizontal
Material casing/base	Steel
Material impeller/hub	Steel
Motorcoating/protection	RAL 7037
Operating temperature (max.)	15 (80) °C
Medium density (altitude 0 m)	1,226 kg/m <sup>3</sup>
Impeller speed	1465 rpm
Weight	384 kg
Sound pressure level ±3	85 dB(A)

*(at 1,5 m near the fan with inlet and outlet ducted, in free field)*

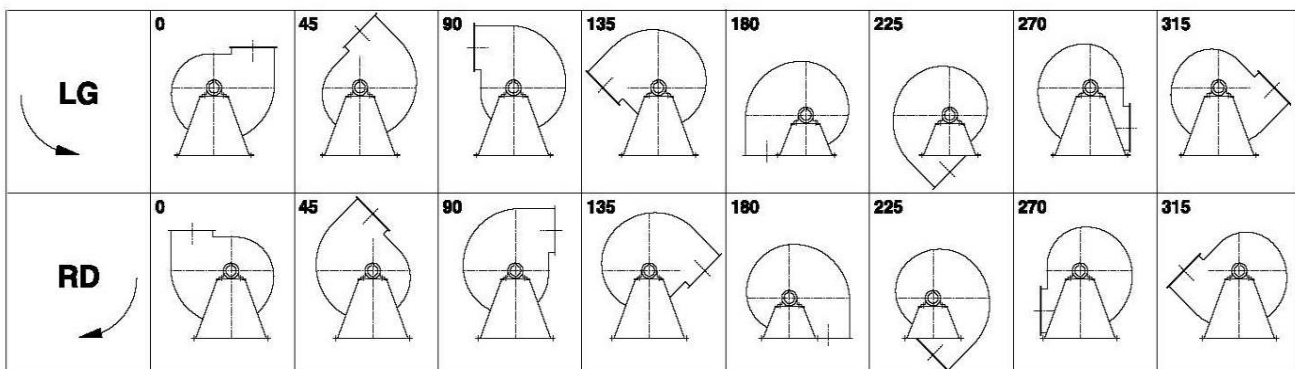
#### Electric motor:

	160L	IEC
Power	15	kW
Motor speed	1.465	rpm
Electric supply	3x400V50Hz	V/Hz
Full load current	27,9	A
Enclosure	55	IP
Shape	B3T	
Efficiency class	IE3	

Curve TG 901B @ 1465rpm @ 15°C @ 0m



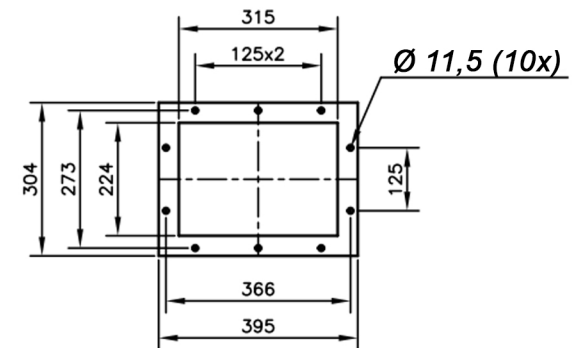
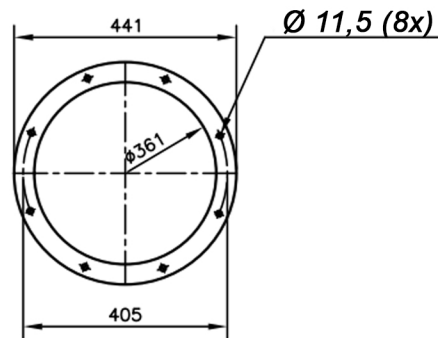
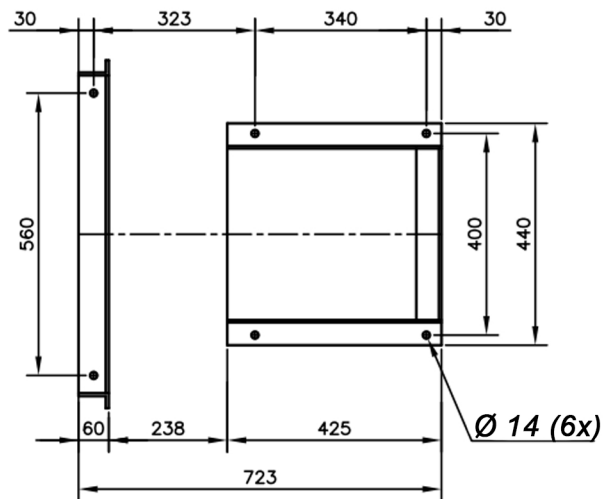
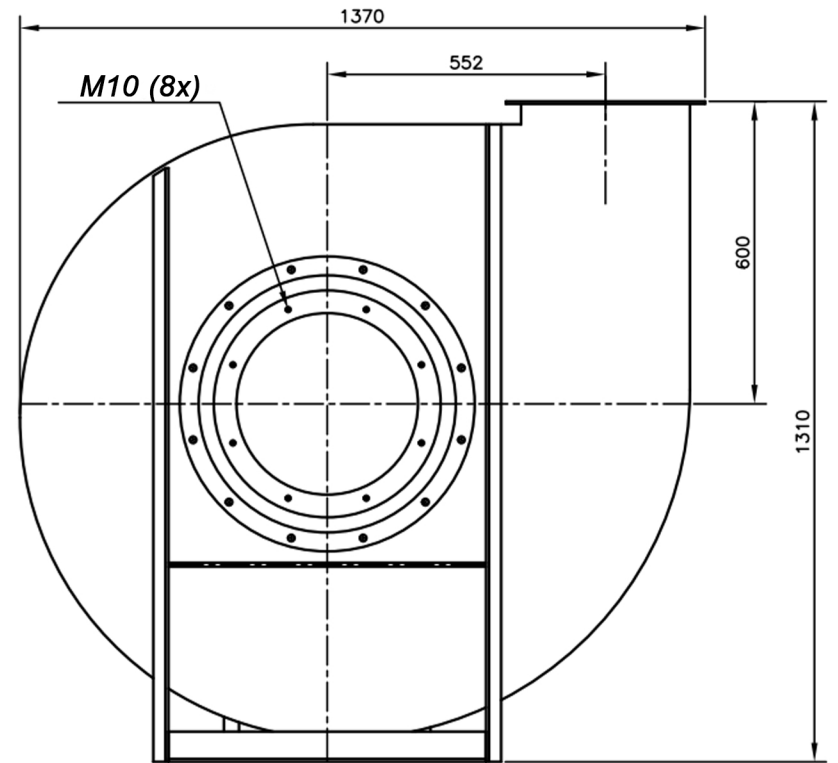
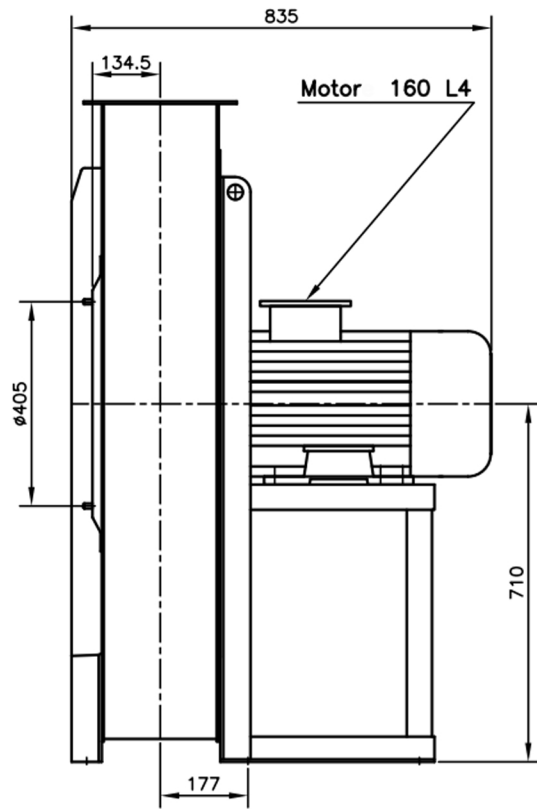
Possible discharge positions:




\* (Pos 180 and 225 extra price)

Possible accessories

Mounting profiles for load distribution	--
Counterflange inlet/outlet	zz Ø355 / pz 315x224
Flexible connection inlet/outlet max. 80°C	zz Ø400 / pz Ø400
Anti-vibration mountings	6x 50x40/B/40° ShA
Inspection door	
Drain connection	
Shaft seal without asbestos	
Coolingwheel (medium max. 150°C)	( incl. coating RAL9006 )
Flexible connection inlet/outlet max. 150°C	zz Ø400 / pz Ø400
ATEX version	Zone 1 / 2 / 21 / 22
ATEX motor	Ex nA / Exe / Ex de
Coating suitable for outdoor application	RAL 5010 / RAL ....
Stainless steel version	304 / 316 / ...
Acoustic enclosure	



DESCRIPTION-BESCHRIJVING	SCHAAL	GEMAAKT - PREPARED	FORMAAT
<b>TG901/B - RD0</b>	<b>1:15</b>	<b>Overmeer E.</b>	<b>A4</b>
	DATUM		
		<b>01/12/2023</b>	
N.TEKENING - N.DRAWING			REV.
			<b>V1TG901/B</b>
			<b>00</b>