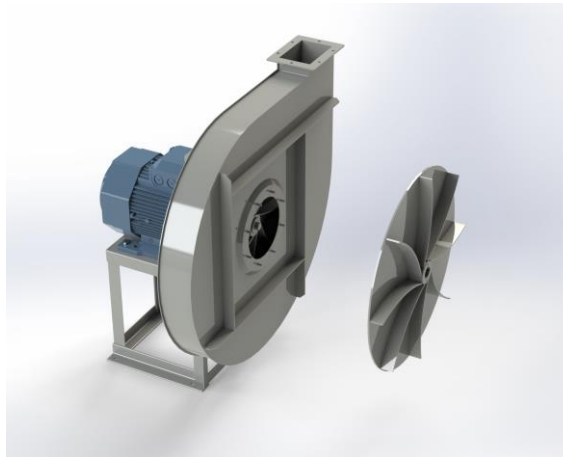


TF 501B



Centrifugal fan model TF, Es.4

Single inlet fan, direct driven with an IEC-standard motor in form B3 which is mounted on a motorbase. The overhang impeller is mounted on the motor shaft and has backwardly curved blades. The blades are welded between the back plate disc and the aerodynamically formed front plate. The robust industrial fan is totally made of steel and painted in the agate grey color RAL 7037. The fan is suitable for pneumatic transport, sawdust, small wood shavings and granulate.

General data:

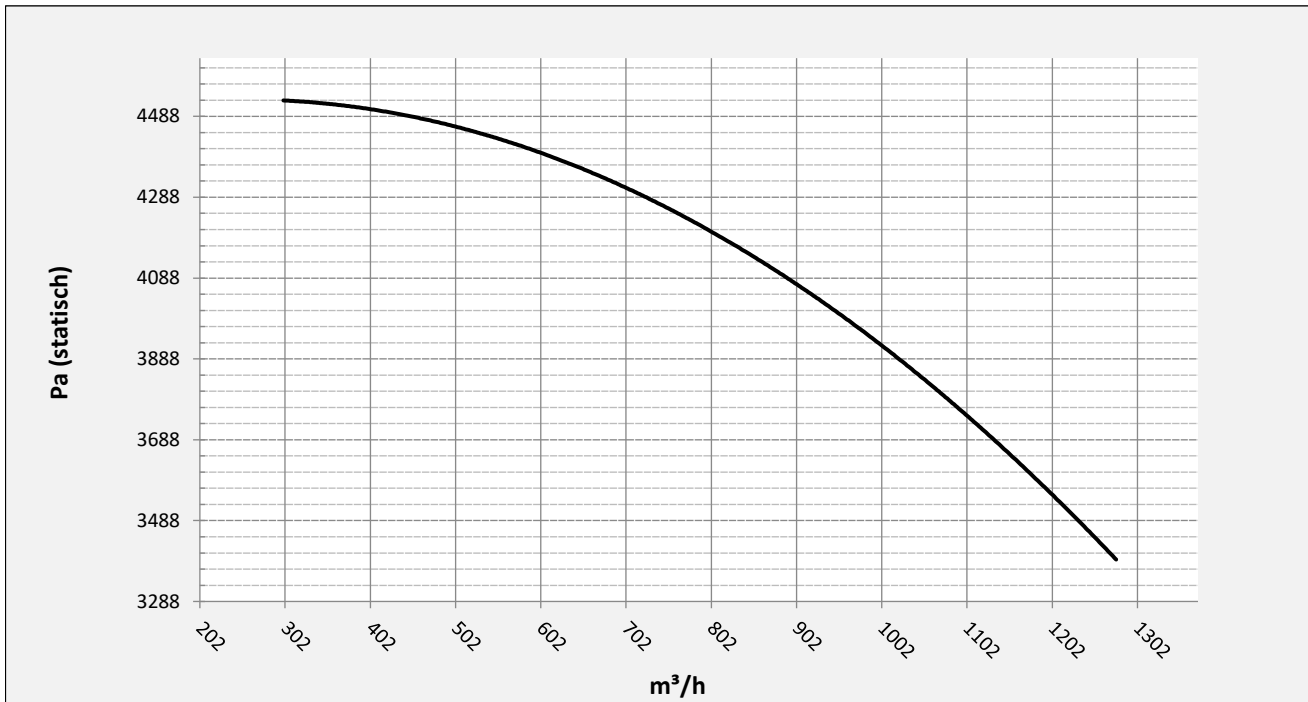
Drive	direct
Motor position	horizontal
Material casing/base	Steel
Material impeller/hub	Steel
Motorcoating/protection	RAL 7037
Operating temperature (max.)	15 (80) °C
Medium density (altitude 0 m)	1,226 kg/m ³
Impeller speed	2910 rpm
Weight	92 kg
Sound pressure level ±3	83 dB(A)

(at 1,5 m near the fan with inlet and outlet ducted, in free field)

Electric motor:

	100L	IEC
Power	3	kW
Motor speed	2.910	rpm
Electric supply	3x400V50Hz	V/Hz
Full load current	5,77	A
Enclosure	55	IP
Shape	B3T	
Efficiency class	IE3	

Curve TF 501B @ 2910rpm @ 15°C @ 0m



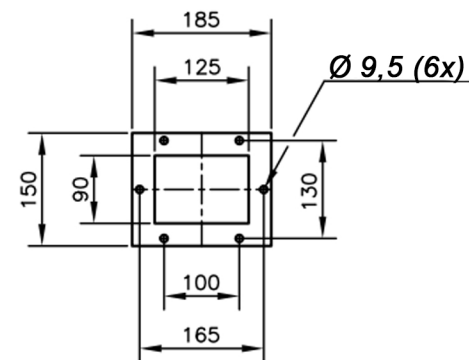
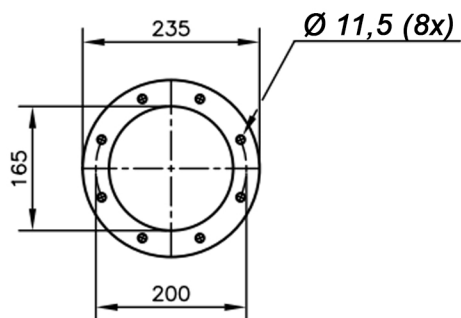
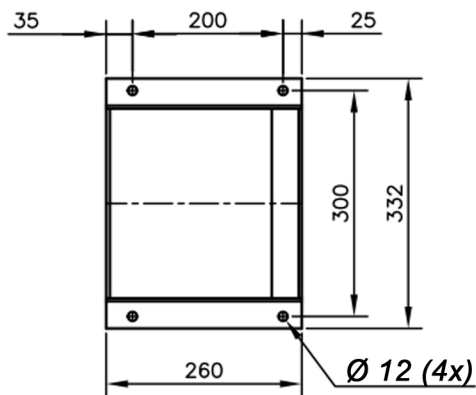
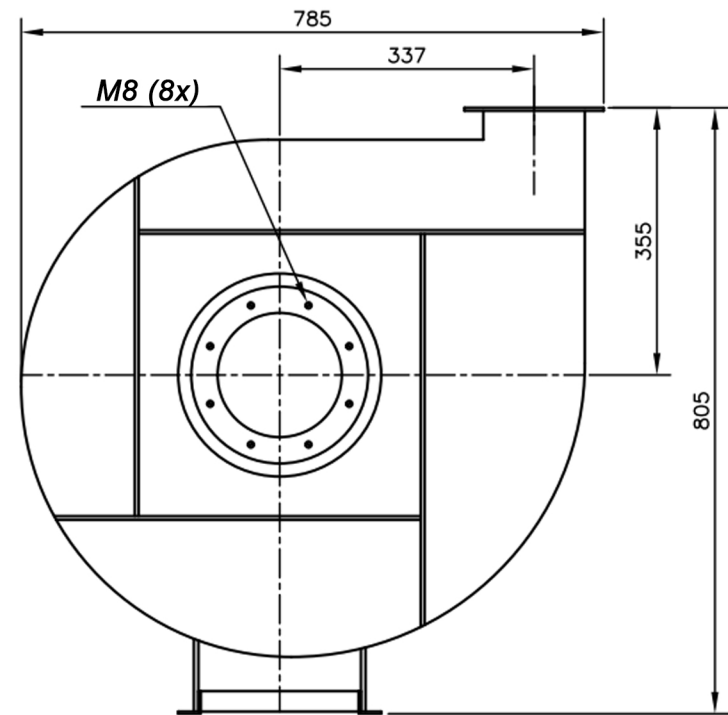
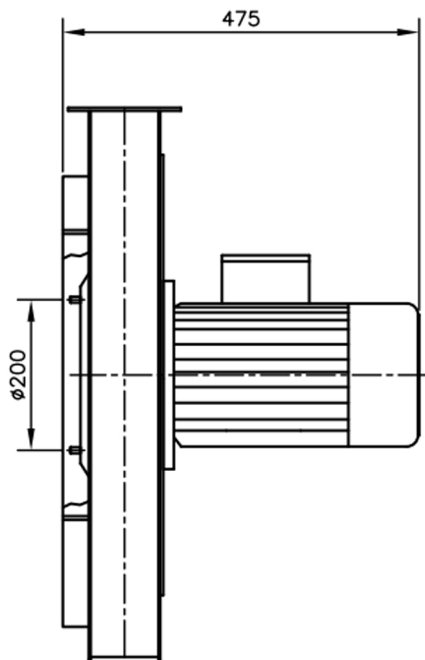
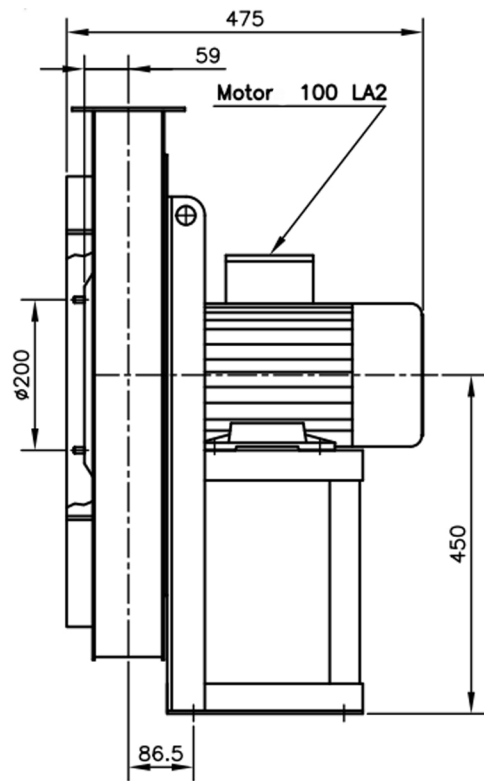
Possible discharge positions:




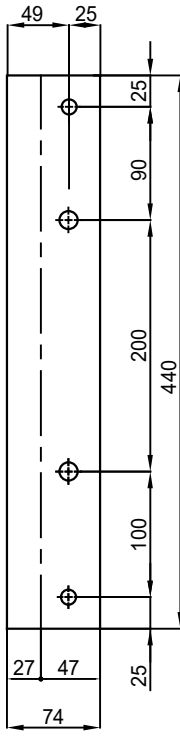
* (Pos 180 and 225 extra price)

Possible accessories

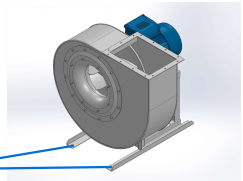
Mounting profiles for load distribution	AP100-11201ST
Counterflange inlet/outlet	zz Ø160 / pz 125x90
Flexible connection inlet/outlet max. 80°C	zz Ø200 / pz Ø200
Anti-vibration mountings	4x 30x20/B/55° ShA
Inspectiondoor	
Drain connection	
Shaft seal without asbestos	
Coolingwheel (medium max. 150°C)	(incl. coating RAL9006)
Flexible connection inlet/outlet max. 150°C	zz Ø200 / pz Ø200
ATEX version	Zone 1 / 2 / 21 / 22
ATEX motor	Ex nA / Exe / Ex de
Coating suitable for outdoor application	RAL 5010 / RAL
Stainless steel version	304 / 316 / ...
Acoustic enclosure	



DESCRIPTION-BESCHRIJVING TF501/B - RD0	SCHAAL 1:10	GEMAAKT - PREPARED Overmeer E.	FORMAAT A4
	DATUM 29/11/2023		
N.TEKENING - N.DRAWING		REV.	
		V1TF501/B	
		00	



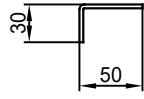
Sp. 30/10



N°2 ForiØ14.5

n°1 PIEGA DX
n°1 PIEGA SX

N°2 ForiØ12



COMM.
N°

00	02/02/2016	PRIMA EMISSIONE		RK	RK	
01	16/09/2020	Extention pedestal		MvS	MvS	
REV	DATA - DATE	DESCRIZIONE - DESCRIPTION		DISEGNATO PREPARED	CONTROLLATO CHECKED	
DESCRIZIONE - DESCRIPTION			MATERIALE - MATERIAL	NR.FILE	PESO - WEIGHT	
DESCRIZIONE - DESCRIPTION			Fe 360		Kg	
Staffe per Puffer L=440 IEC 100-112 / AP series			SCALA	1:4	DISEGNATO - PREPARED	FORMATO
			DATA	02/02/2016	RK	A4
			SOSTITUISCE IL - REPLACED THE N°			
			SOSTITUITO DAL - REPLACES BY N°			
N.DISEGNO - N.DRAWING				REV.		
STF-AP10011201ST				01		

