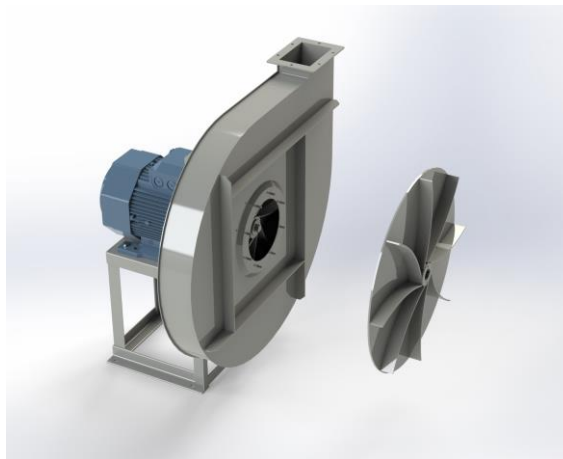


## TF 501A



### Centrifugal fan model TF, Es.4

Single inlet fan, direct driven with an IEC-standard motor in form B3 which is mounted on a motorbase. The overhang impeller is mounted on the motor shaft and has backwardly curved blades. The blades are welded between the back plate disc and the aerodynamically formed front plate. The robust industrial fan is totally made of steel and painted in the agate grey color RAL 7037. The fan is suitable for pneumatic transport, sawdust, small wood shavings and granulate.

#### General data:

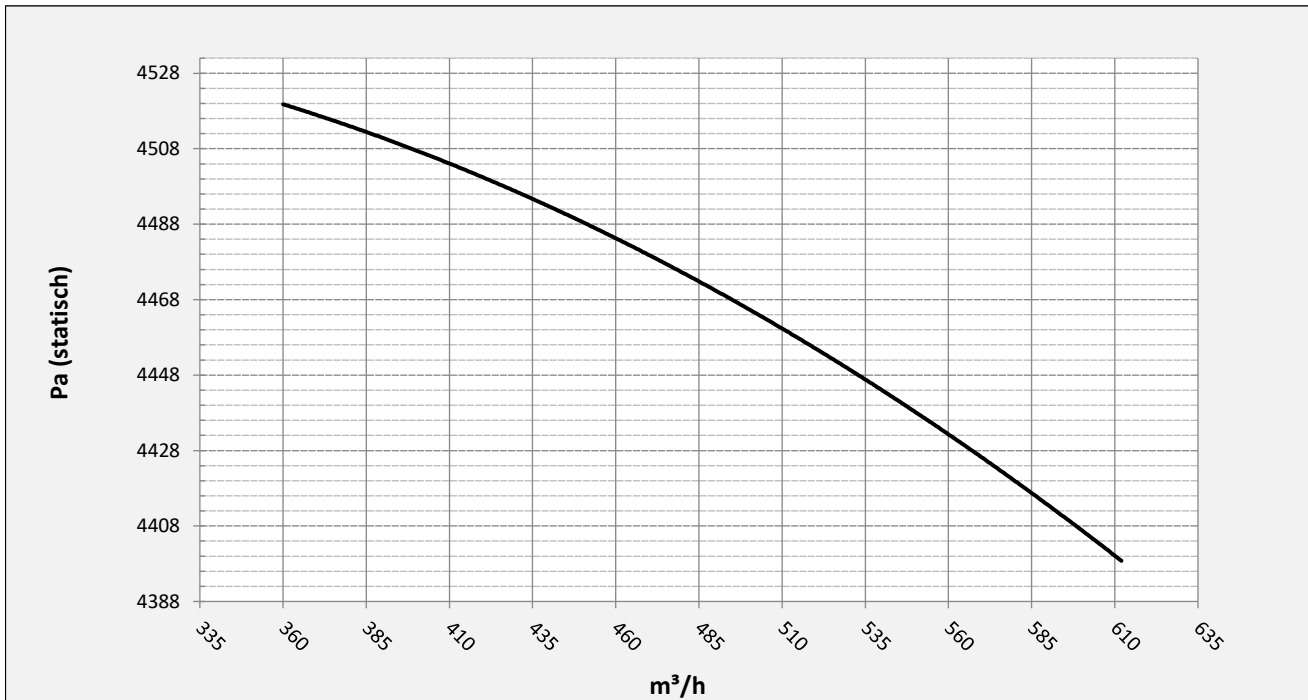
Drive	direct
Motor position	horizontal
Material casing/base	Steel
Material impeller/hub	Steel
Motorcoating/protection	RAL 7037
Operating temperature (max.)	15 (80) °C
Medium density (altitude 0 m)	1,226 kg/m <sup>3</sup>
Impeller speed	2870 rpm
Weight	76 kg
Sound pressure level ±3	82 dB(A)

*(at 1,5 m near the fan with inlet and outlet ducted, in free field)*

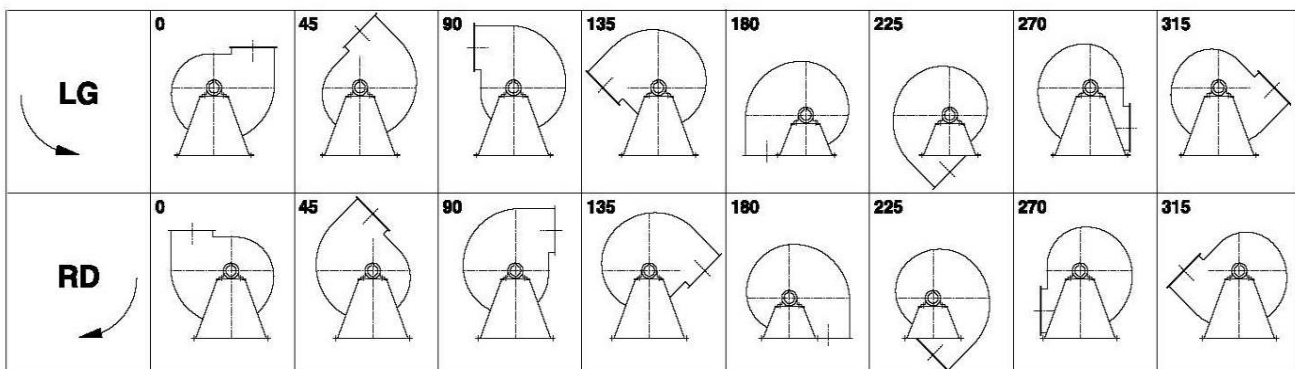
#### Electric motor:

	90L	IEC
Power	2,2	kW
Motor speed	2.870	rpm
Electric supply	3x400V50Hz	V/Hz
Full load current	4,43	A
Enclosure	55	IP
Shape	B3T	
Efficiency class	IE3	

Curve TF 501A @ 2870rpm @ 15°C @ 0m



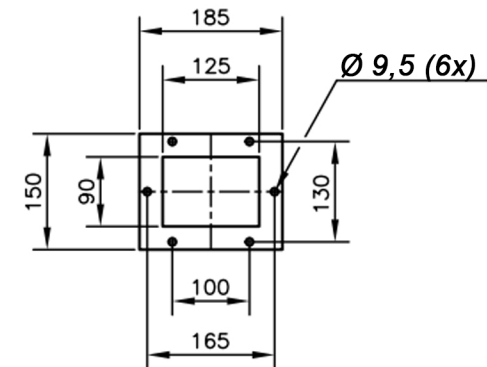
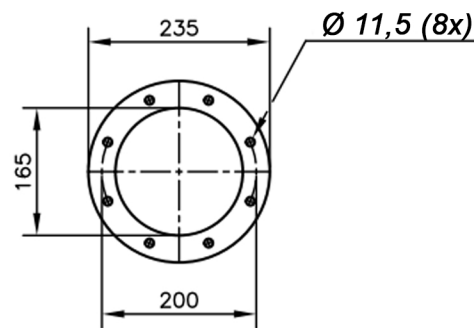
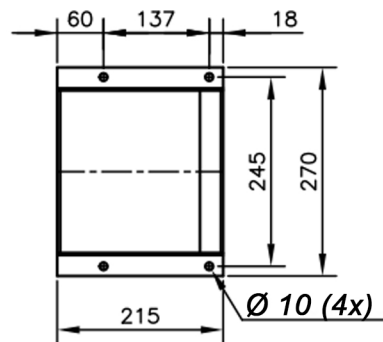
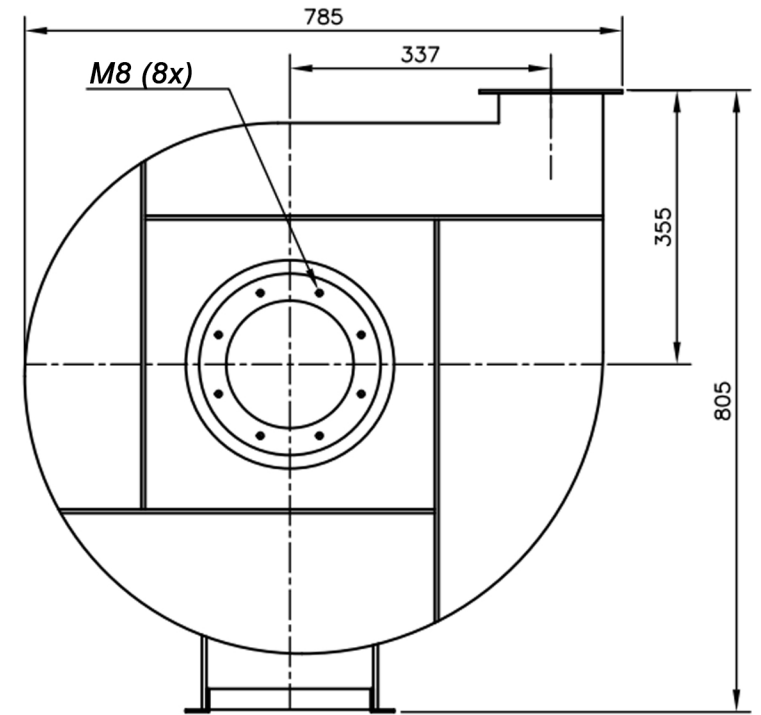
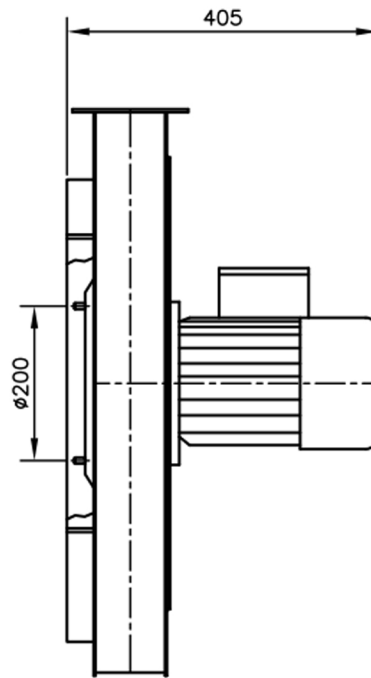
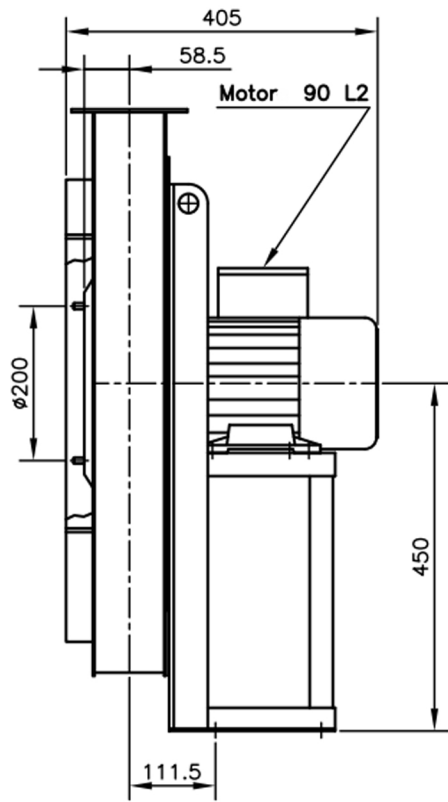
Possible discharge positions:




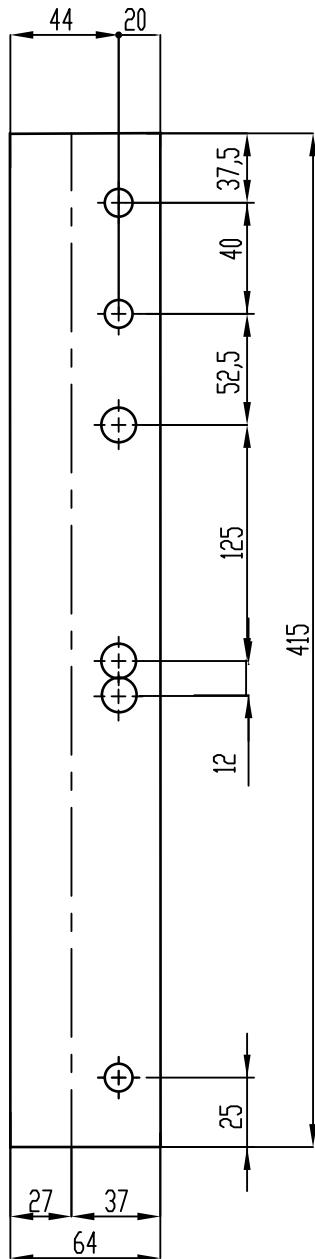
\* (Pos 180 and 225 extra price)

Possible accessories

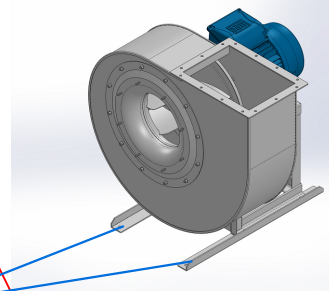
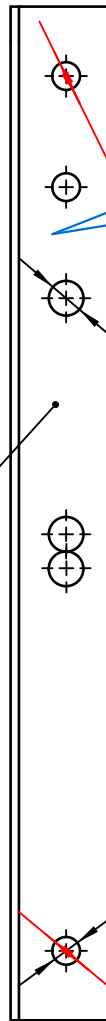
Mounting profiles for load distribution	STF037501ST
Counterflange inlet/outlet	zz Ø160 / pz 125x90
Flexible connection inlet/outlet max. 80°C	zz Ø200 / pz Ø200
Anti-vibration mountings	4x 30x20/B/40° ShA
Inspectiondoor	
Drain connection	
Shaft seal without asbestos	
Coolingwheel (medium max. 150°C)	( incl. coating RAL9006 )
Flexible connection inlet/outlet max. 150°C	zz Ø200 / pz Ø200
ATEX version	Zone 1 / 2 / 21 / 22
ATEX motor	Ex nA / Exe / Ex de
Coating suitable for outdoor application	RAL 5010 / RAL ....
Stainless steel version	304 / 316 / ...
Acoustic enclosure	



DESCRIPTION-BESCHRIJVING <b>TF501/A - RD0</b>	SCHAAL <b>1:10</b>	GEMAAKT - PREPARED <b>Overmeer E.</b>	FORMAAT <b>A4</b>
	DATUM <b>29/11/2023</b>		
N. TEKENING - N. DRAWING		REV.	
		<b>V1TF501/A</b>	
		<b>00</b>	



Sp. 30/10



Position Vibration damper

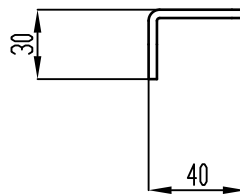
N° 1 Foro  $\phi$  12.5

n°1 PIEGA DX

n°1 PIEGA SX

N°3 Fori  $\phi$  10

Position Vibration damper



COMM.

N°

01	14/1/2020	PRIMA EMISSIONE		AL	AL
00	14/1/2016	PRIMA EMISSIONE		RK	RK
REV	DATA - DATE	DESCRIZIONE - DESCRIPTION		DISEGNATO PREPARED	CONTROLLATO CHECKED
DESCRIZIONE - DESCRIPTION		MATERIALE - MATERIAL	NR.FILE	PESD - WEIGHT	
		Fe 360	EUR00067971	Kg 0.45	
DESCRIZIONE - DESCRIPTION			SCALA	DISEGNATO - PREPARED	FORMATO
Staffe per Puffer L=415			1:2.5	AL	A4
IEC 80-90			DATA	SOSTITUISCE IL - REPLACES THE N°	
			14/1/2020	SOSTITUITO DAL - REPLACES BY N°	
			N.DISEGNO - N.DRAWING		REV.
			STF037501ST		01

