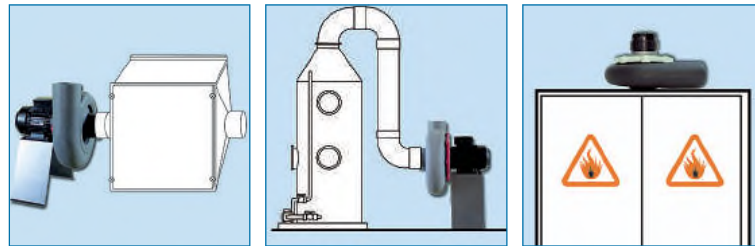


Specifications



Applications

Ventilation of safety cabinets (STORM 10), scrubbers, fume capture arms, filter housing, etc. (STORM 12, 14, 16).

Housings: PP*



Single block strong high density UV treated and recyclable polypropylene (PPH) with no air leakage. All fan mounting hardware in stainless steel. Rotatable to any of 8 standard discharge positions by 45° increments.

* with the exception of STORM 10: PE.

Wheels: PP



Forward curved centrifugal type impeller made of injection molded PPH. Fan wheel supplied with motor shaft bushing and hub cap constructed of PPH. Wheels electronically and dynamically balanced. LG/CCW rotation only.

Motors



Direct drive, asynchronous, single or three phase, IP55. Single speed: three phase 230/400V-50/60 Hz, single phase 230V-50Hz. Explosion proof motors available on request. Motor is outside the corrosive airstream. Three phase motors speed adjustable by variable frequency inverter drive. STORM 10 is also available with external rotor IP 20 motor for quiet performance.

Motor support

Several options: no stand, metal stand or polypropylene motor pedestal.



ATEX

STORM Series Fans are also available in ATEX Zone II, known outside Europe as explosion proof, category 3 G execution in accordance with ATEX directive 94/9/CE. ATEX declaration of conformity available on our web site www.seat-ventilation.com. The performances curves of explosion proof fans are identical with the ones of the standard version.

Performance

Fan performance based on tests conducted in accordance with AMCA 210-85 and ISO 5801.

Temperature resistance

PPH casing and wheel recommended up to 60°C.

Warranty

SEAT VENTILATION warrants its equipment to be free from defects in workmanship and material under normal use and service for two years after shipment. Warranty is void if damage results from improper wiring or installation.

Table of references

Single-phase series

	Motor RPMs	Power (kW)	Voltage (V)	Intensity (A)	Weight (kg)	Part number
STORM 10	1200	0,06	230	0,31	2,75	61102010RE
	1450	0,09	230	0,84	4,17	61102010
	2870	0,12	230	0,95	3,8	61103010
STORM 12	1450	0,18	230	1,4	7,84	61122010
	2870	0,37	230	2,52	7,54	61123010
STORM 14	2870	1,1	230	6,52	13,73	61143010

Three-phase series

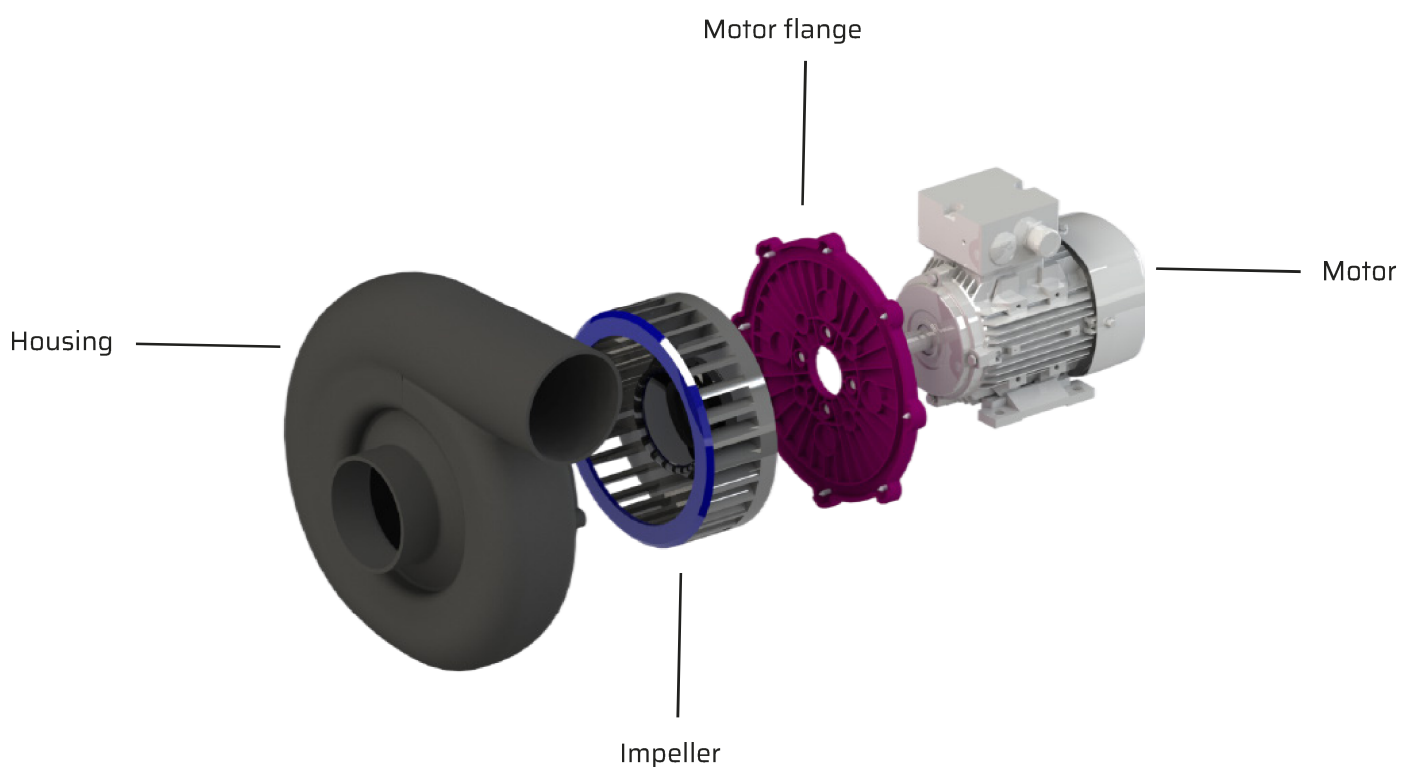
Asynchronous series

	Motor RPMs	Power (kW)	Voltage (V)	Intensity (A)	Weight (kg)	Part number
STORM 10	1450	0,09	230/400	0,79/0,45	4,17	61102000
	2870	0,12	230/400	0,63/0,36	4,17	61103000
STORM 12	1450	0,18	230/400	1,09/0,63	7,5	61122000
	2870	0,37	230/400	1,64/0,94	7,54	61123000
STORM 14	2870	1,1	230/400	4,02/2,31	13,3	61143000
STORM 16	2870	2,2	230/400	7,56/4,35	23,2	61163000

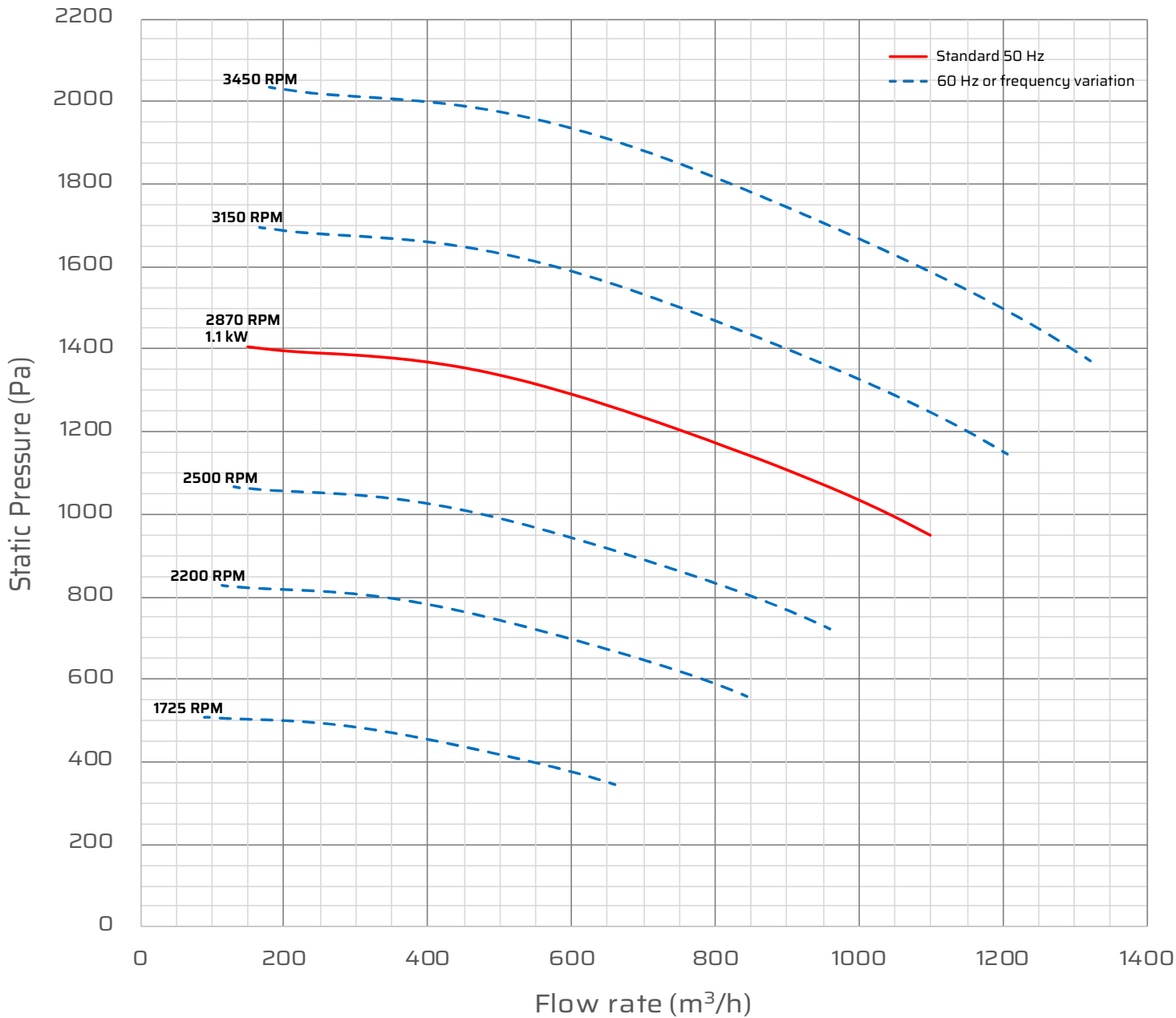
Explosion Resistant series

	Motor RPMs	Power (kW)	Voltage (V)	Intensity (A)	Weight (kg)	Part number
STORM 10	1450	0,06	230/400	0,59/0,34	6	61102003
	2870	0,09	230/400	0,69/0,4	6,2	61103003
STORM 12	1450	0,18	230/400	1,13/0,65	12	61122003
	2870	0,37	230/400	2,1/1,2	9,75	61123003
STORM 14	2870	1,1	230/400	4,5/2,6	13,2	61143003
STORM 16	2870	2,2	230/400	8,7/5	20,2	61163003

Exploded view



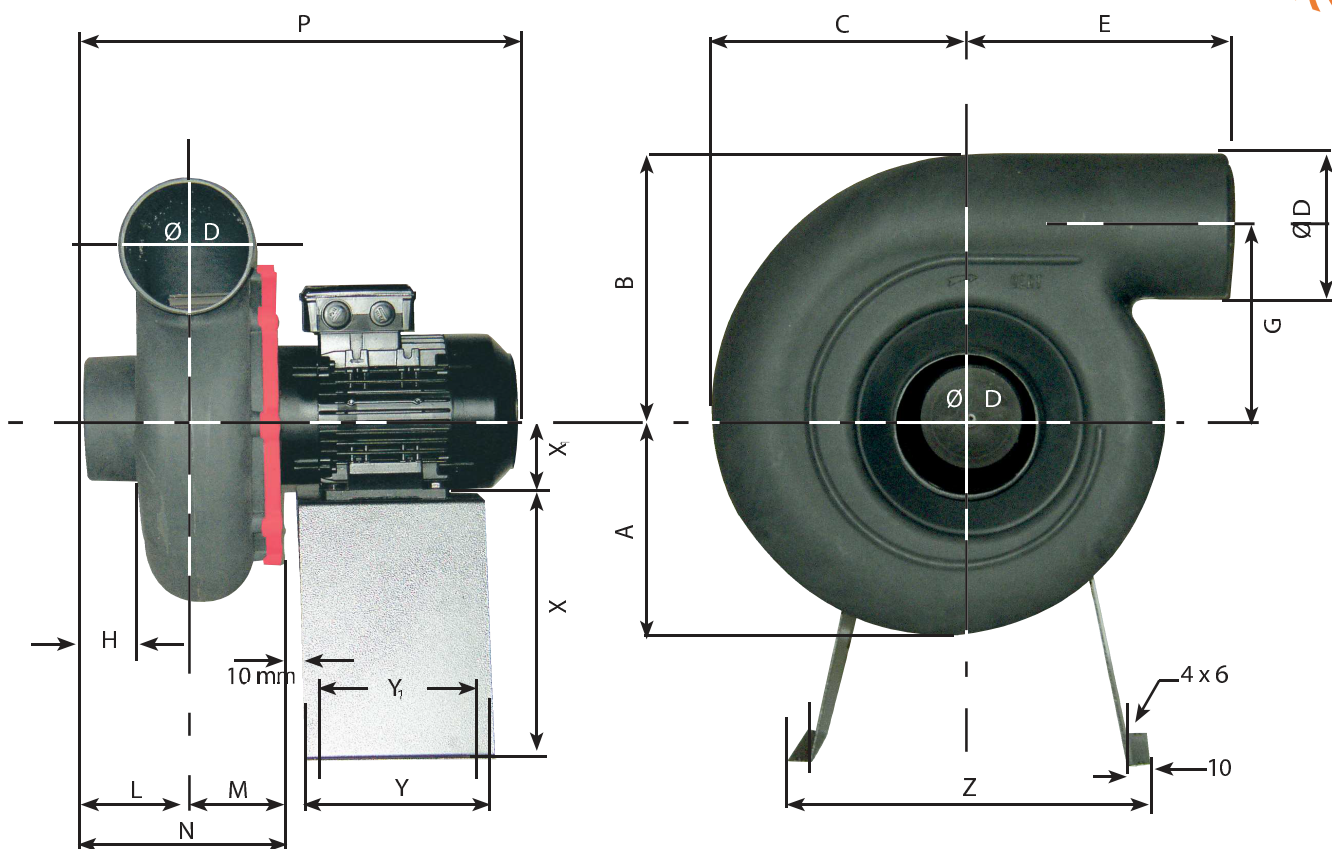
STORM 14



Inlet sound

	Q _v	SP	L _{wA}	L _{pA}	Octave band (Hz)							
RPM	(m ³ /h)	(Pa)	dB(A)	dB(A)	63	125	250	500	1000	2000	4000	8000
1725	468	418	79	59	93	84	83	76	73	66	68	56
2870	780	1155	90	70	104	95	94	87	84	77	79	67









* Acoustic pressure L_p at 3 meters - Outlet acoustic data available on request



LG POSITION ONLY

Available in ATEX version 

Dimensional data (mm)															
Metal stand is optional - Motor size may vary upon model															
A	B	C	ØD	E	G	H	L	M	N	P	Y	Y ₁	Z	X	X ₁
188	232	227	125	218	170	55	110	83	193	433	180	160	340	240	80

Discharge positions - View from inlet side							
							
LG 0	LG 45	LG 90	LG 135	LG 180	LG 225	LG 270	LG 315