

SC951MF15T-IE2 - SC951MF20T-IE2
SC951MF25T-IE2



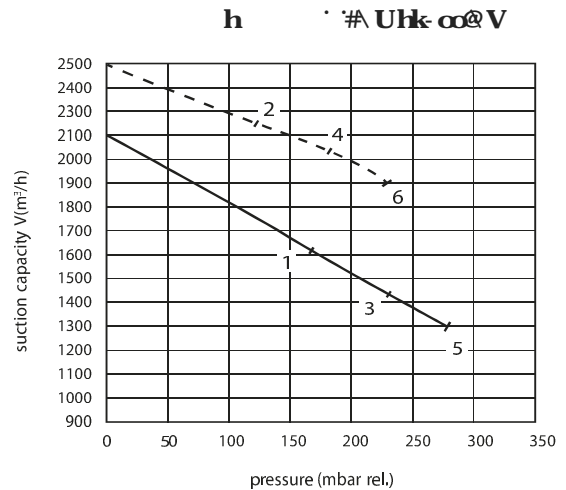
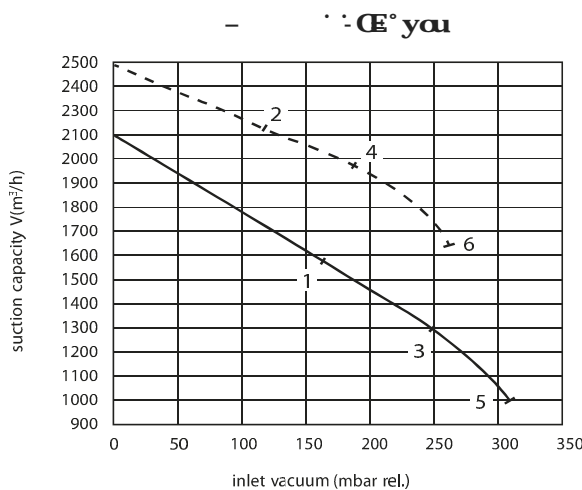
Ook leverbaar in ATEX uitvoering
Also available in ATEX version



De constructie van de ringventilatoren is gebaseerd op het principe van de zijkanalen. De ventilatoren kunnen zowel als afzuig- of als compressieventilator werken en zijn ontworpen voor continu gebruik. Het apparaat wordt direct op de motoras gemonteerd. Alle draaiende delen zijn dynamisch uitgebalanceerd om absolute afwezigheid van trillingen te garanderen. Volledig gegoten aluminium constructie voor maximale stevigheid en gebruiksgemak.

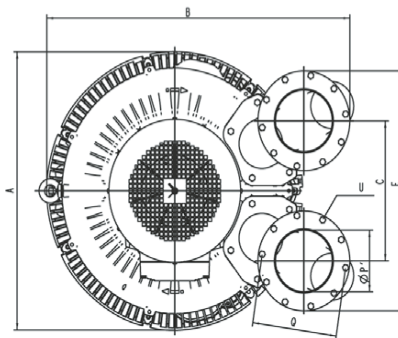
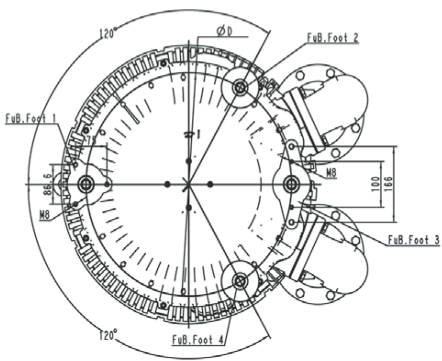
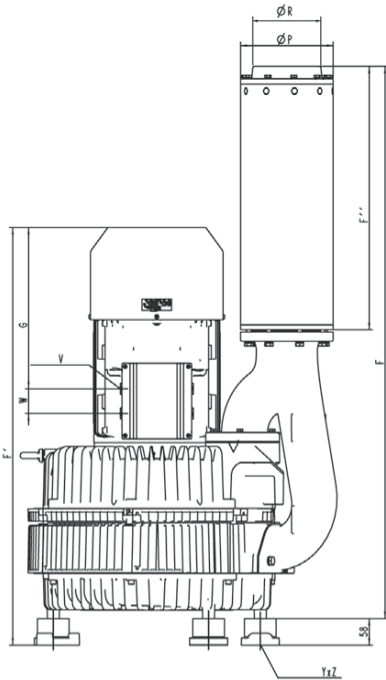
Construction of the ring blowers fans is based on the lateral ducts principle. The blowers can operate as either exhaust or compression fans and are designed for continuous service. The device is assembled directly on the motor shaft. All the rotating parts are dynamically balanced to ensure absolute absence of vibration. Full die-cast aluminium construction for maximum sturdiness and ease of handling.

Curve n.	Model n.	Frequency (Hz)	Output power (kW)	Voltage (V)	Rated current (A)	Noise dB (A)	Weight (Kg)
1	SC951MF15T-IE2	50	15.0	400/690	31.2 Δ/18.0Y	75	220
2	SC951MF15T-IE2	60	17.5	460/720	29.4 Δ/16.9Y	84	220
3	SC951MF20T-IE2	50	20.0	400/690	34.7 Δ/20.0Y	75	230
4	SC951MF20T-IE2	60	23.0	460/720	34.1 Δ/19.6Y	84	230
5	SC951MF25T-IE2	50	25.0	400/690	44.5Δ/25.8Y	75	235
6	SC951MF25T-IE2	60	29.0	460/720	44.6Δ/28.5Y	84	235



The characteristic data given here refer to the handling of gas with inlet temperature of 15° C, normal density of 1,23 kg/m³ and absolute pressure of 1.013 mbar. Tolerance of ±10%. The data may change without any notification.

Dimensions = mm



	Phase	A	B	C	D	E	F	F'	F''	G	P	P'	Q	R	S	U	V	W	YxZ	X-holes
SC951MF15T-IE2	3~	615	723	307	490	526	1201	848	578	291	219	135	201	G5"	58	M8x40	4xM40x1.5	54	M12x10.5	0°/120°/240°
SC951MF20T-IE2	3~	615	723	307	490	526	1201	848	578	291	219	135	201	G5"	58	M8x40	4xM40x1.5	54	M12x10.5	0°/120°/240°
SC951MF25T-IE2	3~	615	723	307	490	526	1201	908	578	351	219	135	201	G5"	58	M8x40	4xM40x1.5	54	M12x10.5	0°/120°/240°

Dimensions in mm. Tolerance on given values ±10 % - unbinding and can be changed without prior notice.